



MANUFACTURED BY:
Backyard Discovery
 3305 Airport Drive, Pittsburg, KS 66762
 800-856-4445

Basepoint Business Centre: Rivermead Drive, Westlea, Swindon SN5 7EX Phone: 0800-118-2476
 J.P. Coenstraat 7, The Hague, 2595 WP, Netherlands Phone: 0800-567-8990

LIBERTY II

Swing Set

Model # 44215

The assembly manual must be retained since it contains important information



WARNING
Adult Assembly Required.
Not suitable for children under 36 months due to small parts.
FOR DOMESTIC USE ONLY. INTENDED FOR OUTDOOR USE.



Please visit www.backyarddiscovery.com

For the most up to date assembly manual, to register your set, or to order replacement parts
Para obtener instrucciones en español, visite www.backyarddiscovery.com



EASY STEP-BY-STEP
3D INTERACTIVE INSTRUCTIONS
 DOWNLOAD THE FREE APP

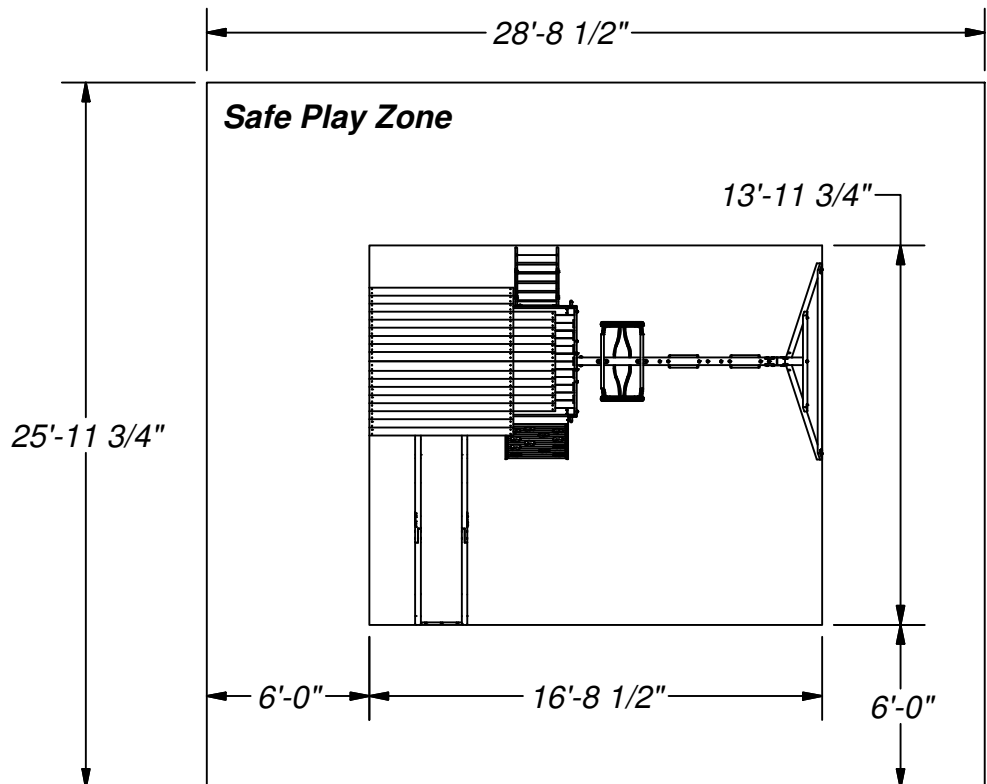


INSTALLATION SERVICES AVAILABLE!
See inside for details

Made in China
 INS-44215-A-LIBERTY-ENG 03-18-2022

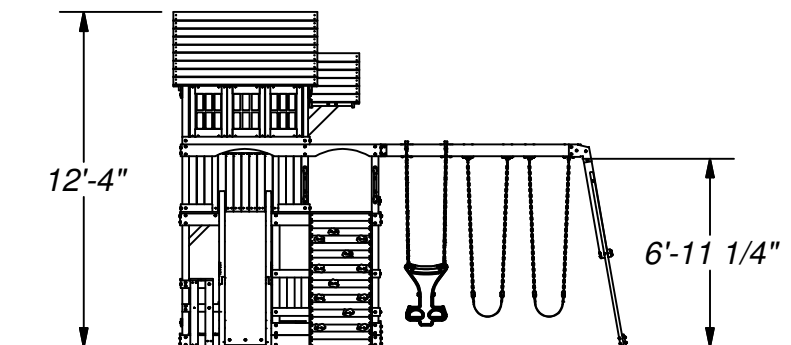
Basic Setup Dimensions

Place the set on level ground, not less than 6 ft [2 m] from any structure or obstruction such as a fence, garage, house, overhanging branches, laundry lines, or electrical wires.



General Information:

Your set has been designed and engineered for children only and for residential use only.
A maximum of 150 lbs. per child is recommended for play activities designed for individual use.
A maximum of 120 lbs. per child is recommended for play activities designed for multiple child use.
A maximum of 9 children is recommended for this swing set.



Important Assembly Notes

Safe play height: 18'-4" [5.6 m]
Maximum fall height: 6'-11 1/4" [2.1 m]

- 1) While assembling unit, take time before and after each phase to make sure fort is level. If fort is not level, assembly will be difficult and improper assembly may result. Extra care must be taken to ensure the fort is square.
- 2) Tighten bolts securely, tighten nuts on bolts flush to the tube or member.
- 3) Pay close attention to the ITEMS NEEDED FOR EACH PHASE. They can be a valuable aid when sorting your wood and hardware. Assembly will be made easier if items are sorted by phase.
- 4) Pay close attention to make sure you are using the correct hardware in the correct phases. Using incorrect hardware may result in improper assembly.
- 5) Whenever a T-nut is used, follow these directions. Place T-nut in pre-drilled hole. Tap in with hammer. Place bolt with washers in the opposite side. Hand tighten to make sure the bolt is in the T-nut. DO NOT over tighten.
- 6) Read the steps of each phase thoroughly. The written steps may include important information not shown in the illustrations.

Parts Identification

Wood Components

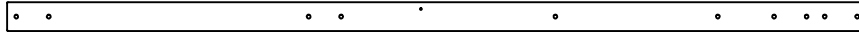
(NOT TO SCALE)



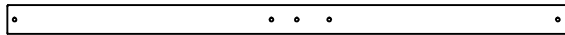
(1) **A50 - SWING BEAM - W4L11733**
3 3/8"x5 1/4"x89 1/2" (86x134x2274)



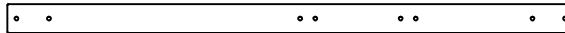
(1) **B1 - PORCH UPRIGHT - W4L03508**
3"x3"x89 1/2" (76x76x2274)



(1) **B2 - PORCH UPRIGHT - W4L05692**
3"x3"x89 1/2" (76x76x2274)



(2) **B4 - FORT UPRIGHT - W4L05684**
3"x3"x59" (76.0x76.0x1500.0)



(1) **B5 - LOWER UPRIGHT - W100998**
3"x3"x59" (76.0x76.0x1500.0)



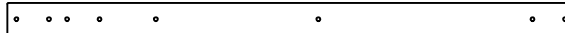
(1) **B6 - FORT UPRIGHT - W4L05686**
3"x3"x59" (76.0x76.0x1500.0)



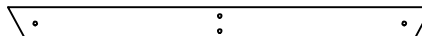
(1) **B7 - LOWER UPRIGHT - W101033**
3"x3"x59" (76.0x76.0x1500.0)



(1) **B8 - FORT UPRIGHT - W4L05685**
3"x3"x59" (76.0x76.0x1500.0)



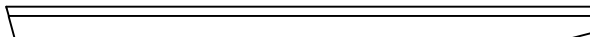
(2) **E1 - CENTER UPRIGHT - W4L05650**
3 3/8"x1 3/8"x59" (86.0x36.0x1500.0)



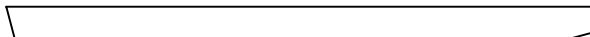
(1) **E50 - END SUPPORT - W100949**
1 3/8"x3 3/8"x44 1/8" (36x86x1120)



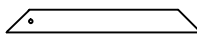
(2) **E51 - ANGLE BRACE - W100948**
1 3/8"x3 3/8"x88 3/4" (36x86x2254)



(1) **E72 - LEFT RAIL - W100036**
1 3/8"x3 3/8"x61 3/4" (36x86x1570)



(1) **E73 - RIGHT RAIL - W100037**
1 3/8"x3 3/8"x61 3/4" (36x86x1570)



(8) **F1 - ANGLE BRACE - W4L05660**
1 3/8"x2 3/8"x20 1/4" (36x60x514)

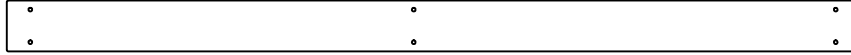
Parts Identification

Wood Components

(NOT TO SCALE)



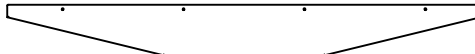
G1 - FORT RAIL - W4L05694
(2) 1"x5 1/4"x47 1/8" (24x134x1198)



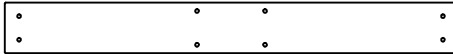
G3 - GROUND BOARD - W4L05651
(2) 1"x5 1/4"x88 7/8" (24.0x134.0x2256.0)



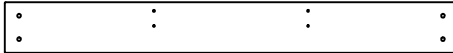
G4 - FLOOR SUPPORT - W4L05673
(2) 1"x5 1/4"x55 7/8" (24.0x134.0x1418.0)



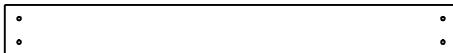
G5 - BAY WINDOW HEADER - W101040
(4) 1"x5 1/4"x49 3/8" (24.0x134.0x1254.0)



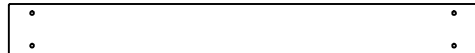
G6 - SWING BEAM SUPPORT - W101015
(1) 1"x5 1/4"x47 1/8" (24.0x134.0x1198.0)



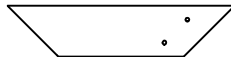
G8 - GROUND BOARD - W101000
(1) 1"x5 1/4"x47 1/8" (24.0x134.0x1198.0)



G9 - GROUND BOARD/FORT RAIL - W101035
(2) 1"x5 1/4"x47 1/8" (24.0x134.0x1198.0)



G10 - FORT RAIL - W4L05652
(2) 1"x5 1/4"x49" (24.0x134.0x1246.0)



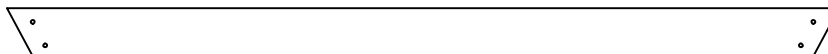
G11 - AWNING SUPPORT - W101072
(2) 1"x5 1/4"x23 5/8" (24.0x134.0x600.0)



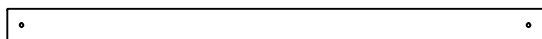
G12 - FORT RAIL - W4L05653
(2) 1"x5 1/4"x47 1/8" (24.0x134.0x1198.0)



G13 - GROUND BOARD - W4L05655
(1) 1"x5 1/4"x47 1/8" (24.0x134.0x1198.0)



G50 - GROUND BOARD - W100947
(1) 1"x5 1/4"x86 3/4" (24x134x2202)



H2 - WALL RAIL - W4L05666
(2) 1"x3 3/8"x56 1/2" (24.0x86.0x1434.0)

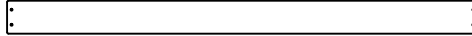
Parts Identification

Wood Components

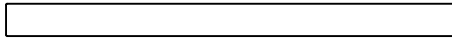
(NOT TO SCALE)



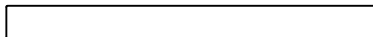
- (1) **H3 - RAFTER BOARD - W4L05675**
0.945 in"x3 3/8"x30"(24x86x762)



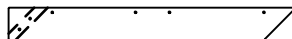
- (2) **H4 - PICNIC TABLE / SEAT - W101060**
1"x3 3/8"x49" (24.0x86.0x1246.0)



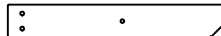
- (2) **H5 - FLOOR SUPPORT - W101038**
1"x3 3/8"x47 1/8" (24.0x86.0x1198.0)



- (2) **H6 - FLOOR SUPPORT - W101036**
1"x3 3/8"x38 7/8" (24.0x86.0x986.0)



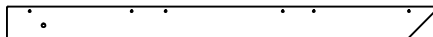
- (1) **H7 - RAFTER BOARD - W4L05680**
1"x3 3/8"x30"(24x86x762)



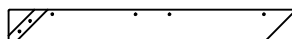
- (2) **H8 - PICNIC TABLE SEAT SUPPORT - W101056**
1"x3 3/8"x22 7/8" (24.0x86.0x580.0)



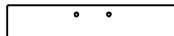
- (2) **H9 - PICNIC TABLE SUPPORT - W4L05669**
1"x3 3/8"x14 1/4" (24.0x86.0x362.0)



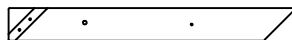
- (4) **H10 - ROOF TRUSS - W4L05677**
1"x3 3/8"x45 1/8" (24.0x86.0x1146.0)



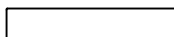
- (1) **H11 - RAFTER BOARD - W4L05679**
1"x3 3/8"x30" (24.0x86.0x762.0)



- (2) **H12 - AWNING CROSS BRACE - W4L05672**
1"x3 3/8"x18" (24.0x86.0x456.0)



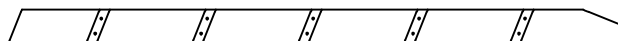
- (1) **H13 - RAFTER BOARD - W4L05674**
1"x3 3/8"x30" (24.0x86.0x762.0)



- (5) **H76 - LADDER RUNG - W100611**
1"x3 3/8"x18 1/8" (24x86x460)



- (1) **H77 - LEFT UPRIGHT - W100972**
1"x3 3/8"x64 3/8" (24x86x1634)



- (1) **H78 - RIGHT UPRIGHT - W100973**
1"x3 3/8"x64 3/8" (24x86x1634)

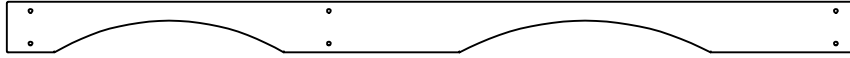
Parts Identification

Wood Components

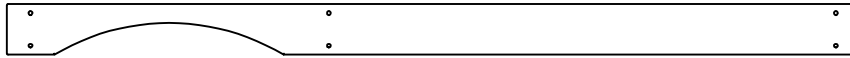
(NOT TO SCALE)



(6) **J1 - FLOOR SUPPORT - W101037**
1"x2 3/8"x3" (24x60x76)



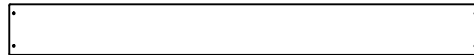
(1) **K1 - ARCHED WALL RAIL - W4L05665**
5/8"x5 1/4"x88 1/2" (16.0x134.0x2248.0)



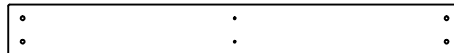
(1) **K2 - WALL RAIL SINGLE ARCH - W4L05659**
5/8"x5 1/4"x88 1/2" (16.0x134.0x2248.0)



(1) **K3 - CENTER WALL BOARD - W101027**
5/8"x5 1/4"x52" (16.0x134.0x1320.0)



(2) **K4 - PICNIC TABLE BOARD - W101059**
5/8"x5 1/4"x49" (16.0x134.0x1246.0)



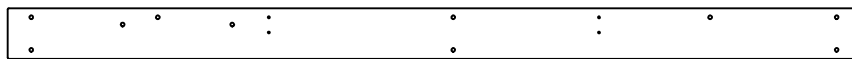
(1) **K5 - WALL BOARD - W101063**
5/8"x5 1/4"x47 1/8" (16.0x134.0x1198.0)



(1) **K7 - WALL BOARD - W101074**
5/8"x5 1/4"x47 1/8" (16.0x134.0x1198.0)



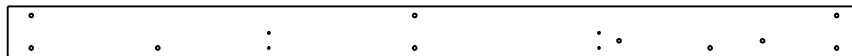
(2) **K8 - TRIANGLE SUNBURST - W4L05681**
5/8"x5 1/4"x10 1/2" (16x134x268)



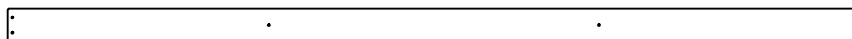
(1) **K9 - FLOOR RAIL - W4L05656**
5/8"x5 1/4"x88 7/8" (16x134x2256)



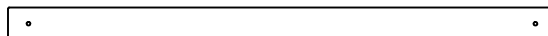
(1) **K10 - FORT RAIL - W4L05671**
5/8"x5 1/4"x47 1/8" (16.0x134.0x1198.0)



(1) **K11 - FLOOR RAIL - W4L05657**
5/8"x5 1/4"x88 7/8" (16.0x134.0x2256.0)



(12) **M1 - FLOOR BOARD - W4L05695**
5/8"x3 3/8"x88 7/8" (16.0x86.0x2256.0)

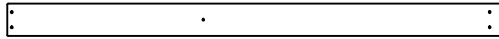


(1) **M2 - WALL RAIL - W4L05668**
5/8"x3 3/8"x57 1/8" (16.0x86.0x1450.0)

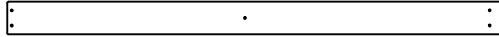
Parts Identification

Wood Components

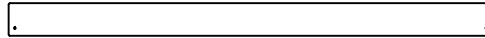
(NOT TO SCALE)



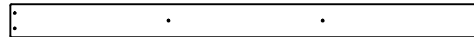
- (4) **M3 - CABIN WALL SLAT - W101022**
5/8"x3 1/2"x52" (16.0x86.0x1320.0)



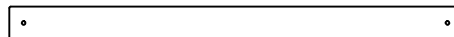
- (2) **M4 - WALL BOARD - W101029**
5/8"x3 3/8"x52" (16.0x86.0x1320.0)



- (2) **M5 - GABLE BOARD - W101051**
5/8"x3 3/8"x50 3/8" (16.0x86.0x1280.0)



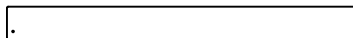
- (9) **M6 - FLOOR BOARD - W101007**
5/8"x3 3/8"x49" (16.0x86.0x1246.0)



- (6) **M7 - WALL RAIL - W101019**
5/8"x3 3/8"x47 1/8" (16.0x86.0x1198.0)



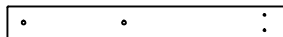
- (2) **M8 - GABLE BOARD - W101052**
5/8"x3 3/8"x43 3/4" (16.0x86.0x1110.0)



- (2) **M9 - GABLE BOARD - W101053**
5/8"x3 3/8"x37" (16.0x86.0x940.0)



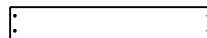
- (2) **M10 - PICNIC TABLE BACK LEG - W101064**
5/8"x3 3/8"x29 1/2" (16.0x86.0x748.0)



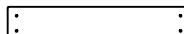
- (2) **M11 - PICNIC TABLE CENTER LEG - W101057**
5/8"x3 3/8"x29 1/2" (16.0x86.0x748.0)



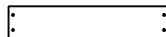
- (19) **M12 - CABIN WALL SLAT - W101024**
5/8"x3 3/8"x26 1/8" (16.0x86.0x664.0)



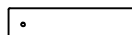
- (7) **M13 - PORCH PICKET - W101003**
5/8"x3 3/8"x21 1/8" (16.0x86.0x536.0)



- (2) **M14 - PICNIC TABLE FRONT LEG - W101061**
5/8"x3 3/8"x19" (16.0x86.0x482.0)



- (24) **M15 - PICKET - W101055**
5/8"x3 3/8"x16 3/4" (16.0x86.0x424.0)

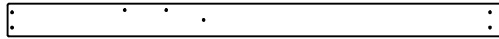


- (4) **M16 - WALL RAIL - W101021**
5/8"x3 3/8"x13 1/4" (16.0x86.0x338.0)

Parts Identification

Wood Components

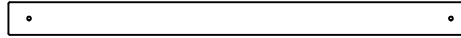
(NOT TO SCALE)



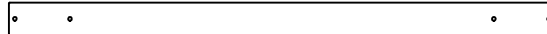
- (2) **M17 - CABIN WALL SLAT - W4L05661**
5/8"x3 1/2"x52" (16.0x86.0x1320.0)



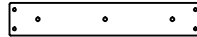
- (2) **M18 - WALL RAIL - W4L05667**
5/8"x3 3/8"x13 7/8" (16.0x86.0x354.0)



- (4) **M19 - WALL RAIL - W4L05654**
5/8"x3 3/8"x47 3/4" (16.0x86.0x1214.0)



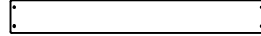
- (2) **M20 - ROOF RAIL - W4L05670**
5/8"x3 3/8"x56 7/8" (16.0x86.0x1446.0)



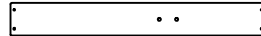
- (1) **M70 - SLIDE BED SUPPORT - W100935**
5/8"x3 3/8"x19 7/8" (16x86x505)



- (1) **M73 - REAR SUPPORT - W100610**
5/8"x3 3/8"x19 1/4" (16x86x488)



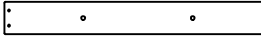
- (10) **M74 - ROCK WALL BOARD - W100987**
5/8"x3 3/8"x26 5/8" (16x86x675)



- (4) **M75 - ROCK WALL BOARD - W4L05240**
5/8"x3 3/8"x26 5/8" (16x86x675)



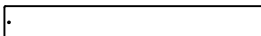
- (4) **M76 - ROCK WALL BOARD - W4L05239**
5/8"x3 3/8"x26 5/8" (16x86x675)



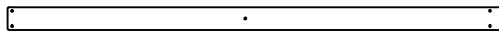
- (1) **M102 - ATTACHMENT BOARD - W4L05242**
5/8"x3 3/8"x27 7/8" (16x86x707)



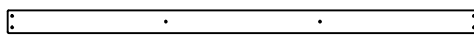
- (1) **M107 - ATTACHMENT BOARD - W103559**
5/8"x3 3/8"x19 1/4" (16x86x488)



- (1) **M108 - TOP BOARD - W103105**
5/8"x3 3/8"x27 7/8" (16x86x707)



- (2) **N1 - WALL BOARD - W101028**
5/8"x2 3/8"x52" (16.0x60.0x1320.0)

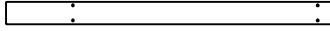


- (2) **N2 - FLOOR BOARD - W101044**
5/8"x2 3/8"x49" (16.0x60.0x1246.0)

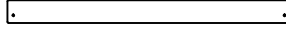
Parts Identification

Wood Components

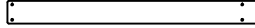
(NOT TO SCALE)



- (10) **N3 - WALL BOARD - W101030**
5/8"x2 3/8"x34 1/8" (16.0x60.0x868.0)



- (1) **N4 - SUNBURST CROSS SPOKE - W101047**
5/8"x2 3/8"x29 1/2" (16.0x60.0x750.0)



- (2) **N5 - WALL BOARD - W101026**
5/8"x2 3/8"x26 1/8" (16.0x60.0x664.0)



- (1) **N7 - SUNBURST VERTICAL SPOKE - W101049**
5/8"x2 3/8"x13 1/2" (16.0x60.0x342.0)



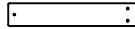
- (2) **N8 - SUNBURST ANGLED SPOKE - W101050**
5/8"x2 3/8"x7 7/8" (16.0x60.0x200.0)



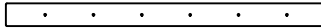
- (4) **N9 - GABLE TRIM - W4L05663**
5/8"x2 3/8"x7 7/8" (16x60x200)



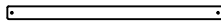
- (2) **N10 - SUNBURST CROSS SPOKE - W4L05662**
5/8"x2 3/8"x29 1/2" (16.0x60.0x750.0)



- (2) **N11 - GABLE TRIM - W4L05664**
5/8"x2 3/8"x13 1/2" (16x60x342)



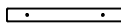
- (2) **N12 - ROOF SUPPORT - W4L05676**
5/8"x2 3/8"x33 3/8" (16x60x848)



- (4) **O1 - BAY WINDOW END CAP - W101039**
5/8"x1 3/8"x22 1/2" (16.0x34.0x570.0)



- (1) **O2 - PICNIC TABLE SUPPORT - W101066**
5/8"x1 3/8"x13 3/8" (16.0x34.0x340.0)



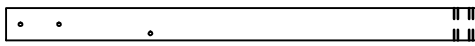
- (2) **O3 - WINDOW RAIL - W101002**
5/8"x1 3/8"x12 1/8" (16.0x34.0x308.0)



- (1) **O4 - PICNIC TABLE SEAT SUPPORT - W101065**
5/8"x1 3/8"x6 3/4" (16.0x34.0x172.0)



- (2) **Q1 - SANDBOX SEAT - W4L05693**
1"x4 3/8"x22 1/2" (24x112x572)

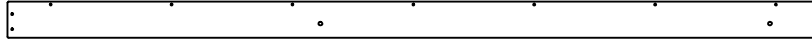


- (1) **SP50 - SWING BEAM SUPPORT - W102417**
3 3/8"x3 3/8"x49 3/8" (86x86x1254)

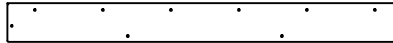
Parts Identification

Wood Components

(NOT TO SCALE)



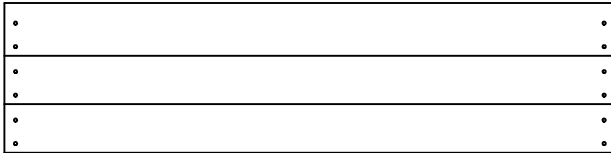
(2) **Y1 - OUTER FLOOR BOARD - W4L05658**
5/8"x3 3/4"x84 7/8" (16x96x2156)



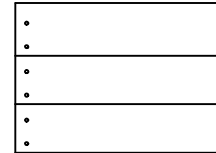
(1) **Y2 - OUTER FLOOR BOARD - W101034**
5/8"x4"x41 1/8" (16.0x102.0x1046.0)



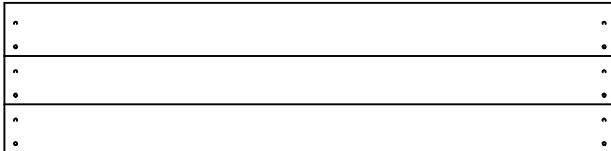
(1) **Y3 - PICNIC TABLE BOARD - W101062**
5/8"x4"x41 1/8" (16.0x102.0x1044.0)



(2) **RP1 - ROOF PANEL - W2A01770**
1 5/8"x15 5/8"x63 3/4" (42x396x1618)



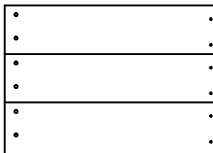
(1) **RP3 - ROOF PANEL - W2A01772**
1 5/8"x15 5/8"x22" (42x396x558)



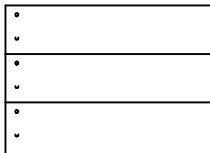
(4) **RP2 - ROOF PANEL - W2A01771**
1 5/8"x15 5/8"x63 3/4" (42x396x1618)



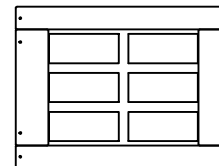
(1) **RP4 - ROOF PANEL - W2A01773**
1 5/8"x15 5/8"x22" (42x396x558)



(1) **RP5 - ROOF PANEL - W2A01774**
1 5/8"x15 5/8"x22" (42x396x558)



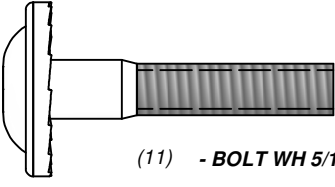
(1) **RP6 - ROOF PANEL - W2A01775**
1 5/8"x15 5/8"x22" (42x396x558)



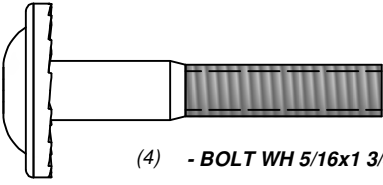
(6) **WP1 - WINDOW PANEL - W2A01776**
7/8"x16 3/4"x22 1/2" (21x426x570)

Parts Identification

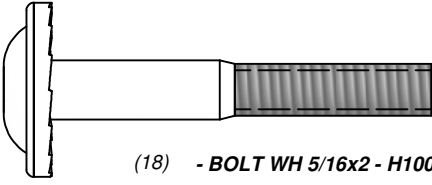
Hardware



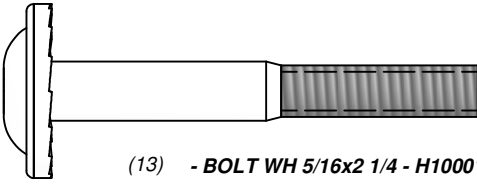
(11) - BOLT WH 5/16x1 1/2 - H100010



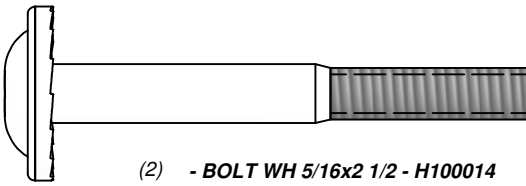
(4) - BOLT WH 5/16x1 3/4 - H100011



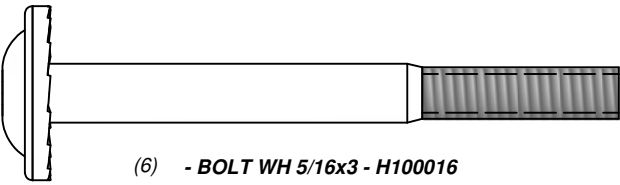
(18) - BOLT WH 5/16x2 - H100012



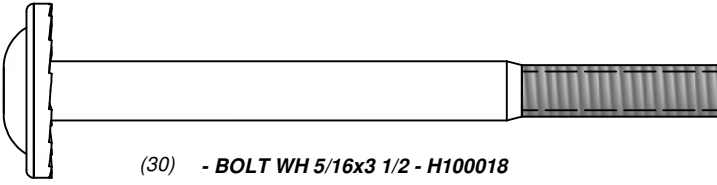
(13) - BOLT WH 5/16x2 1/4 - H100013



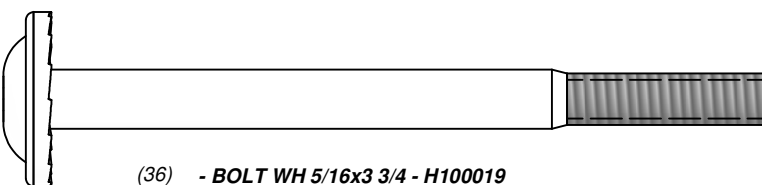
(2) - BOLT WH 5/16x2 1/2 - H100014



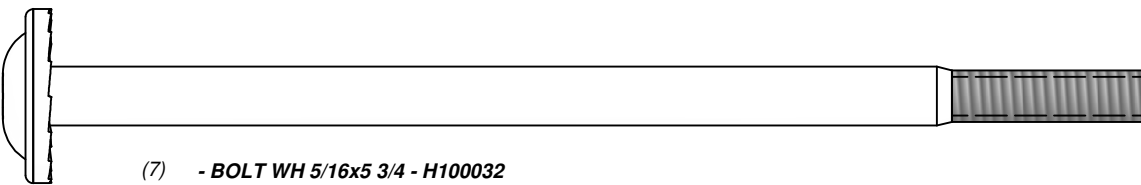
(6) - BOLT WH 5/16x3 - H100016



(30) - BOLT WH 5/16x3 1/2 - H100018



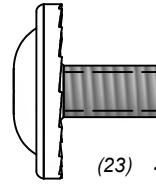
(36) - BOLT WH 5/16x3 3/4 - H100019



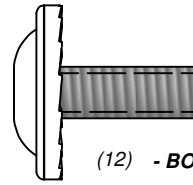
(7) - BOLT WH 5/16x5 3/4 - H100032



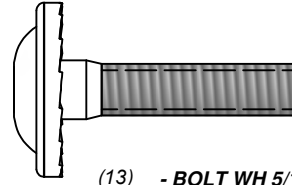
(1) - BOLT WH 5/16x6 - H100023



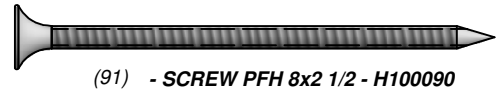
(23) - BOLT WH 5/16x1/2 - H100115



(12) - BOLT WH 5/16x3/4 - H100222



(13) - BOLT WH 5/16x1 1/4 - H100009



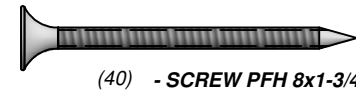
(91) - SCREW PFH 8x2 1/2 - H100090



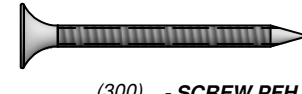
(35) - SCREW PFH 8x2 1/4 - H100091



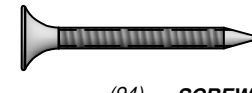
(30) - SCREW PFH 8x2 - H100111



(40) - SCREW PFH 8x1-3/4 - H100089



(300) - SCREW PFH 8x1-1/2 - H100086



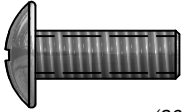
(94) - SCREW PFH 8x1-1/4 - H100087



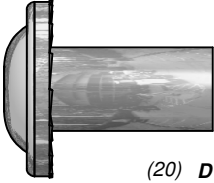
(339) - SCREW PFH 8x1-1/8 - H100088

Parts Identification

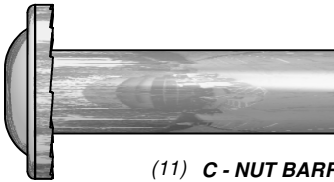
Hardware



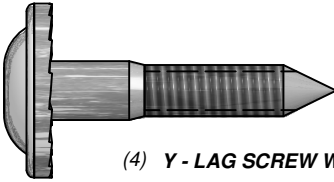
(26) BA - BOLT PTH 1/4x3/4 - H100063



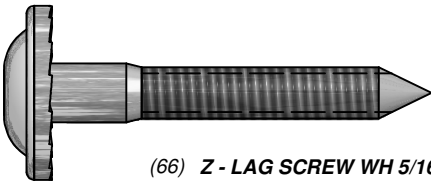
(20) D - NUT BARREL WH 5/16x7/8 - H100005



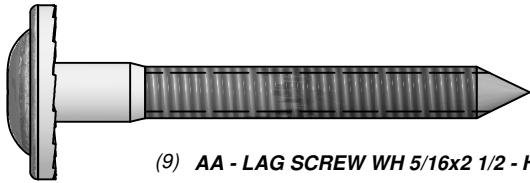
(11) C - NUT BARREL WH 5/16x1 1/2 - H100006



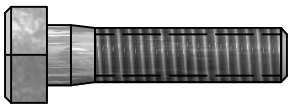
(4) Y - LAG SCREW WH 5/16x1 1/2 - H100026



(66) Z - LAG SCREW WH 5/16x2 - H100027



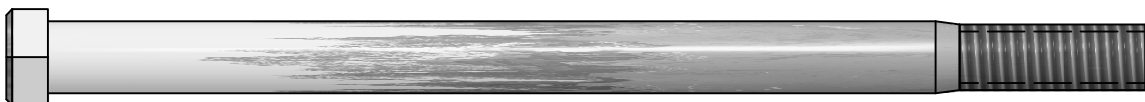
(9) AA - LAG SCREW WH 5/16x2 1/2 - H100028



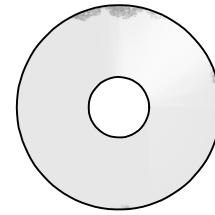
(4) AJ - BOLT HEX 5/16x1 1/4 - H100042



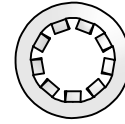
(2) AS - BOLT HEX 5/16x4 1/4 - H100054



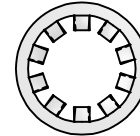
(9) AT - BOLT HEX 3/8x5 3/4 - H100056



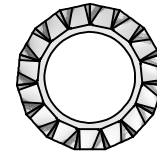
(19) CD - WASHER FLAT 8x27 - H100105



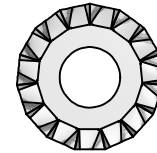
(26) CG - WASHER LOCK INT 8x15 - H100108



(9) CF - WASHER LOCK INT 10x18 - H100107



(16) AD - WASHER LOCK EXT 12x19 - H100031



(195) AC - WASHER LOCK EXT 8x19 - H100030



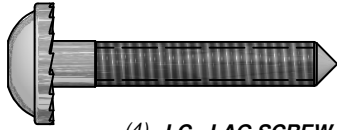
(7) BX - WASHER SPLIT 5/16 - H100095



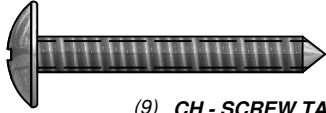
(13) CJ - NUT LOCK 5/16 - H100110

Parts Identification

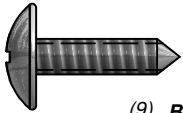
Hardware



(4) **LC - LAG SCREW WH 1/4x1-1/2 - H100145**



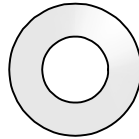
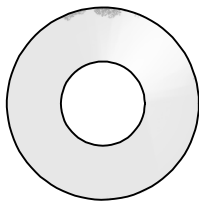
(9) **CH - SCREW TAPPING 14x1-1/2 - H100109**



(9) **BL - SCREW TAPPING 14x3/4 - H100083**

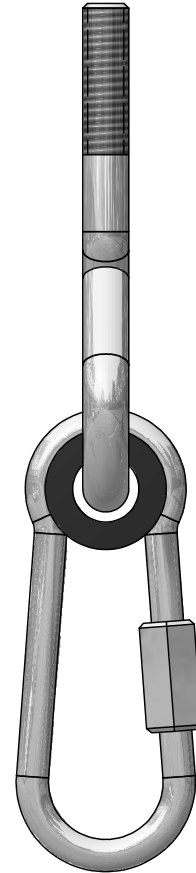


(15) **CY - SCREW PWH 8x5/8 - H100128**

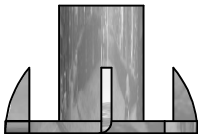


(9) **CE - WASHER FLAT 9x18 - H100106**

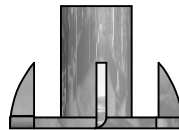
(9) **CA - WASHER FLAT 11x25 - H100102**



(4) **BY - SWING HANGER QUICK LINK - H100097**



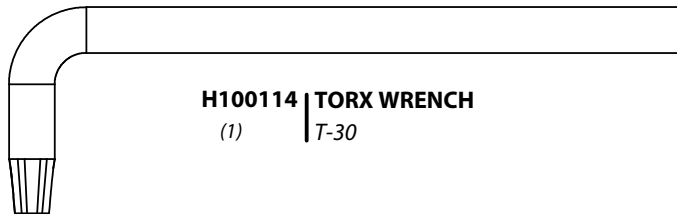
(9) **BF - T-NUT 3/8 - H100073**



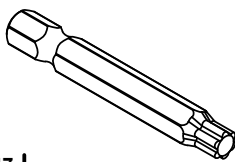
(118) **BG - T-NUT 5/16 - H100074**



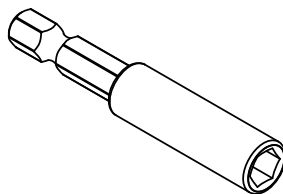
(26) **BE - T-NUT 1/4 - H100072**



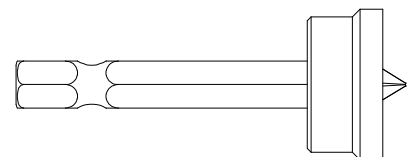
H100114 | TORX WRENCH
(1) | T-30



H100147 | T-30 TORX BIT
(1)



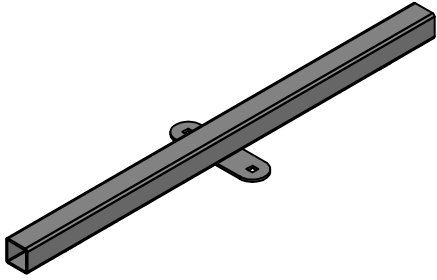
H101100 | BIT ADAPTOR
(1)



H100764 | SCREW SETTER
(x1)

Parts Identification

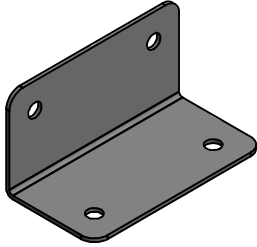
Accessories (NOT TO SCALE)



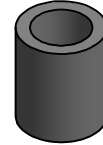
(2) EW - GLIDER SUPPORT BYD GREEN - A100065



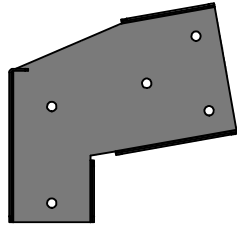
(4) EY - TUBING CAP GLIDER SUPPORT - A100067



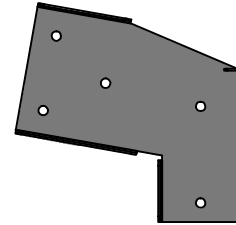
(2) GD - L BRACKET 66x66x127 - A100140



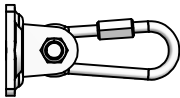
(4) EX - GLIDER BUSHING BYD GREEN - A100066



(1) TB - SWING BEAM EXTENSION BRACKET-LEFT - A100325



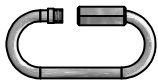
(1) TC - SWING BEAM EXTENSION BRACKET-RIGHT - A100326



(4) - SWING HANGER - A4M00505



(8) TZ - L BRACKET 2.5x38x50x55 - A100340



(8) FA - QUICK LINK - A100069



(6) - GROUND STAKE REBAR - A4M00527



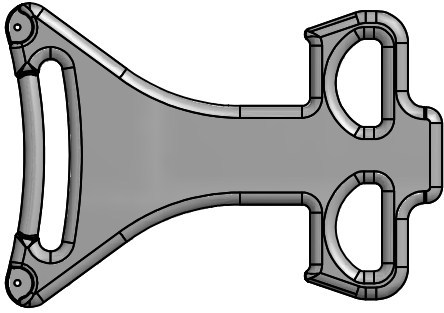
(4) FT - CHAIN GREEN 47" - A100096



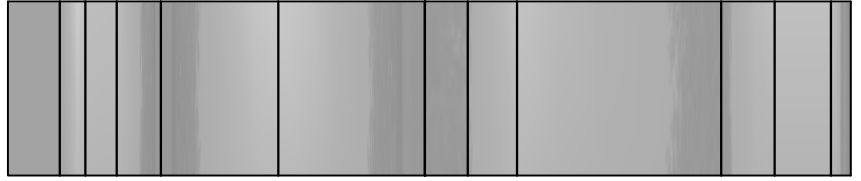
(4) EF - CHAIN GREEN 57" - A100047

Parts Identification

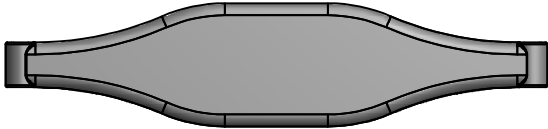
Accessories (NOT TO SCALE)



(2) DJ - GLIDER ARM LIGHT GREEN - A100021



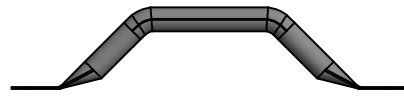
(1) DX - SLIDE BED 10' LIGHT GREEN - A100035



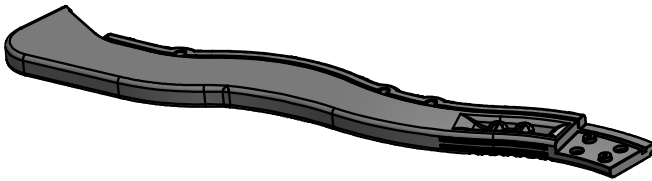
(1) DN - GLIDER SEAT DARK GREEN - A100025



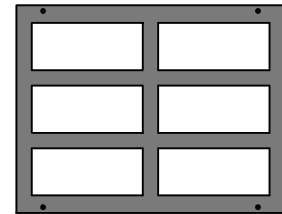
(2) JV - HAND GRIP GREEN 816 c/c - A100134



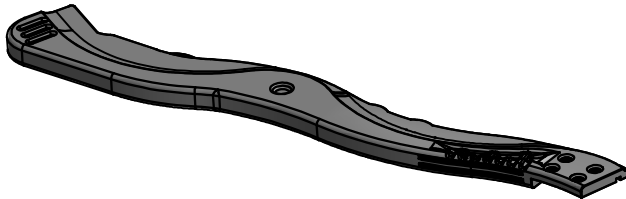
(4) FX - HAND GRIP METAL GREEN 381 c/c - A100118



(1) DT - SLIDE RAIL 10' TOP LEFT GREEN - A6P00485



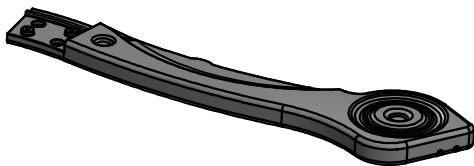
(2) EB - WINDOW FRAME GREEN 343x444.5 - A100044



(1) TR - SLIDE RAIL 10' TOP RIGHT GREEN - A6P00486



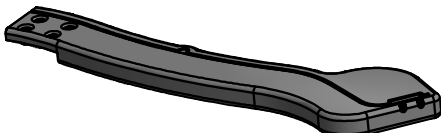
(4) DW - SLIDE SUPPORT TUBE - A6P00487



(1) DS - SLIDE RAIL 10' BOTTOM RIGHT GREEN - A6P00484



(1) HC - BYD ID TAG (LARGE) 2011 WITH AGES - A100164



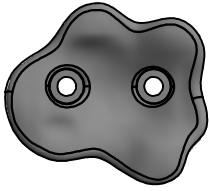
(1) DR - SLIDE RAIL 10' BOTTOM LEFT GREEN - A6P00483



(2) DP - SWING SEAT GREEN - A100027

Parts Identification

Accessories
(NOT TO SCALE)



(1) - GREEN HC ROCK #1 - A6P00036



(1) - BLUE HC ROCK #2 - A6P00040



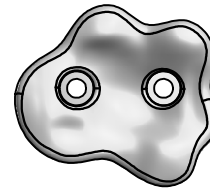
(2) - GREEN HC ROCK #2 - A6P00037



(2) - BLUE HC ROCK #1 - A6P00041



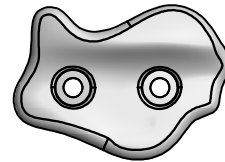
(1) - RED HC ROCK #1 - A6P00038



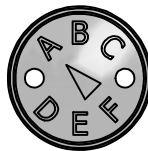
(1) - YELLOW HC ROCK #1 - A6P00042



(2) - RED HC ROCK #2 - A6P00039



(2) - YELLOW HC ROCK #2 - A6P00043



(1) SQ - "A" REVISION TAG - A100314

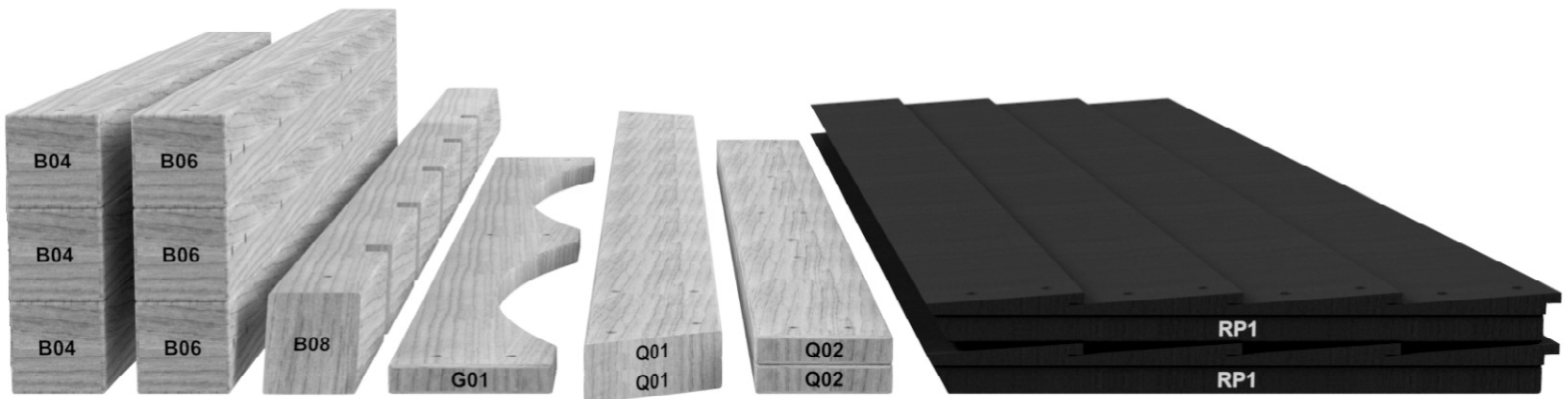
PRE-ASSEMBLY STEP 1 - SORTING PARTS

It is critical for ease of assembly that you take the time to sort and organize the wood and hardware.

WOOD PARTS:

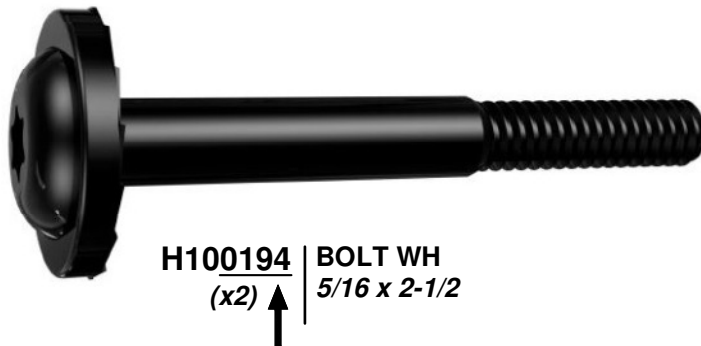
- Organize wood parts by the three-digit, alpha-numeric number stamped on each board (ex. P01).
- If there are multiple boards with the same stamped number, stack those pieces together.
- Stamps can be found on the flat surface of the boards or on the end of the boards.
- Allow yourself plenty of room - the wood pieces can take up a significant amount of space.

NOTE: CARTONS ARE NOT ORGANIZED BY BOARD NUMBER.



HARDWARE PARTS:

- We recommend that you have a separate table to organize the hardware.
- Hardware bags are printed with a seven-digit, alpha-numeric part number.
- You can organize your hardware by part number or group by hardware type (i.e. bolts, nuts, etc.).
- During assembly you only need to reference the last four digits of the number.



PRE-ASSEMBLY STEP 2 - TOOLS REQUIRED



**Cordless Drill or
Electric Drill**



**Drill Attachments:
Phillips Head**



**1/8", 3/16", 3/8" & 7/16"
Drill Bits**



Phillips Screw Driver



Open End Wrenches 1/2" & 9/16"



**3/8" Drive Ratchet, 1/2" &
9/16" STD Sockets 1/2" & 9/16" Deep
Sockets**



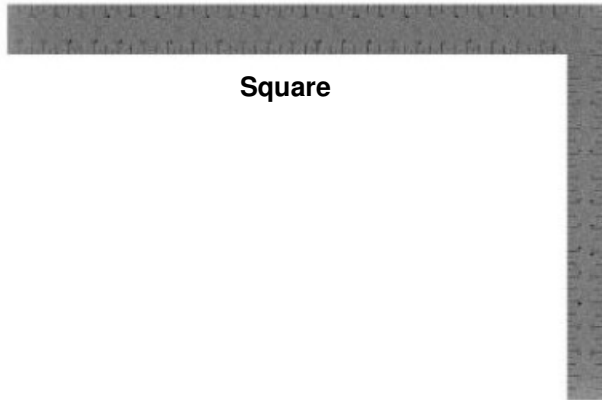
Claw Hammer



Rubber Mallet - Optional



Tape Measure



Square

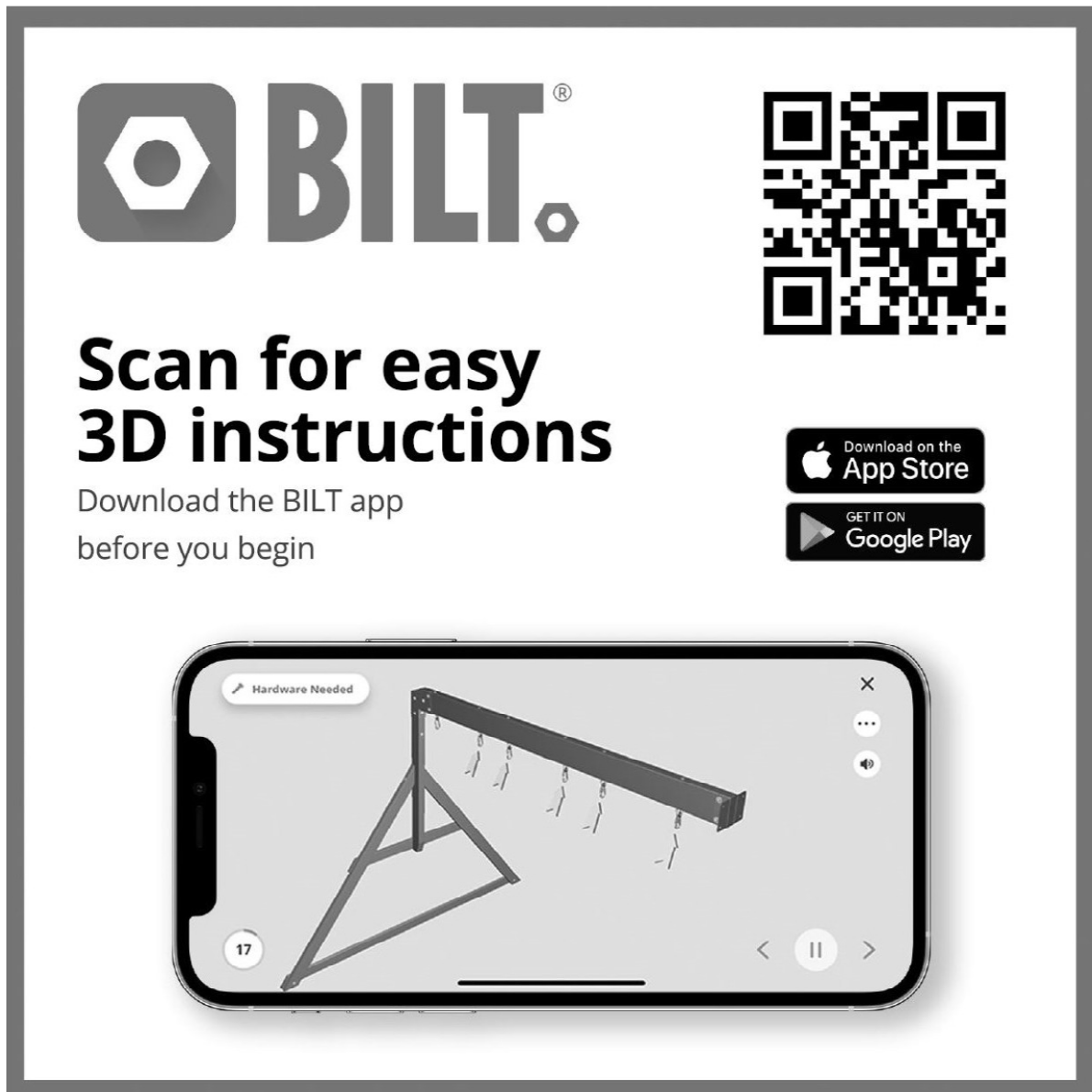


Level 24"

PRE-ASSEMBLY STEP 3 - CHOOSE YOUR ASSEMBLY METHOD

There are several types of assembly instructions available to you.

1. Printed Assembly Manual included with your set
2. BILT APP - 3D interactive instructions
3. Combination of the Printed Manual and BILT APP (Note: Step numbers can differ between the two methods)



The advertisement features the BILT logo on the left, a QR code on the right, and a smartphone displaying a 3D assembly instruction. The text 'Scan for easy 3D instructions' is prominently displayed in the center, with 'Download the BILT app before you begin' below it. Two buttons for downloading the app are on the right: 'Download on the App Store' and 'GET IT ON Google Play'.

BILT.[®]

**Scan for easy
3D instructions**

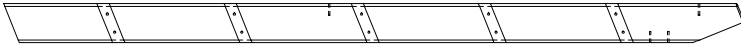
Download the BILT app
before you begin

Download on the
App Store

GET IT ON
Google Play

Hardware Needed

17

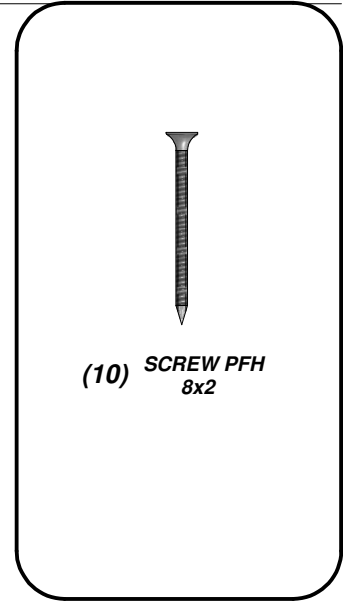
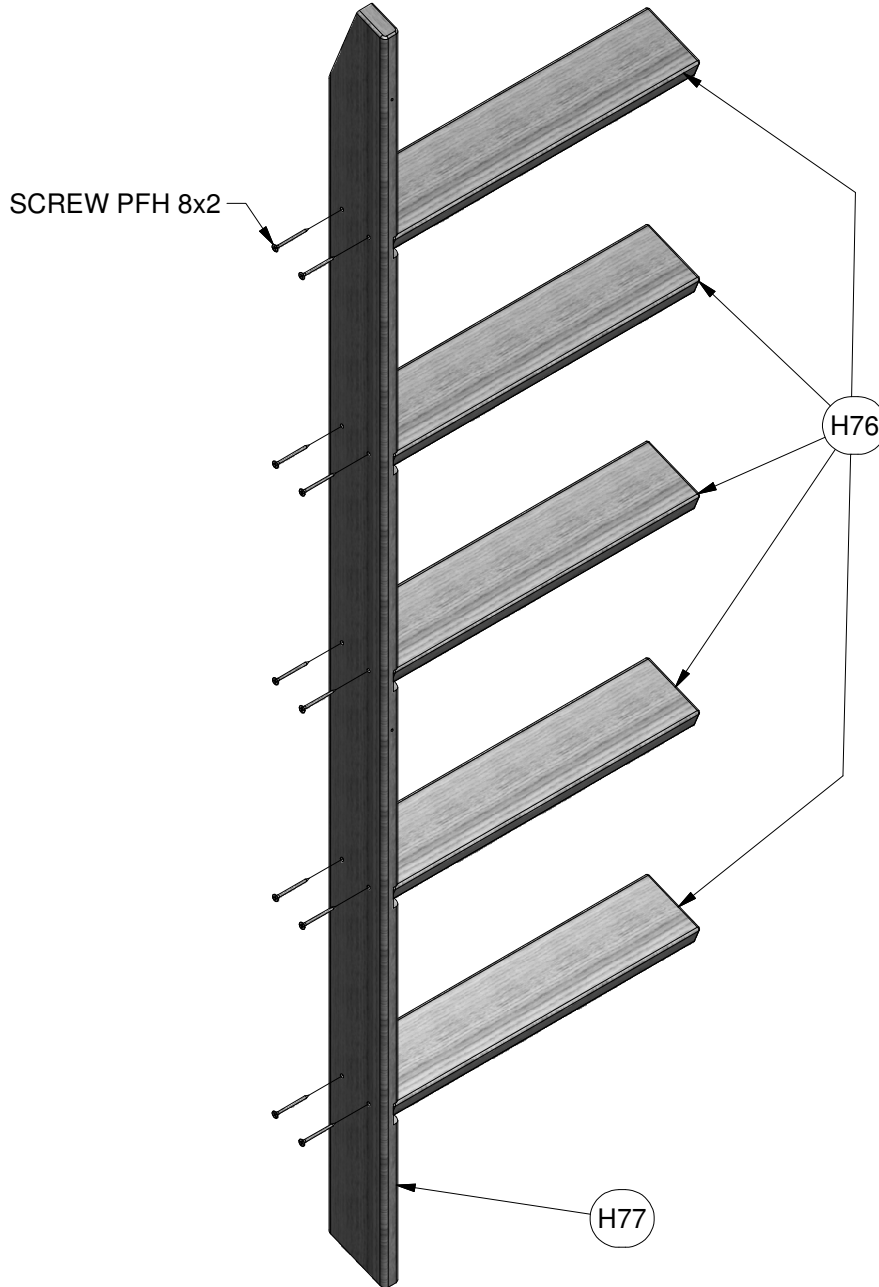


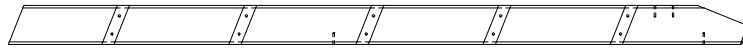
(1) **H77 - LEFT UPRIGHT - W100972**
1"x3 3/8"x64 3/8" (24x86x1634)



(5) **H76 - LADDER RUNG - W100611**
1"x3 3/8"x18 1/8" (24x86x460)

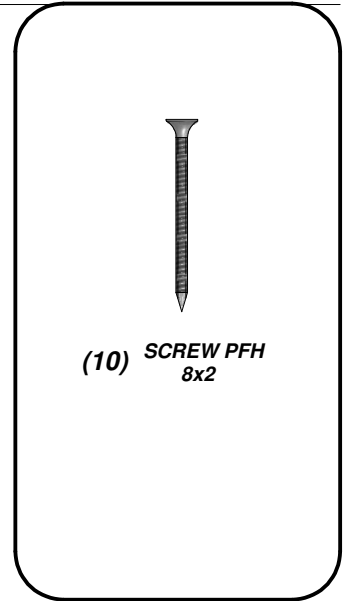
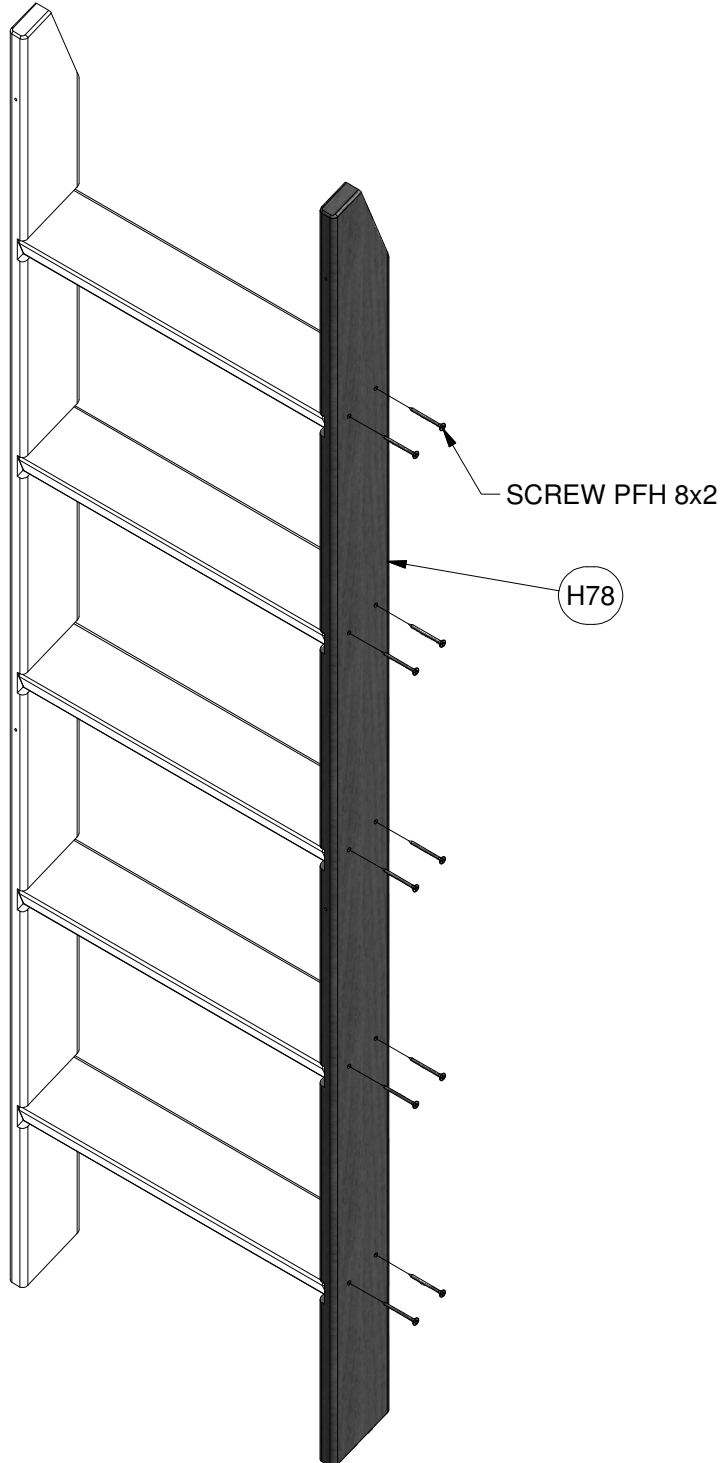
5 FOOT LADDER ASSEMBLY STEP 1





(1) **H78 - RIGHT UPRIGHT - W100973**
1"x3 3/8"x64 3/8" (24x86x1634)

5 FOOT LADDER ASSEMBLY
STEP 2



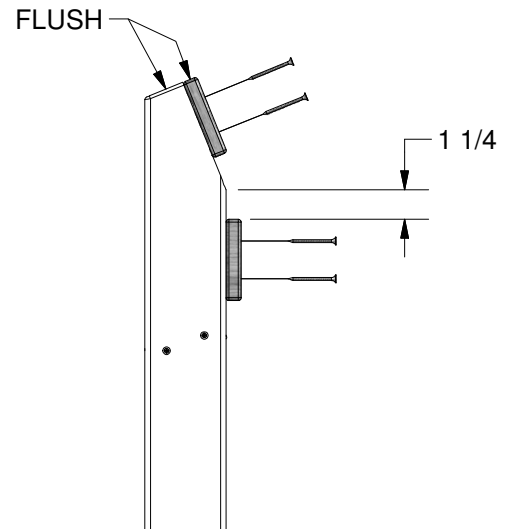
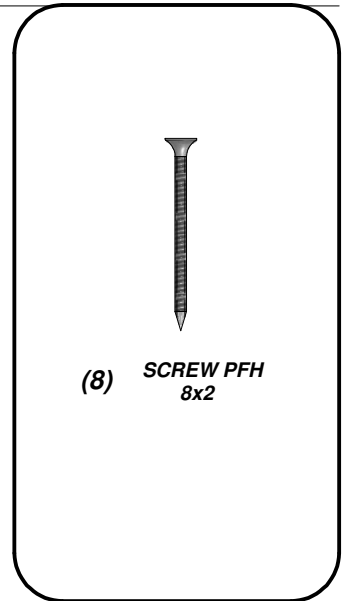
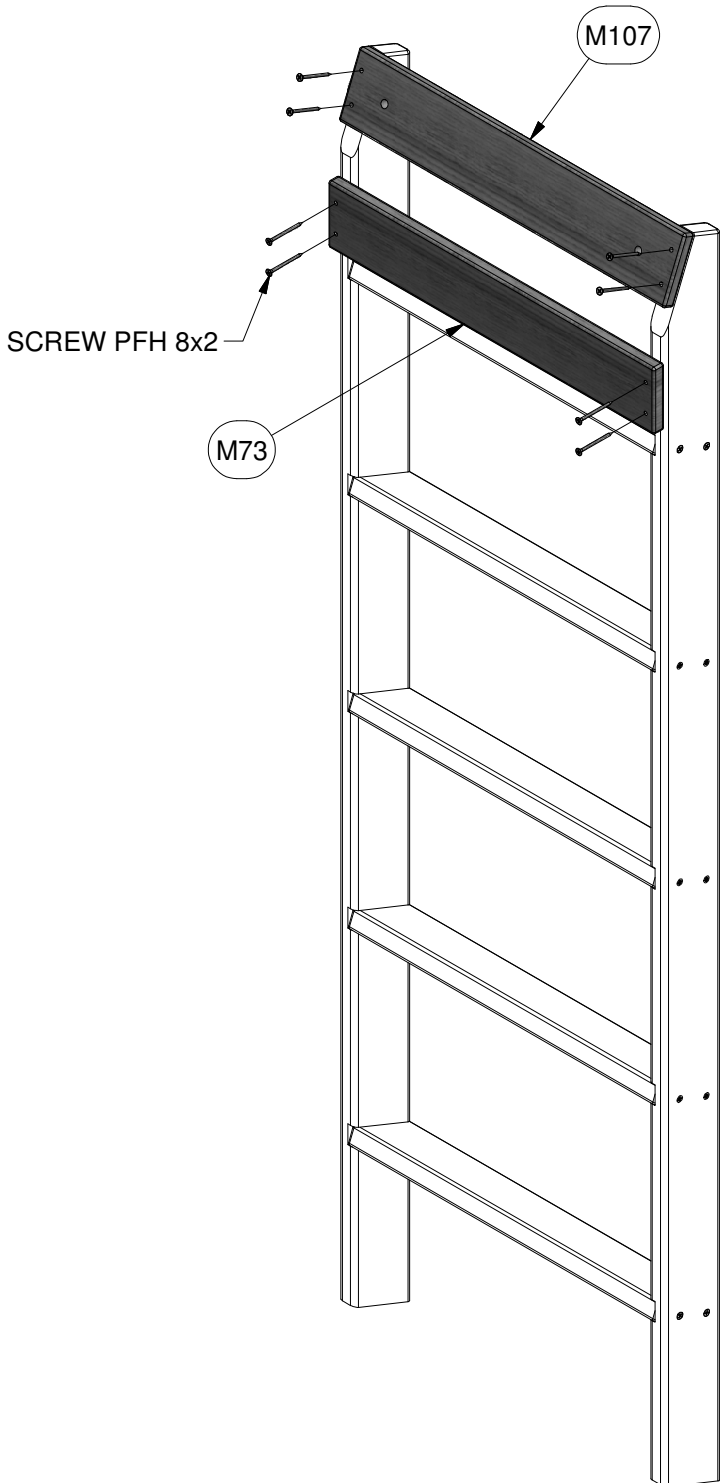


(1) **M73 - REAR SUPPORT - W100610**
5/8"x3 3/8"x19 1/4" (16x86x488)



(1) **M107 - ATTACHMENT BOARD - W103559**
5/8"x3 3/8"x19 1/4" (16x86x488)

5 FOOT LADDER ASSEMBLY STEP 3

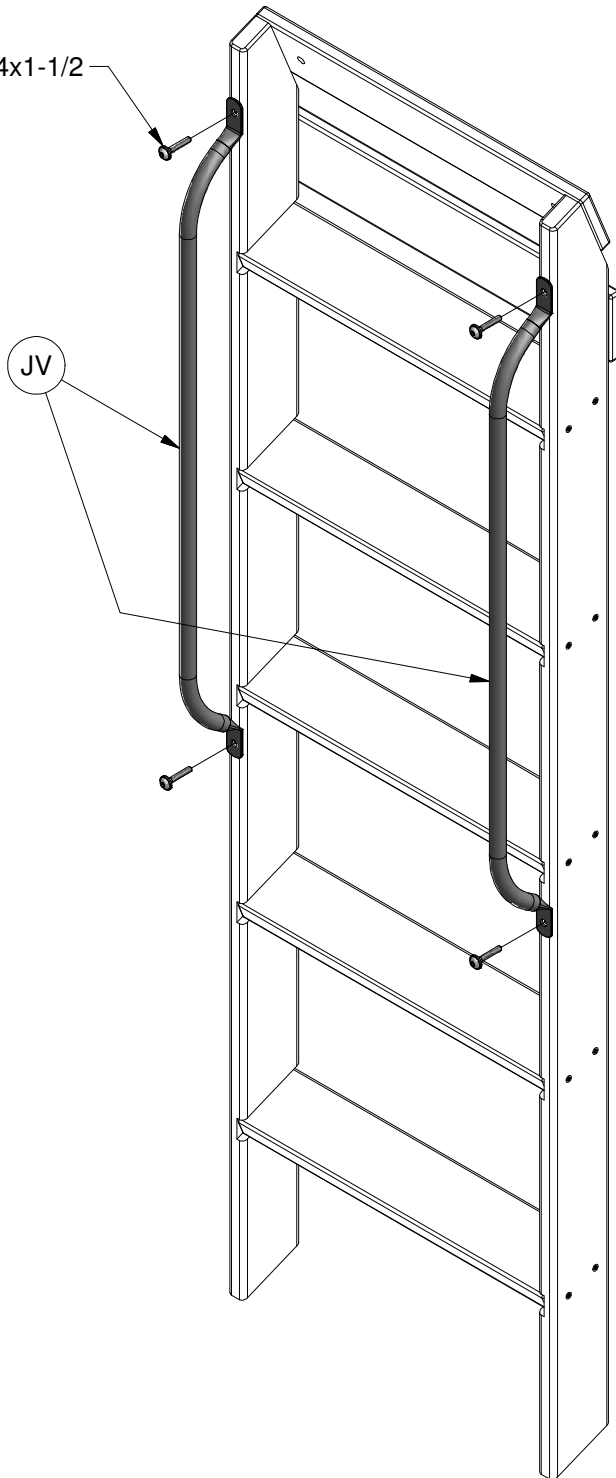




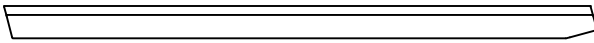
(2) *JV - HAND GRIP GREEN 816 c/c - A100134*

**5 FOOT LADDER ASSEMBLY
STEP 4**

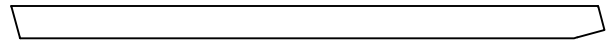
LAG SCREW WH 1/4x1-1/2



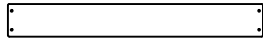
(4) **LAG SCREW
WH 1/4x1-1/2**



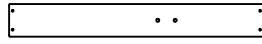
(1) E72 - LEFT RAIL - W100036
1 3/8"x3 3/8"x61 3/4" (36x86x1570)



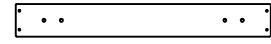
(1) E73 - RIGHT RAIL - W100037
1 3/8"x3 3/8"x61 3/4" (36x86x1570)



(10) M74 - ROCK WALL BOARD - W100987
5/8"x3 3/8"x26 5/8" (16x86x675)



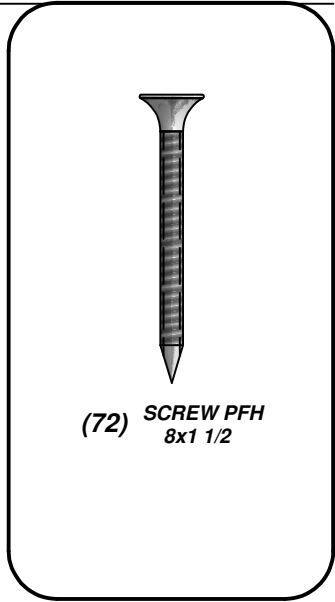
(4) M75 - ROCK WALL BOARD - W4L05240
5/8"x3 3/8"x26 5/8" (16x86x675)



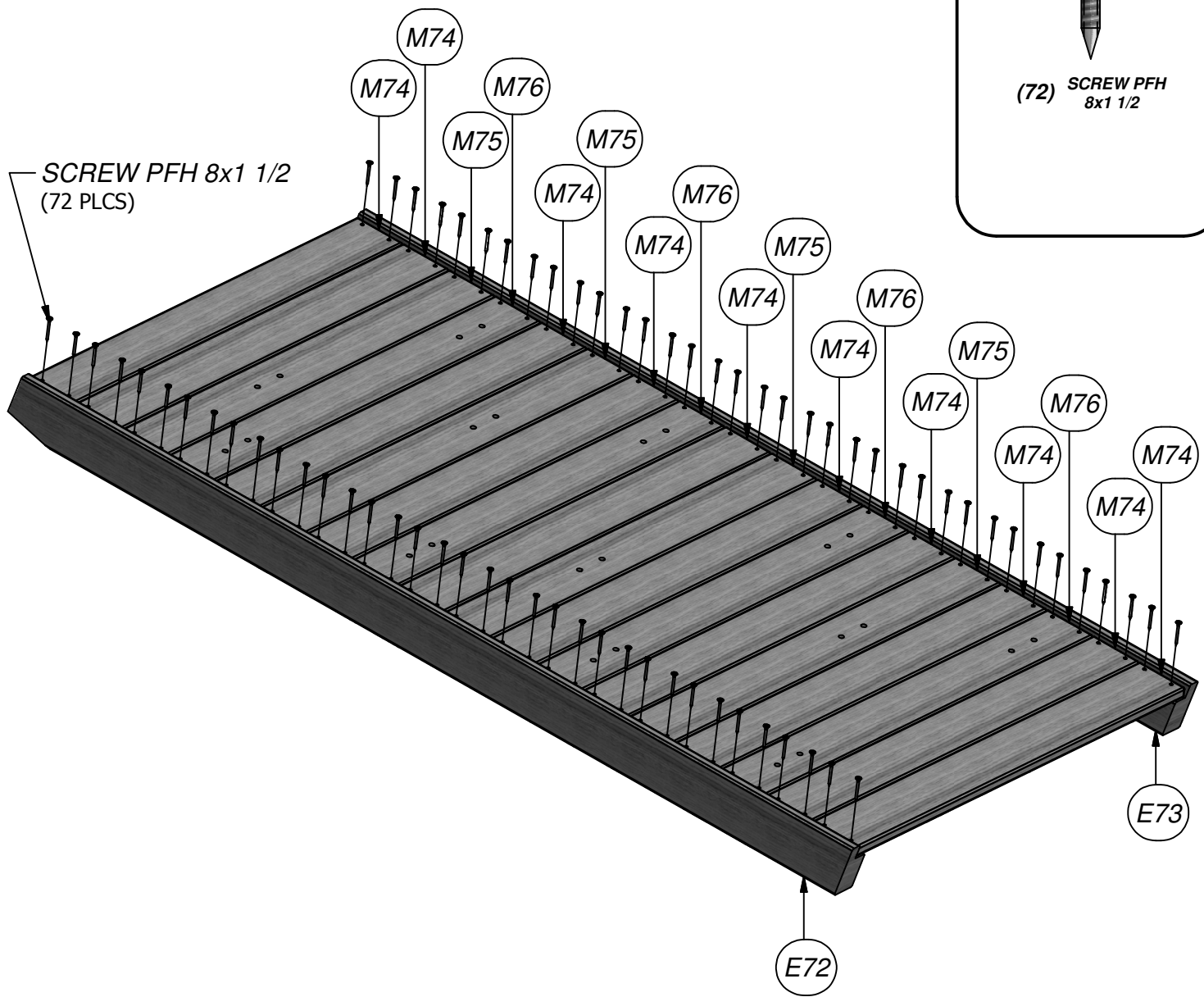
(4) M76 - ROCK WALL BOARD - W4L05239
5/8"x3 3/8"x26 5/8" (16x86x675)

ROCK WALL ASSEMBLY

STEP 1



(72) SCREW PFH
8x1 1/2

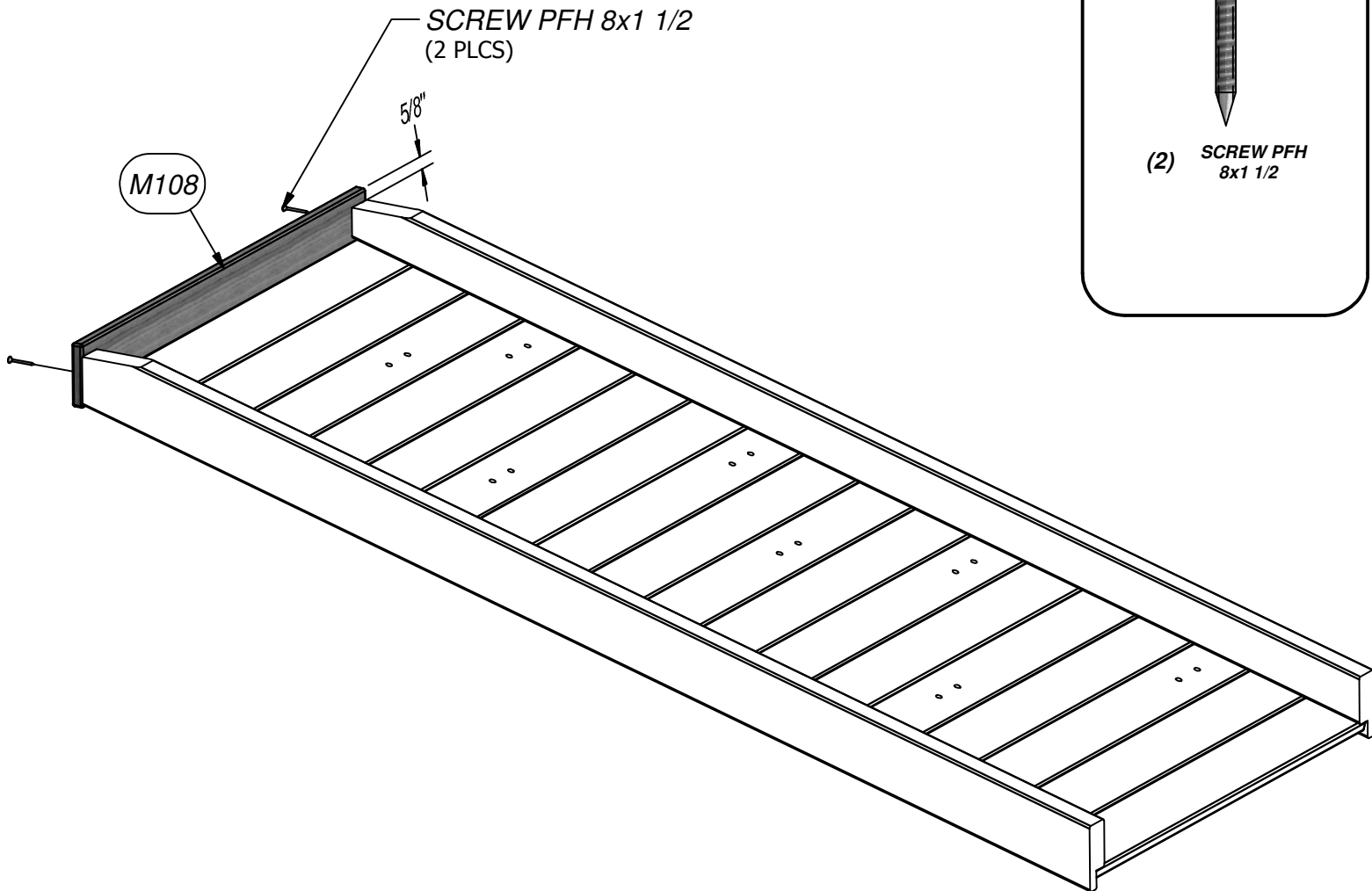


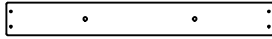


(1) M108 - TOP BOARD - W103105
5/8"x3 3/8"x27 7/8" (16x86x707)

ROCK WALL ASSEMBLY

STEP 2

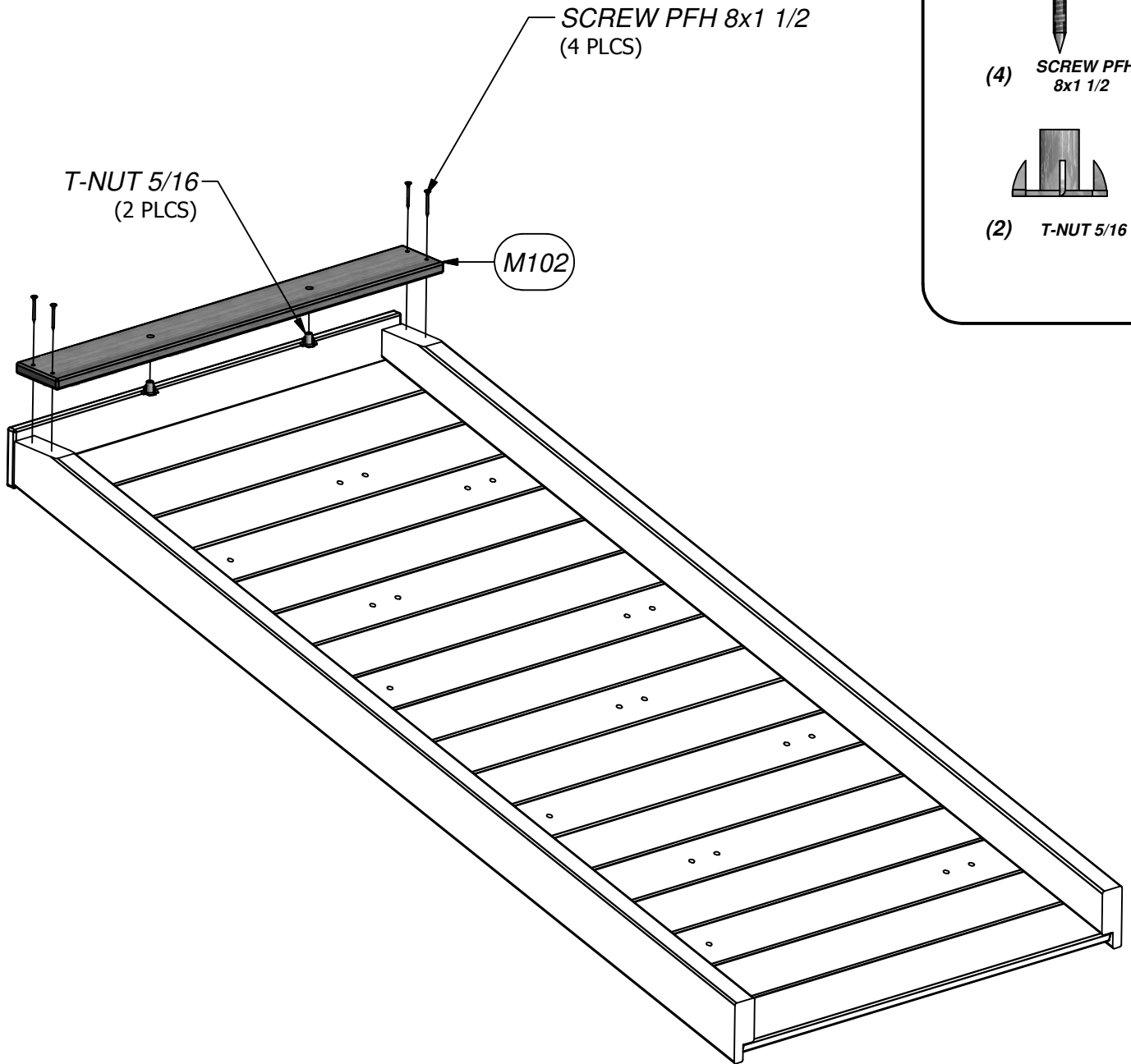




- (1) **M102 - ATTACHMENT BOARD - W4L05242**
5/8"x3 3/8"x27 7/8" (16x86x707)

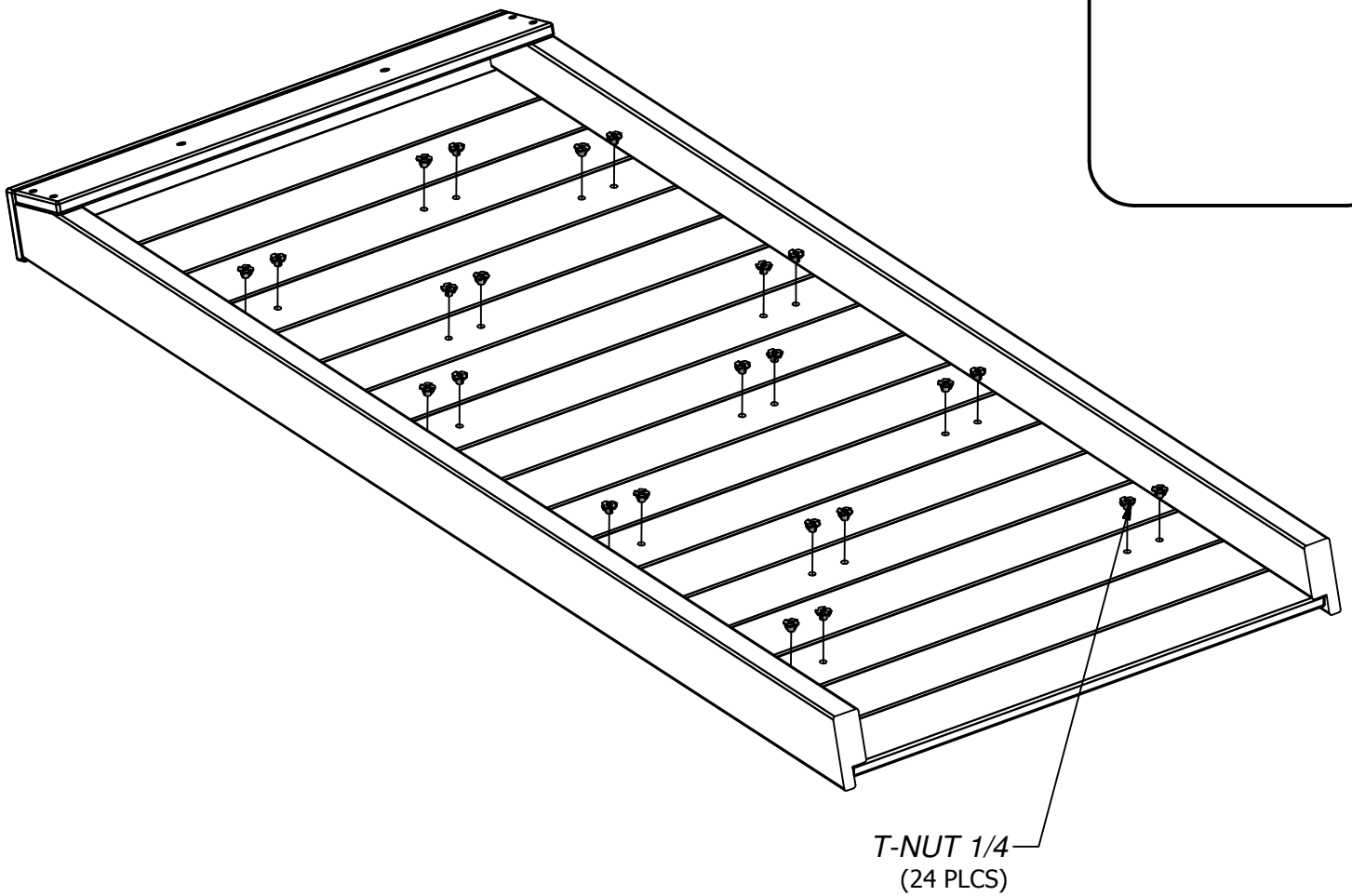
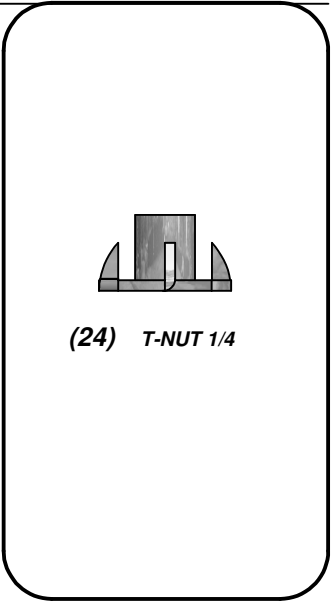
ROCK WALL ASSEMBLY

STEP 3



ROCK WALL ASSEMBLY

STEP 4



(1) - GREEN HC ROCK #1 - A6P00036



(1) - RED HC ROCK #1 - A6P00038



(2) - GREEN HC ROCK #2 - A6P00037



(2) - RED HC ROCK #2 - A6P00039

(1) - YELLOW HC ROCK #1 - A6P00042



(2) - YELLOW HC ROCK #2 - A6P00043



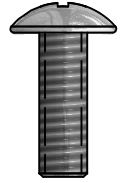
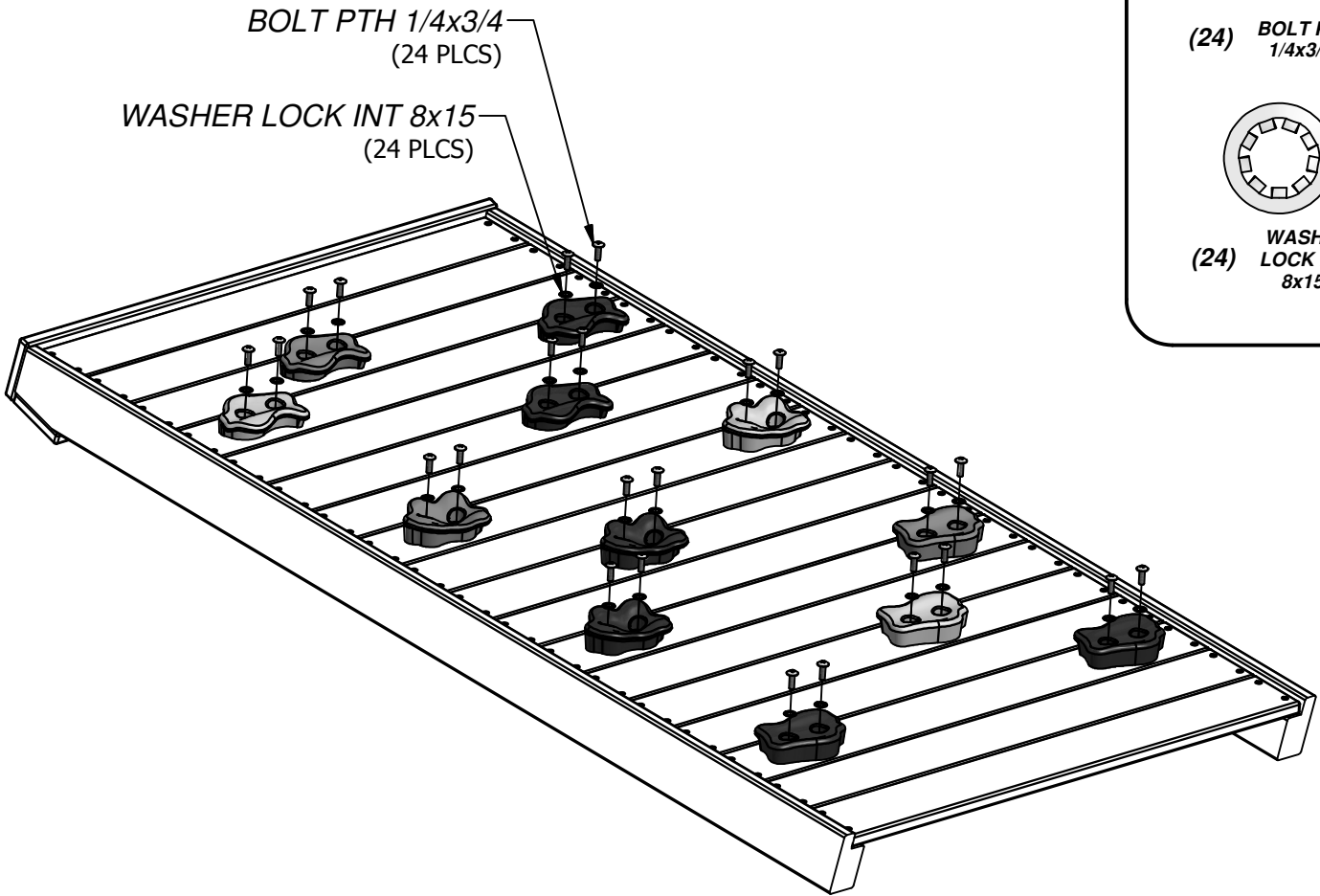
(1) - BLUE HC ROCK #2 - A6P00040



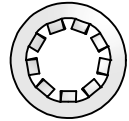
(2) - BLUE HC ROCK #1 - A6P00041

ROCK WALL ASSEMBLY

STEP 5



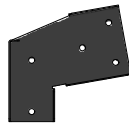
(24) BOLT PTH
1/4x3/4



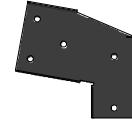
(24) WASHER
LOCK INT
8x15



(1) **A50 - SWING BEAM - W4L11733**
3 3/8"x5 1/4"x89 1/2" (86x134x2274)



(1) - **SWING BEAM EXTENSION BRACKET-LEFT - A100325**

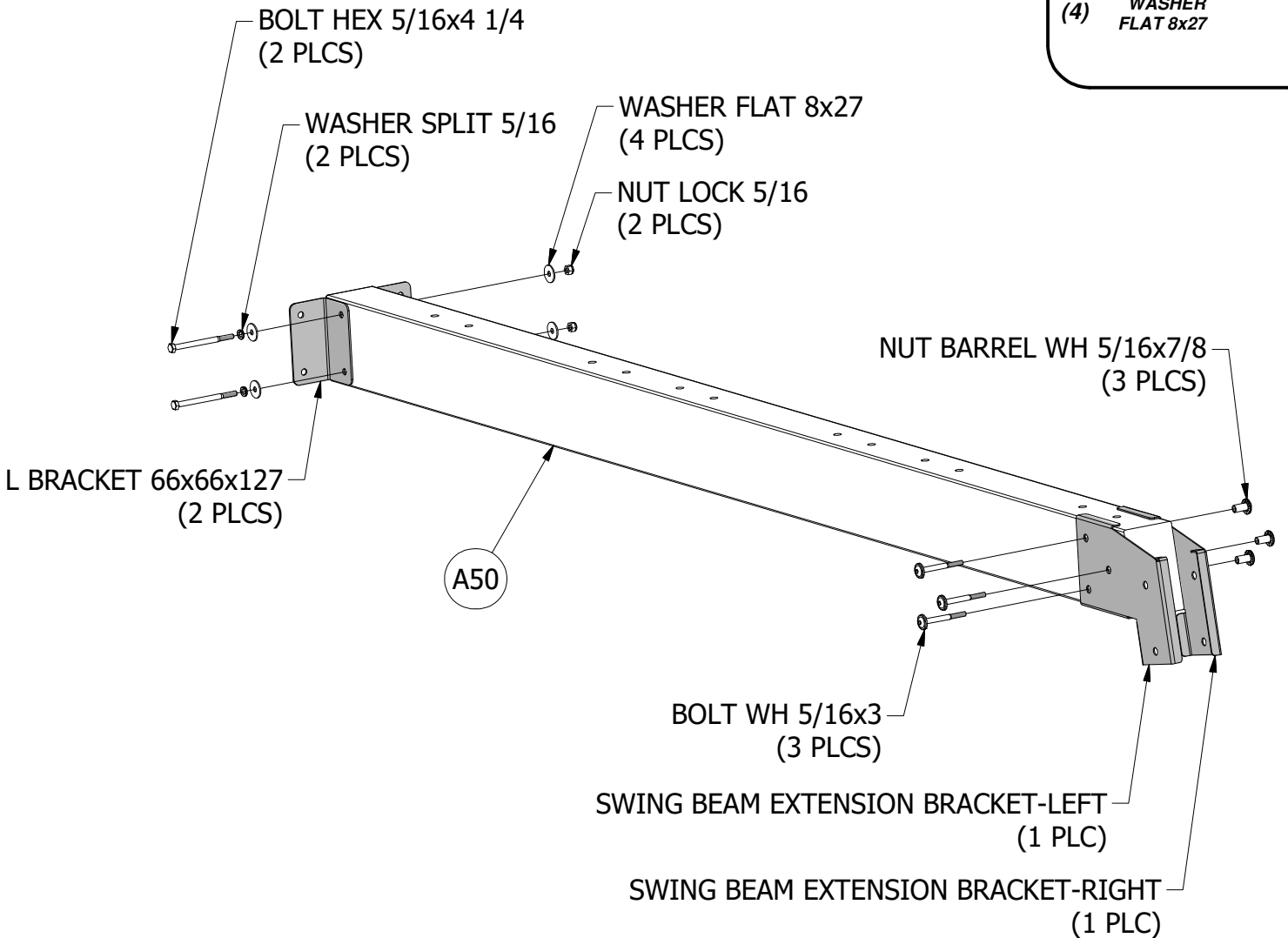
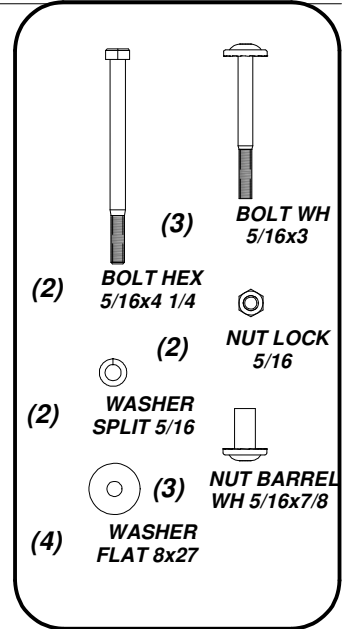


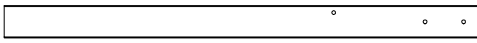
(1) - **SWING BEAM EXTENSION BRACKET-RIGHT - A100326**



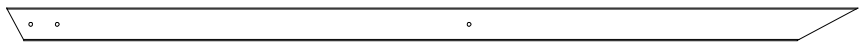
(2) - **L BRACKET 66x66x127 - A100140**

SWING BEAM ASSEMBLY STEP 1

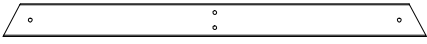




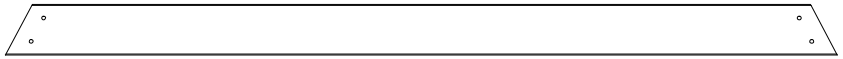
(1) **SP50 - SWING BEAM SUPPORT - W102417**
3 3/8"x3 3/8"x49 3/8" (86x86x1254)



(2) **E51 - ANGLE BRACE - W100948**
1 3/8"x3 3/8"x88 3/4" (36x86x2254)

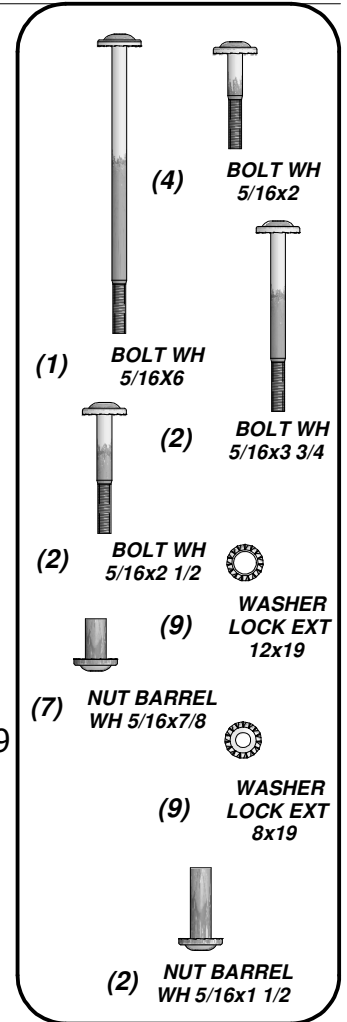
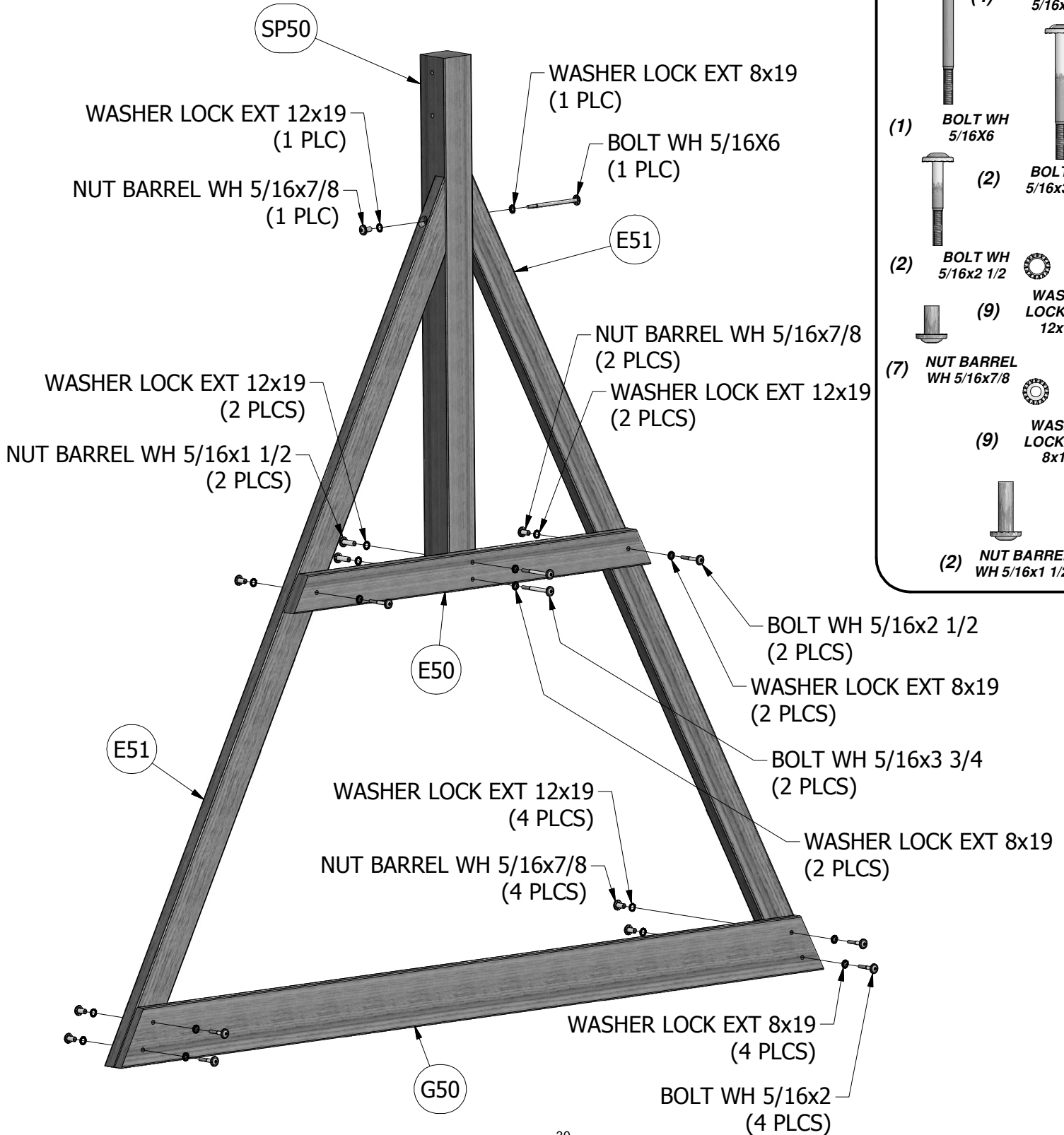


(1) **E50 - END SUPPORT - W100949**
1 3/8"x3 3/8"x44 1/8" (36x86x1120)

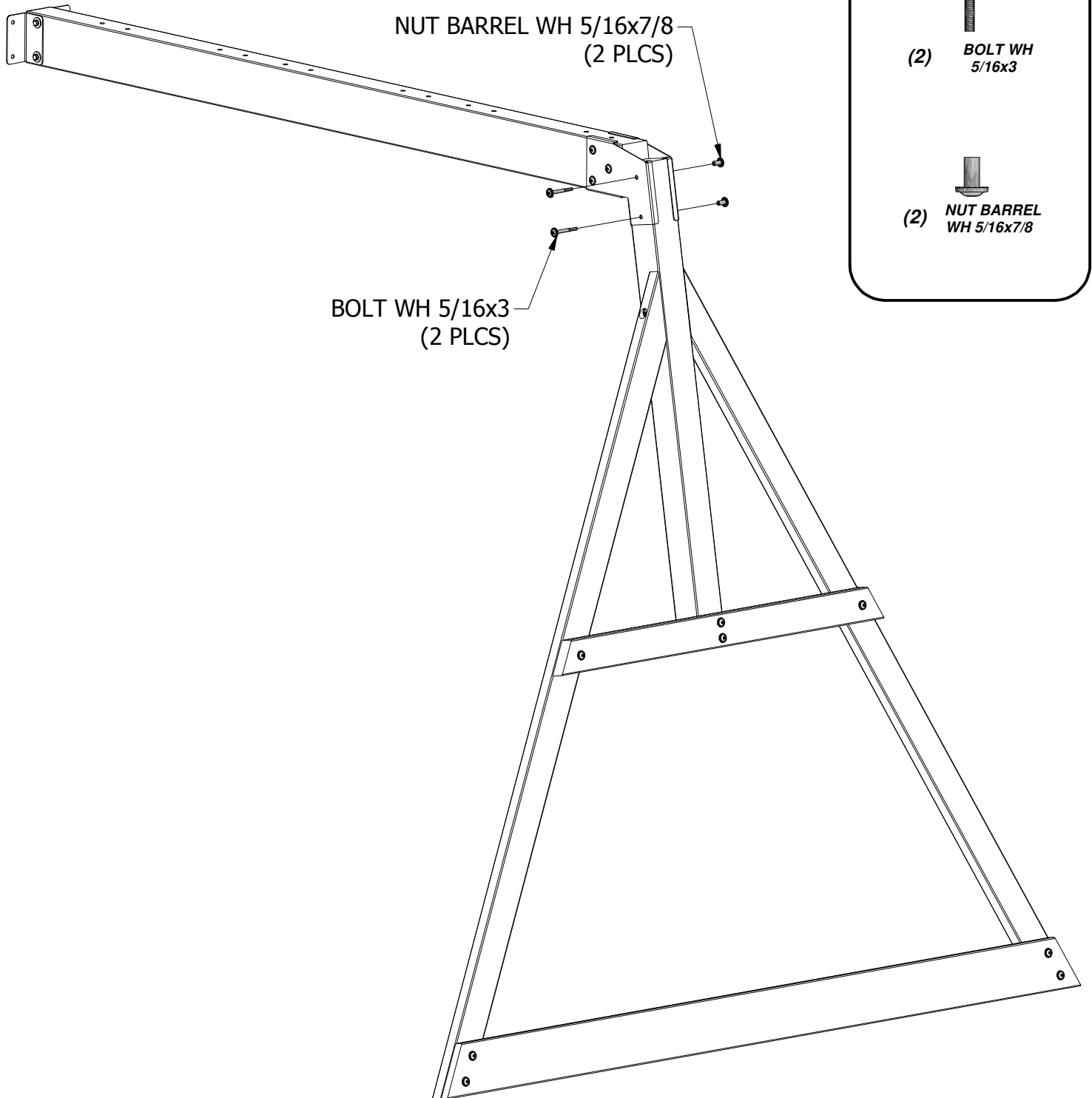


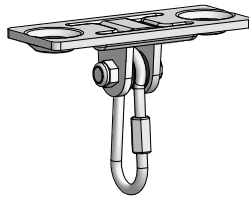
(1) **G50 - GROUND BOARD - W100947**
1"x5 1/4"x86 3/4" (24x134x2202)

SWING BEAM ASSEMBLY STEP 2



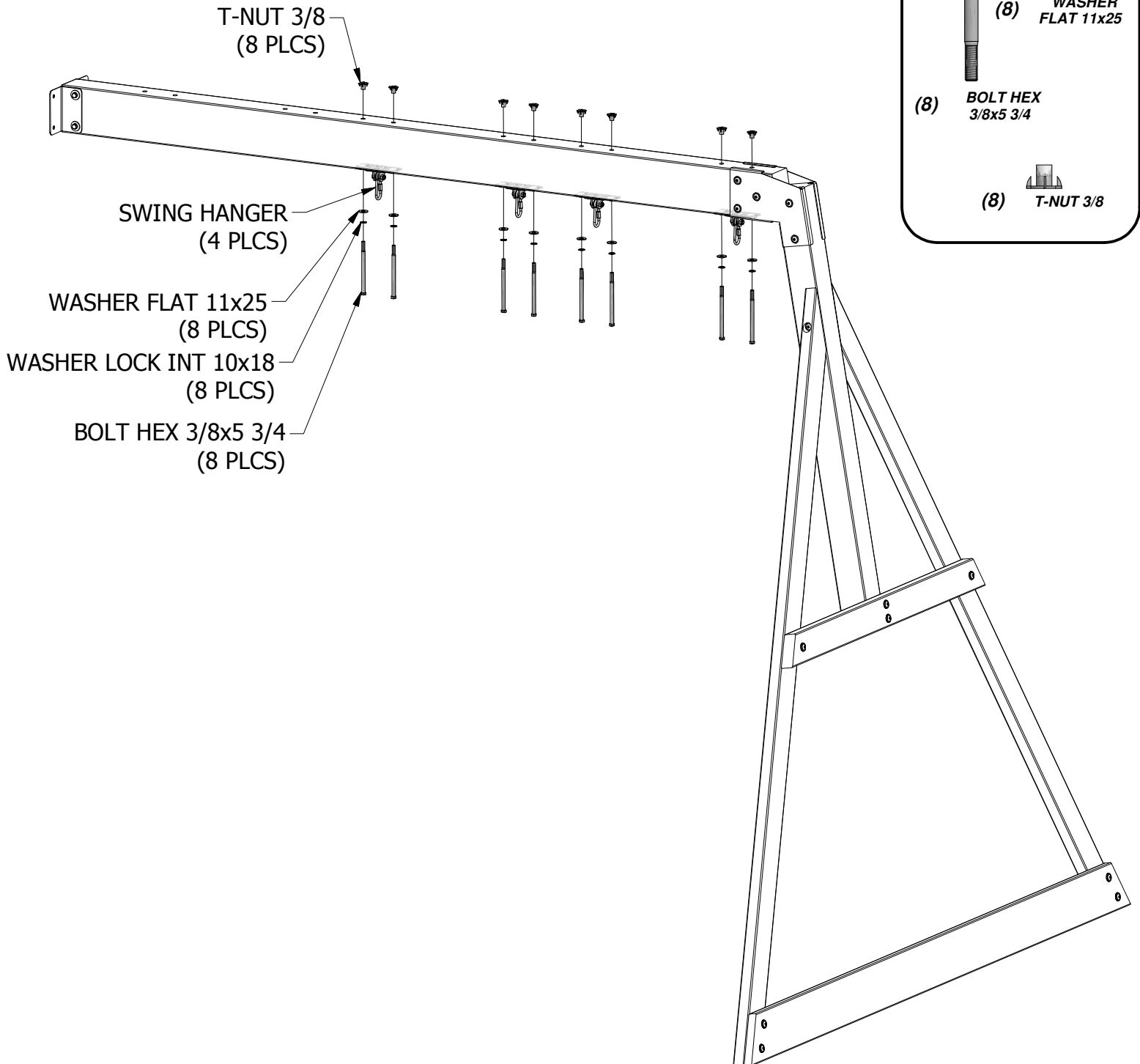
**SWING BEAM ASSEMBLY
STEP 3**

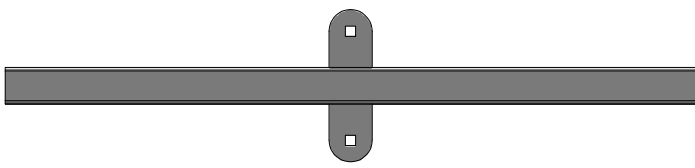




(4) SWING HANGER - A4M00505

SWING BEAM ASSEMBLY STEP 4





(2) EW - GLIDER SUPPORT BYD GREEN - A100065



(4) BY - SWING HANGER QUICK LINK - H100097



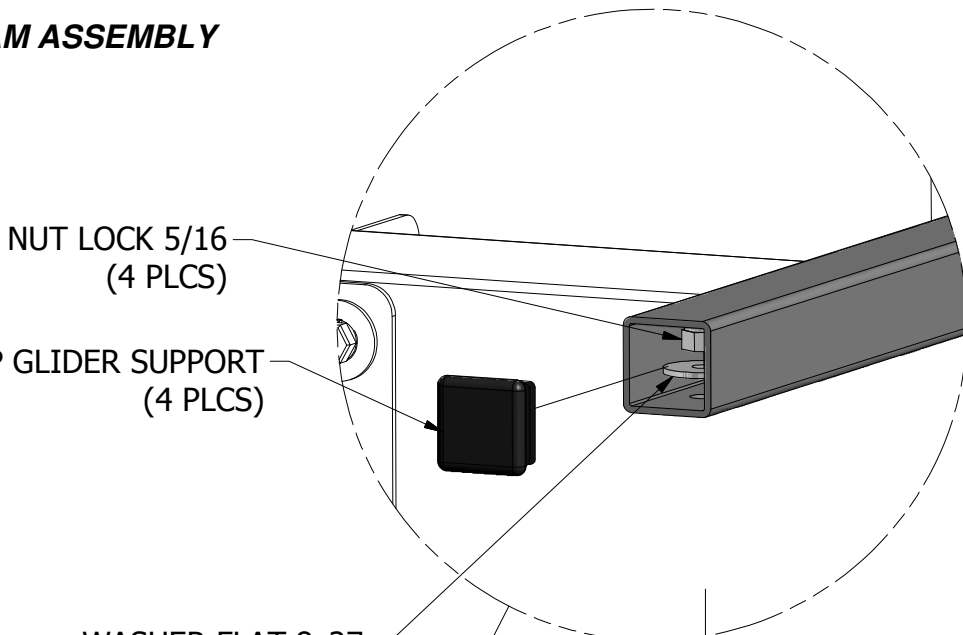
(4) EY - TUBING CAP GLIDER SUPPORT - A100067



(4) EX - GLIDER BUSHING BYD GREEN - A100066

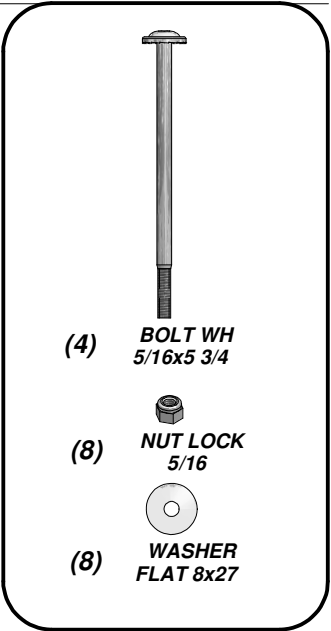
SWING BEAM ASSEMBLY STEP 5

NUT LOCK 5/16
(4 PLCS)
TUBING CAP GLIDER SUPPORT
(4 PLCS)

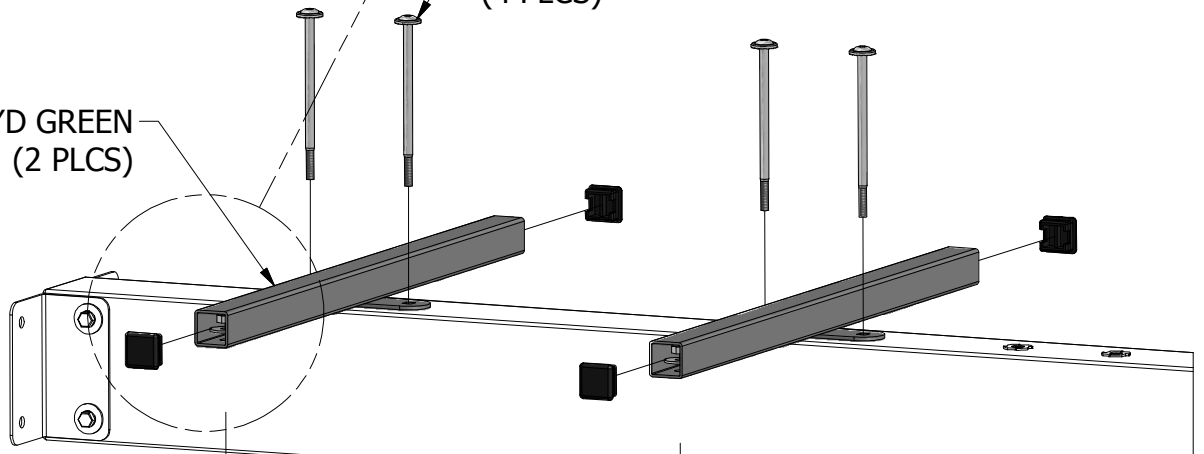


WASHER FLAT 8x27
(4 PLCS)

BOLT WH 5/16x5 3/4
(4 PLCS)



GLIDER SUPPORT BYD GREEN
(2 PLCS)

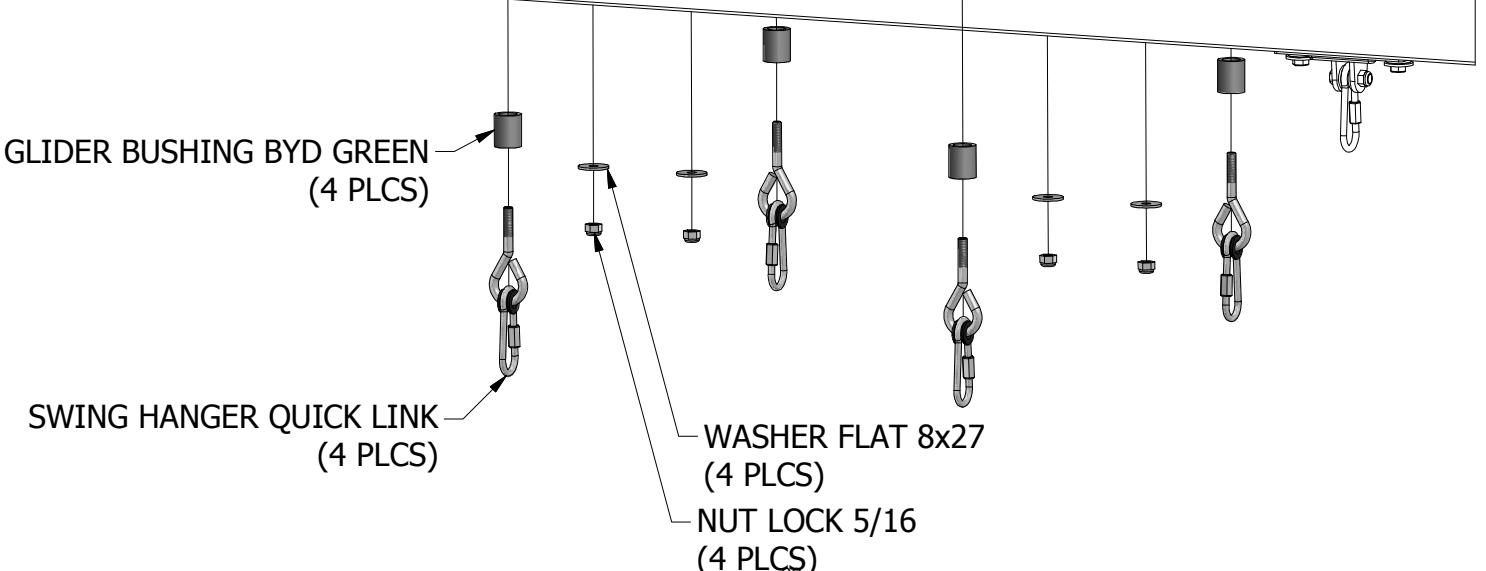


GLIDER BUSHING BYD GREEN
(4 PLCS)

SWING HANGER QUICK LINK
(4 PLCS)

WASHER FLAT 8x27
(4 PLCS)

NUT LOCK 5/16
(4 PLCS)

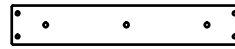


STEP 1 - SLIDE

QTY	PART NUMBER	DESCRIPTION
3	H100074	T-NUT 5/16
3	H100115	BOLT WH 5/16x1/2



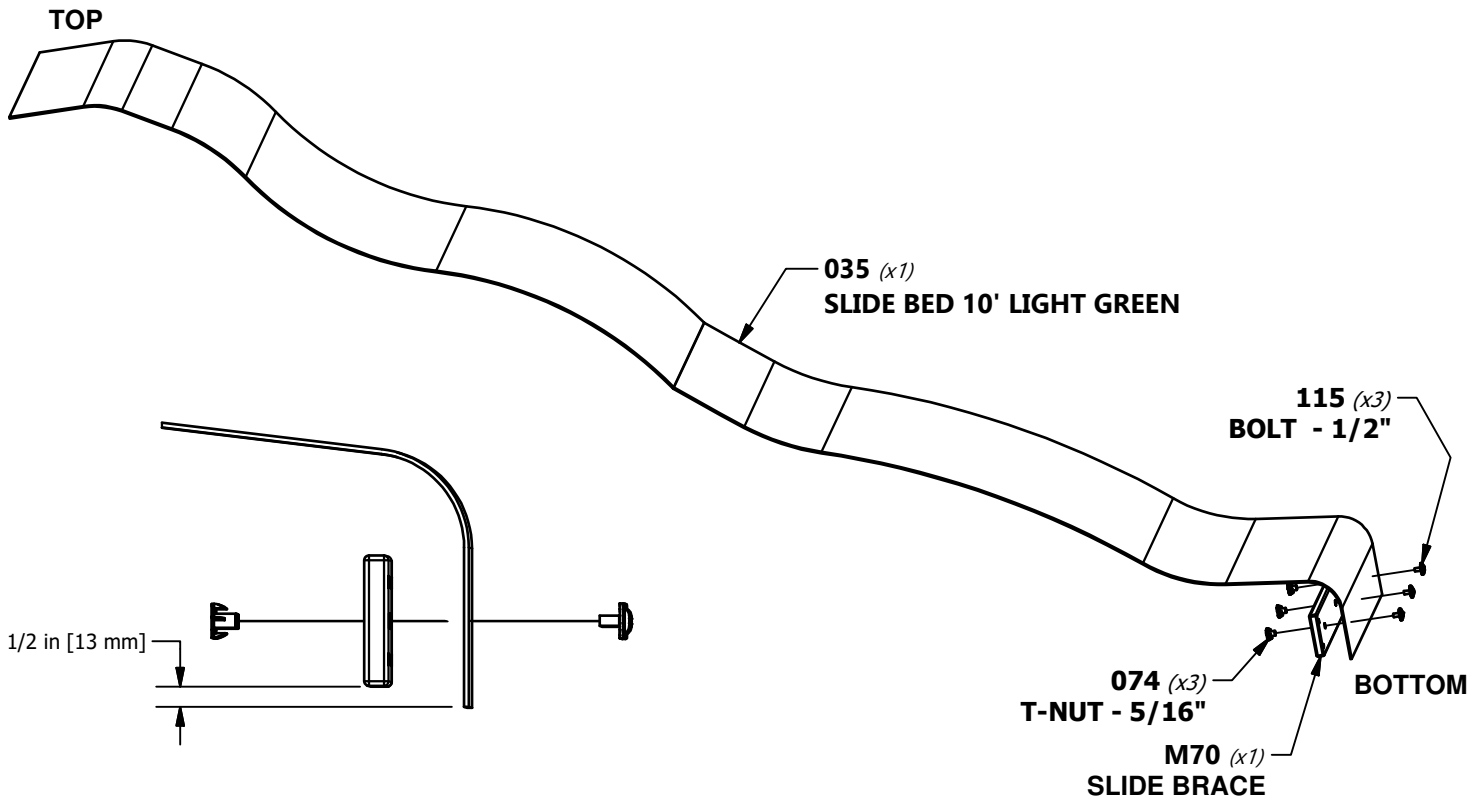
A100035 | SLIDE BED 10' LIGHT GREEN
(x1)



M70 | SLIDE SUPPORT BOARD - W100935
(x1) 5/8"x3 3/8"x19 7/8" (16x86x505)

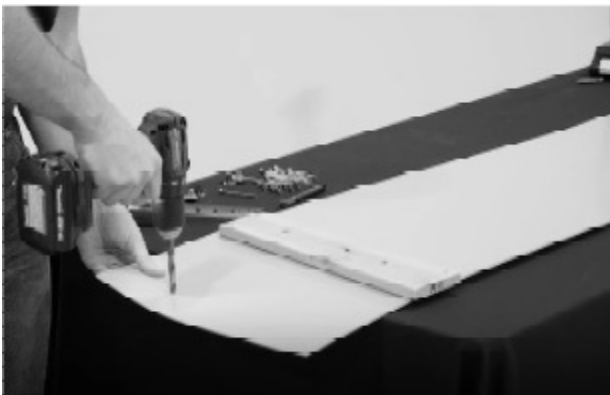
NOTE:

TAKE NOTE OF SLIDE BED SURFACE FINISH, THE DULL SIDE WILL BE TOWARDS THE GROUND. PLACE SLIDE BRACE CENTERED ON THE BOTTOM (DULL SIDE) AND 1/2" FROM THE EDGE. USE **M70** BOARD AS A TEMPLATE FOR DRILLING BOTTOM HOLE PATTERN IN SLIDE BED. USE A 5/16" DRILL BIT.



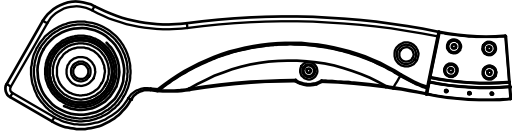
TIP:

PRE-BENDING THE ENDS WILL EASE ASSEMBLY. PLACING THE SLIDE BED OUT IN THE SUN MAKES IT EASIER TO BEND.

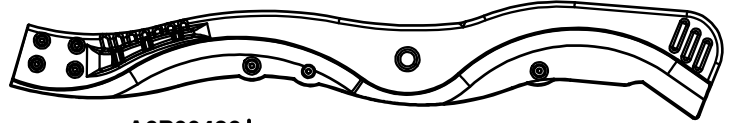


STEP 2 - SLIDE

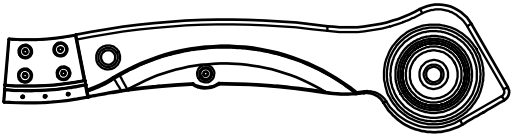
QTY	PART NUMBER	DESCRIPTION
8	H100006	NUT BARREL WH 5/16x1 1/2
8	H100115	BOLT WH 5/16x1/2



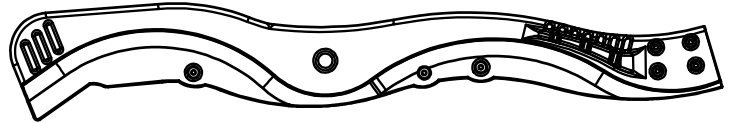
A6P00484 | SLIDE RAIL 10' BOTTOM RIGHT GREEN
(x1)



A6P00486 | SLIDE RAIL 10' TOP RIGHT GREEN
(x1)

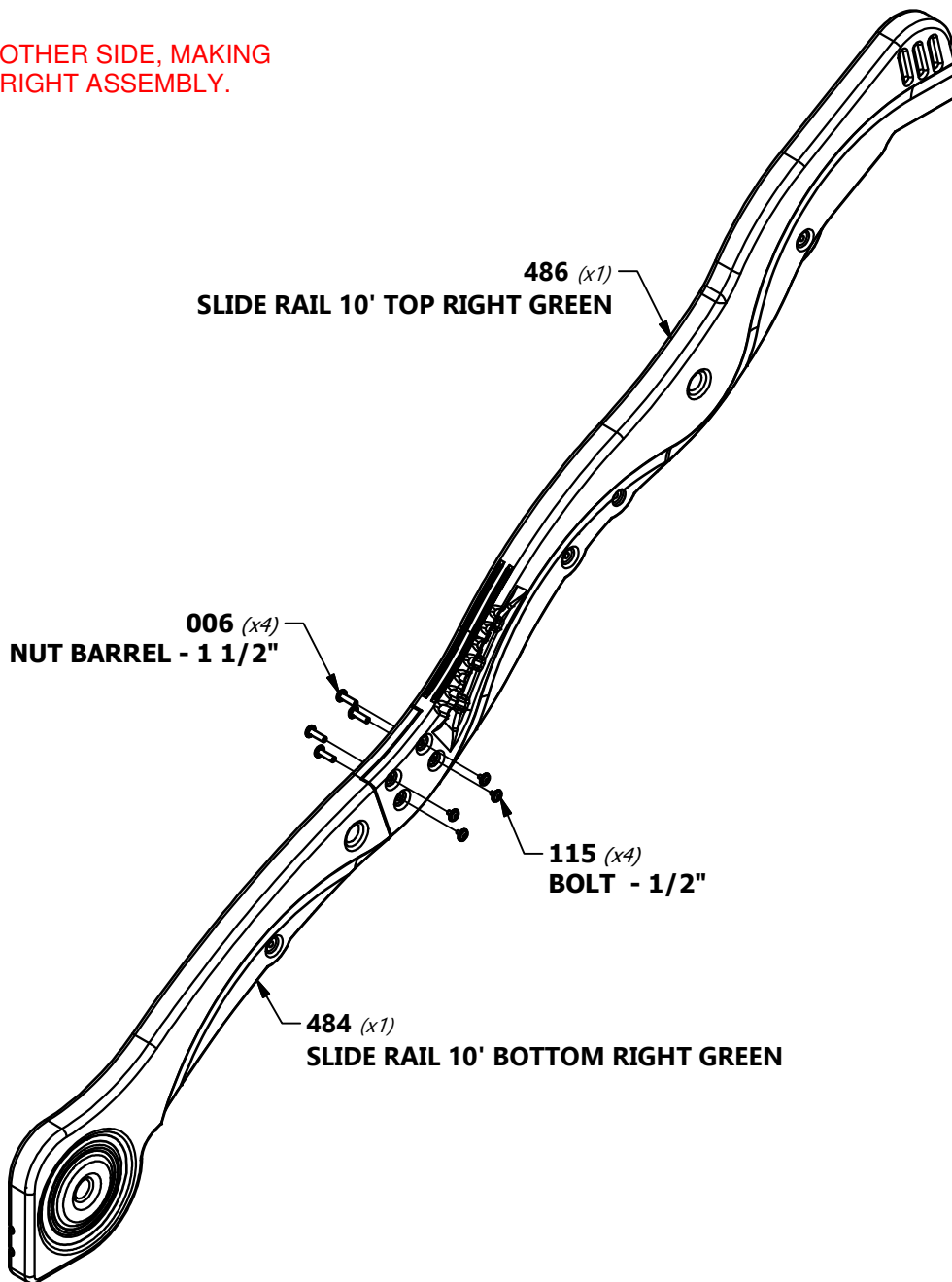


A6P00483 | SLIDE RAIL 10' BOTTOM LEFT GREEN
(x1)



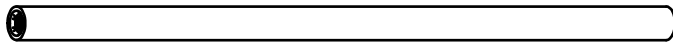
A6P00485 | SLIDE RAIL 10' TOP LEFT GREEN
(x1)

NOTE:
REPEAT ON OTHER SIDE, MAKING
A LEFT AND RIGHT ASSEMBLY.



STEP 3 - SLIDE

QTY	PART NUMBER	DESCRIPTION
4	H100009	BOLT WH 5/16x1 1/4

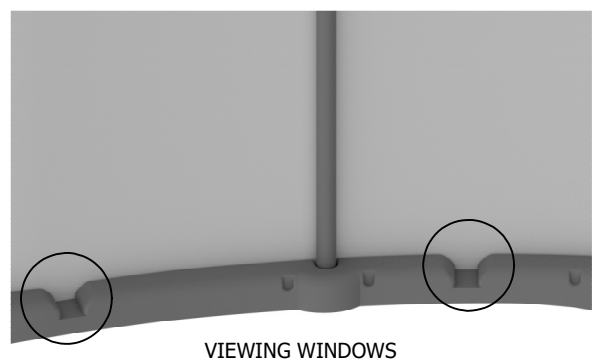
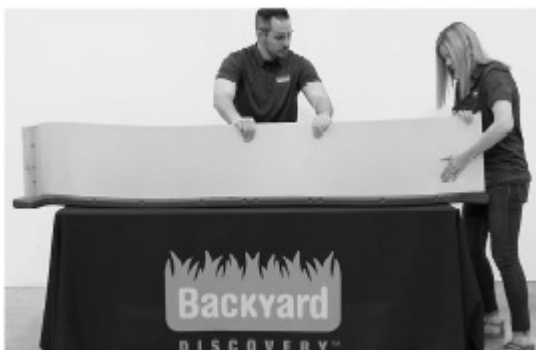
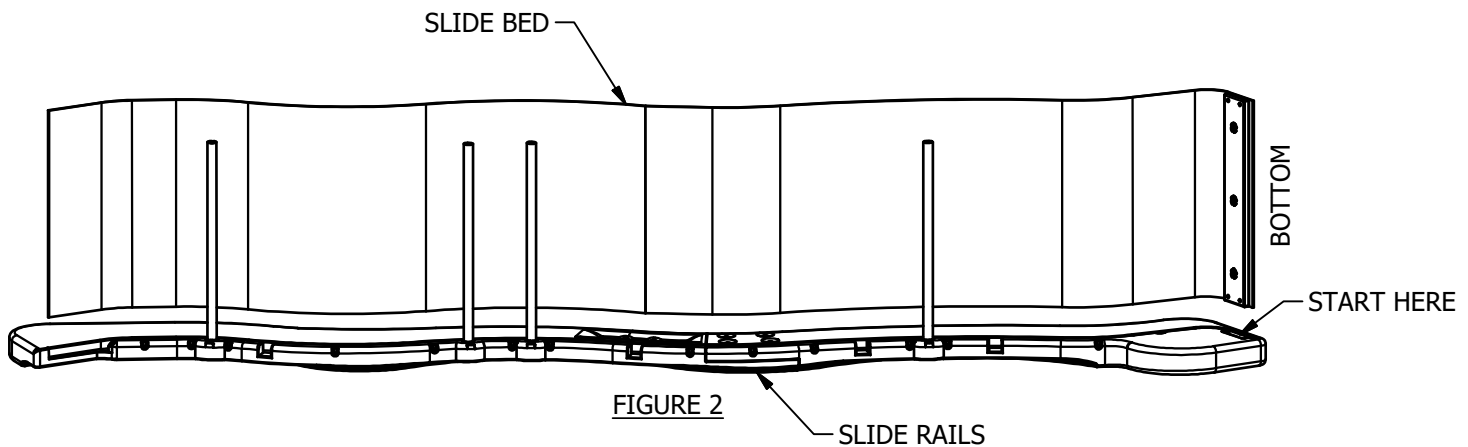
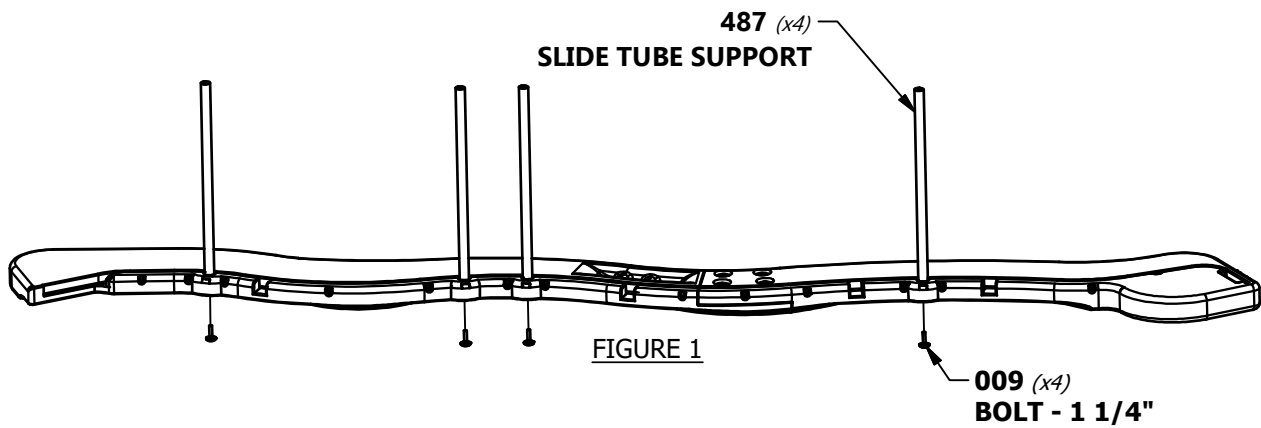


A6P00487
(x4) | **SLIDE TUBE SUPPORT**

NOTE:
INSERT THE (4) SLIDE SUPPORT TUBES INTO THEIR RESPECTIVE PILOT LOCATIONS (FIGURE 1).

PLACE (1) SLIDE RAIL ASSEMBLY ON A FLAT SURFACE AND BEGIN INSERTING SLIDE BED AT THE BOTTOM OF THE SLIDE RAIL (FIGURE 2). HAVE A HELPER BEND THE SLIDE BED TOWARDS THE TOP OF THE SLIDE AND INSERT THE BED INTO THE SLIDE CAVITY. MAKE SURE SLIDE BED IS INSERTED WITHIN 1/8" (3mm) OF GROOVE BOTTOM.

TIP:
A HELPER IS RECOMMENDED FOR THESE FOLLOWING STEPS.



VIEWING WINDOWS

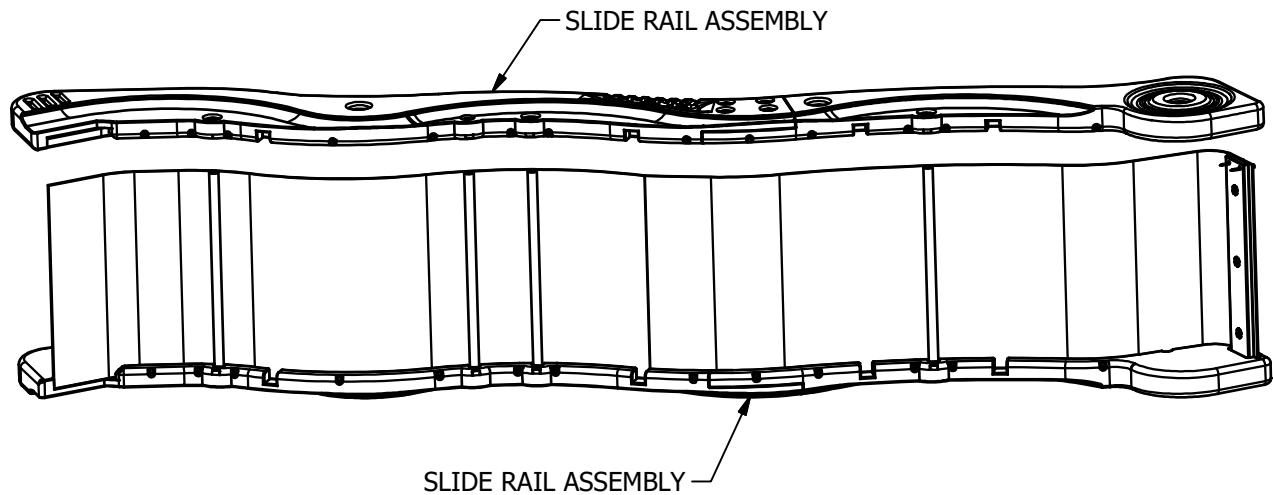
STEP 4 - SLIDE

NOTE:

PLACE SECOND SLIDE RAIL ASSEMBLY OVER THE TOP OF THE SLIDE BED AND SLIDE SUPPORT TUBES. INSERT THE SLIDE BED AND SLIDE SUPPORT TUBES INTO THE SLIDE CAVITY. MAKE SURE SLIDE BED IS INSERTED WITHIN 1/8" (3mm) OF GROOVE BOTTOM.



FAILURE TO INSERT SLIDE BED PROPERLY MAY RESULT IN INJURY OR AMPUTATION. EXPOSED SLIDE EDGES CAN BE SHARP AND BECOME A LACERATION HAZARD IF THE SLIDE IS NOT PROPERLY ASSEMBLED.



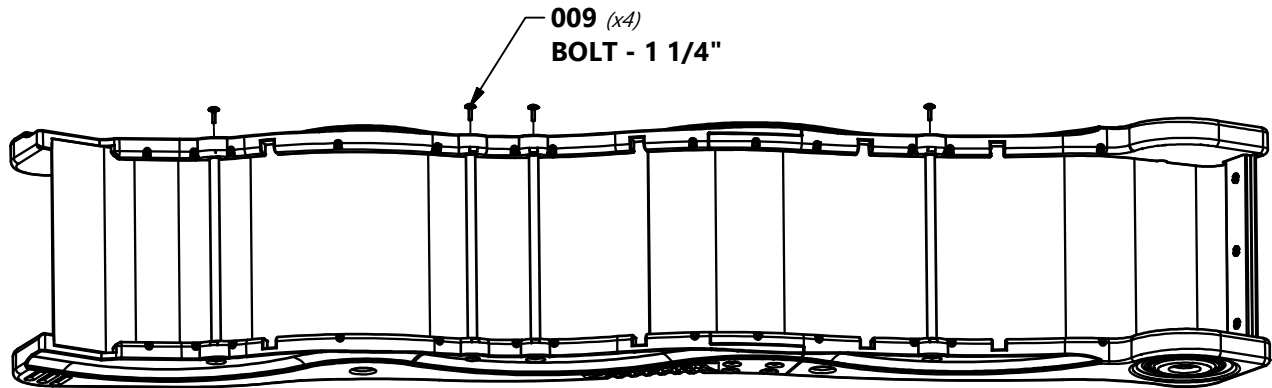
TIP:
USE A RUBBER Mallet TO FULLY SEAT THE SLIDE BED INTO THE SLIDE CAVITY.

STEP 5 - SLIDE

QTY	PART NUMBER	DESCRIPTION
4	H100009	BOLT WH 5/16x1 1/4

NOTE:
USE 1 1/4" BOLTS TO FASTEN EACH
SIDE OF THE SLIDE SUPPORT TUBES.

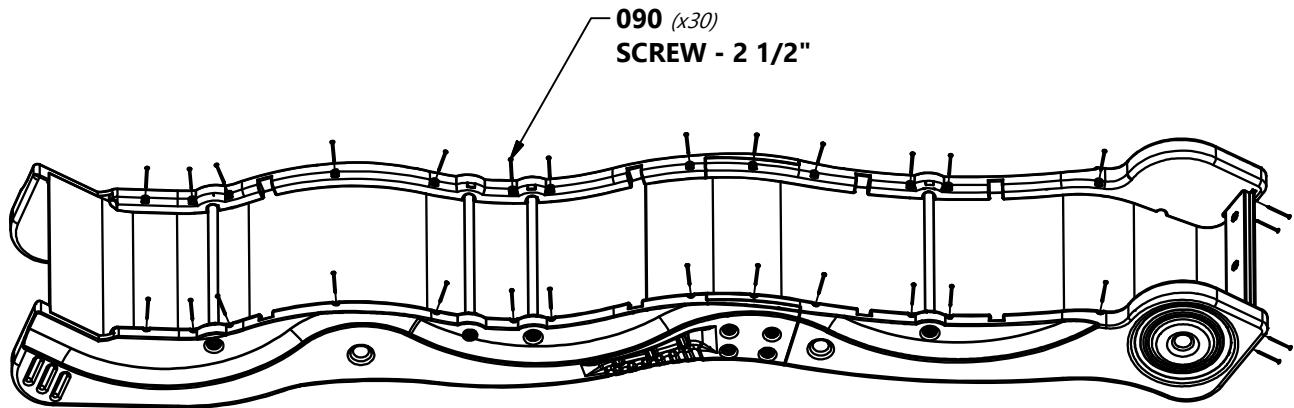
TIP:
HAVING A HELPER HOLD THE SLIDE
ASSEMBLY TOGETHER WHILE YOU FASTEN
WILL MAKE IT EASIER TO ASSEMBLE.



STEP 6 - SLIDE

QTY	PART NUMBER	DESCRIPTION
30	H100090	SCREW PFH 8x2 1/2

NOTE:
USING AN 1/8" DRILL BIT, DRILL PILOT HOLES IN EACH INDENTATION
ALONG EACH SIDE RAIL. THERE SHOULD BE 15 INDENTATIONS ON
EACH RAIL. BE SURE TO DRILL THROUGH THE SLIDE RAIL AND THE
SLIDE BED. THEN SECURE WITH THE PROVIDED HARDWARE.

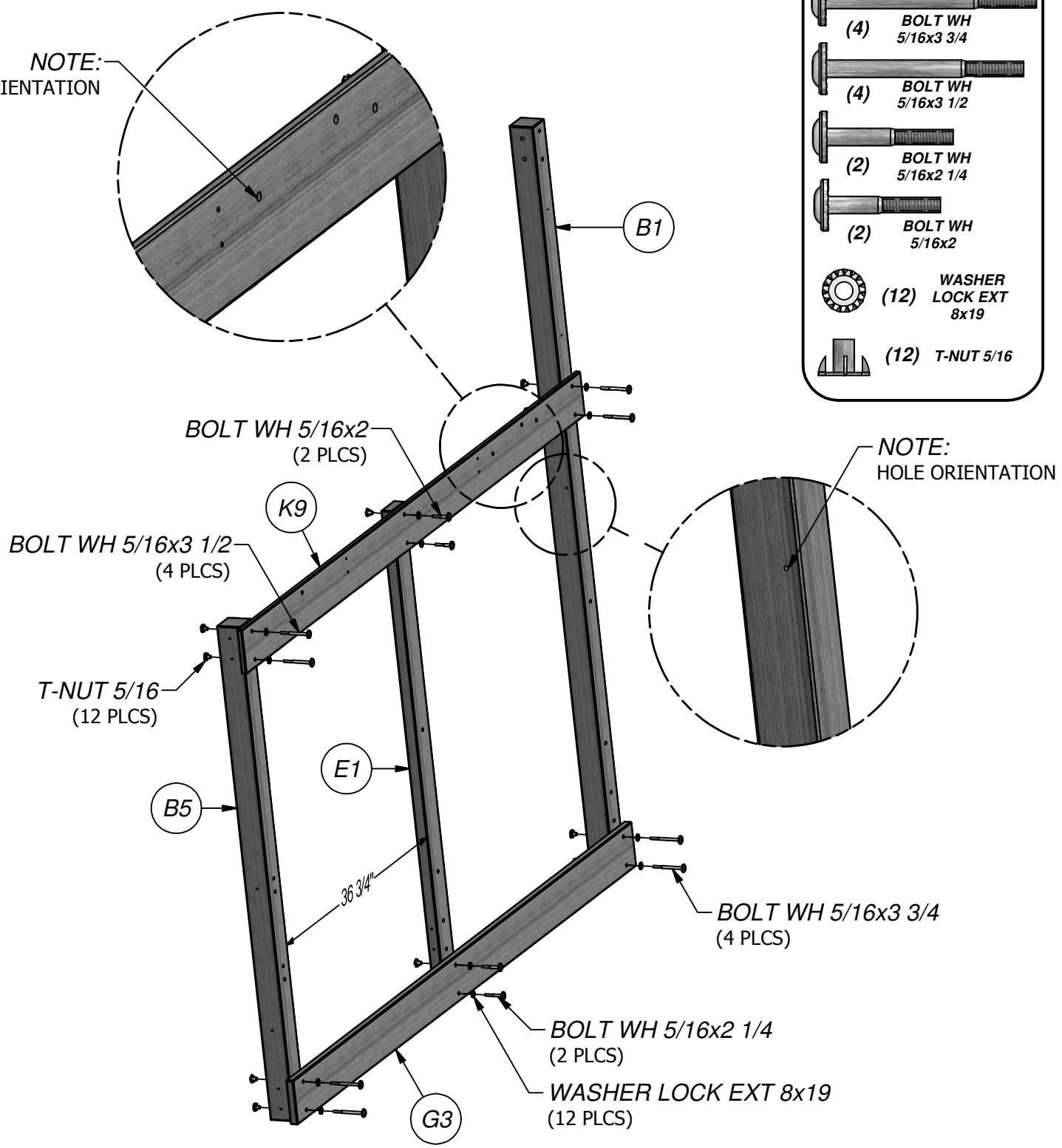


- (1) **B1 - PORCH UPRIGHT - W4L03508**
3"x3"x89 1/2" (76x76x2274)
- (1) **B5 - LOWER UPRIGHT - W100998**
3"x3"x59" (76.0x76.0x1500.0)
- (1) **E1 - CENTER UPRIGHT - W4L05650**
3 3/8"x1 3/8"x59" (86x36.0x1500.0)

- (1) **G3 - GROUND BOARD - W4L05651**
1"x5 1/4"x88 7/8" (24.0x134.0x2256.0)
- (1) **K9 - FLOOR RAIL - W4L05656**
5/8"x5 1/4"x88 7/8" (16x134x2256)

STEP 1

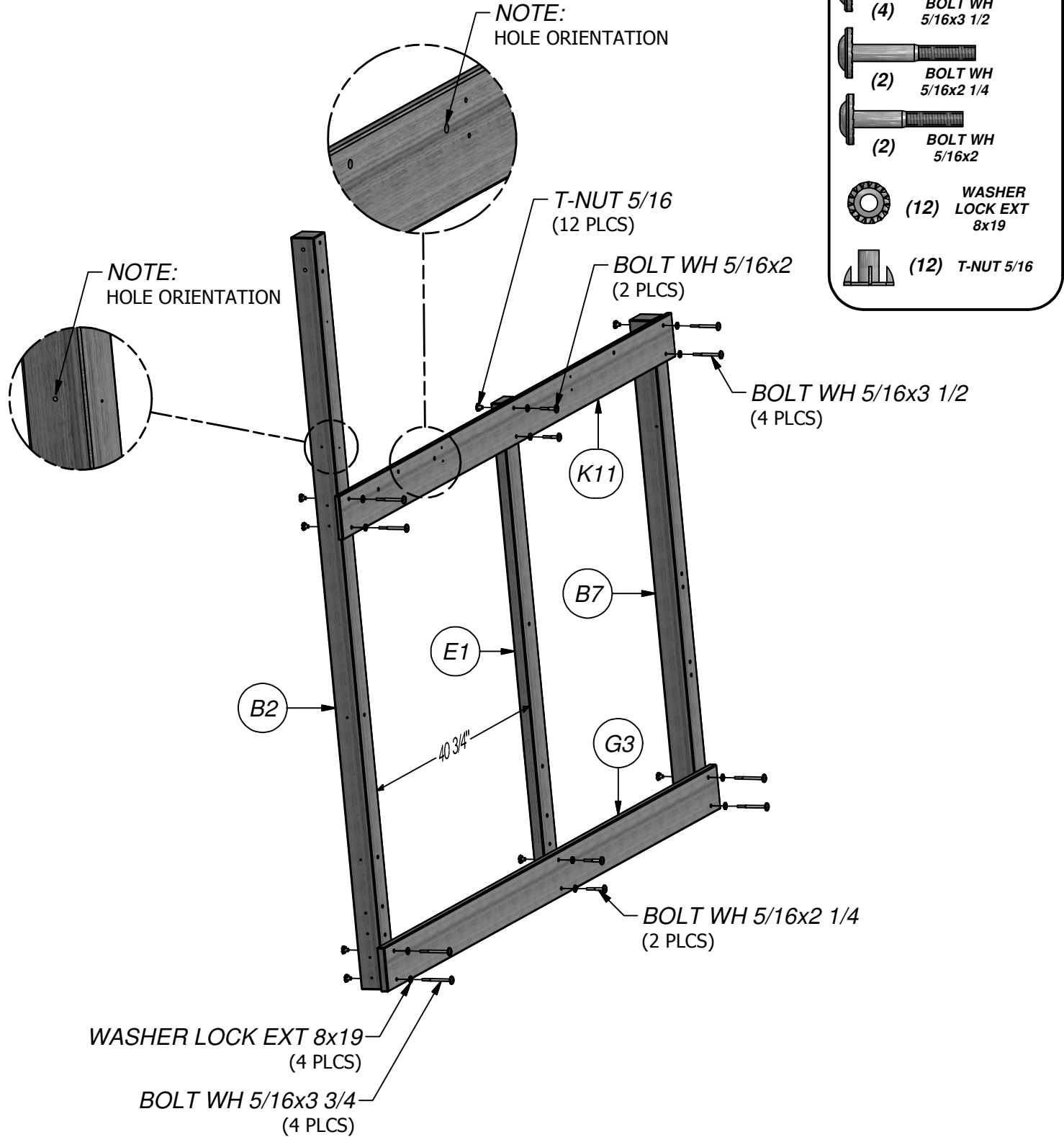
NOTE:
HOLE ORIENTATION

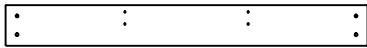


- (1) **B2 - PORCH UPRIGHT - W4L05692**
3"x3"x89 1/2" (76x76x2274)
- (1) **B7 - LOWER UPRIGHT - W101033**
3"x3"x59" (76.0x76.0x1500.0)
- (1) **E1 - CENTER UPRIGHT - W4L05650**
3 3/8"x1 3/8"x59" (86x36.0x1500.0)

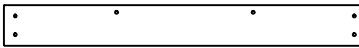
- (1) **G3 - GROUND BOARD - W4L05651**
1"x5 1/4"x88 7/8" (24.0x134.0x2256.0)
- (1) **K11 - FLOOR RAIL - W4L05657**
5/8"x5 1/4"x88 7/8" (16.0x134.0x2256.0)

STEP 2

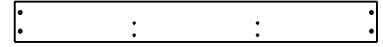




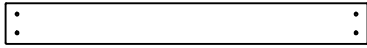
G8 - GROUND BOARD - W101000
 (1) 1"x5 1/4"x47 1/8" (24x134x1198)



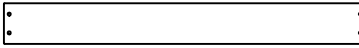
G1 - FORT RAIL - W4L05694
 (2) 1"x5 1/4"x47 1/8" (24x134x1198)



G13 - GROUND BOARD - W4L05655
 (1) 1"x5 1/4"x47 1/8" (24x134x1198)

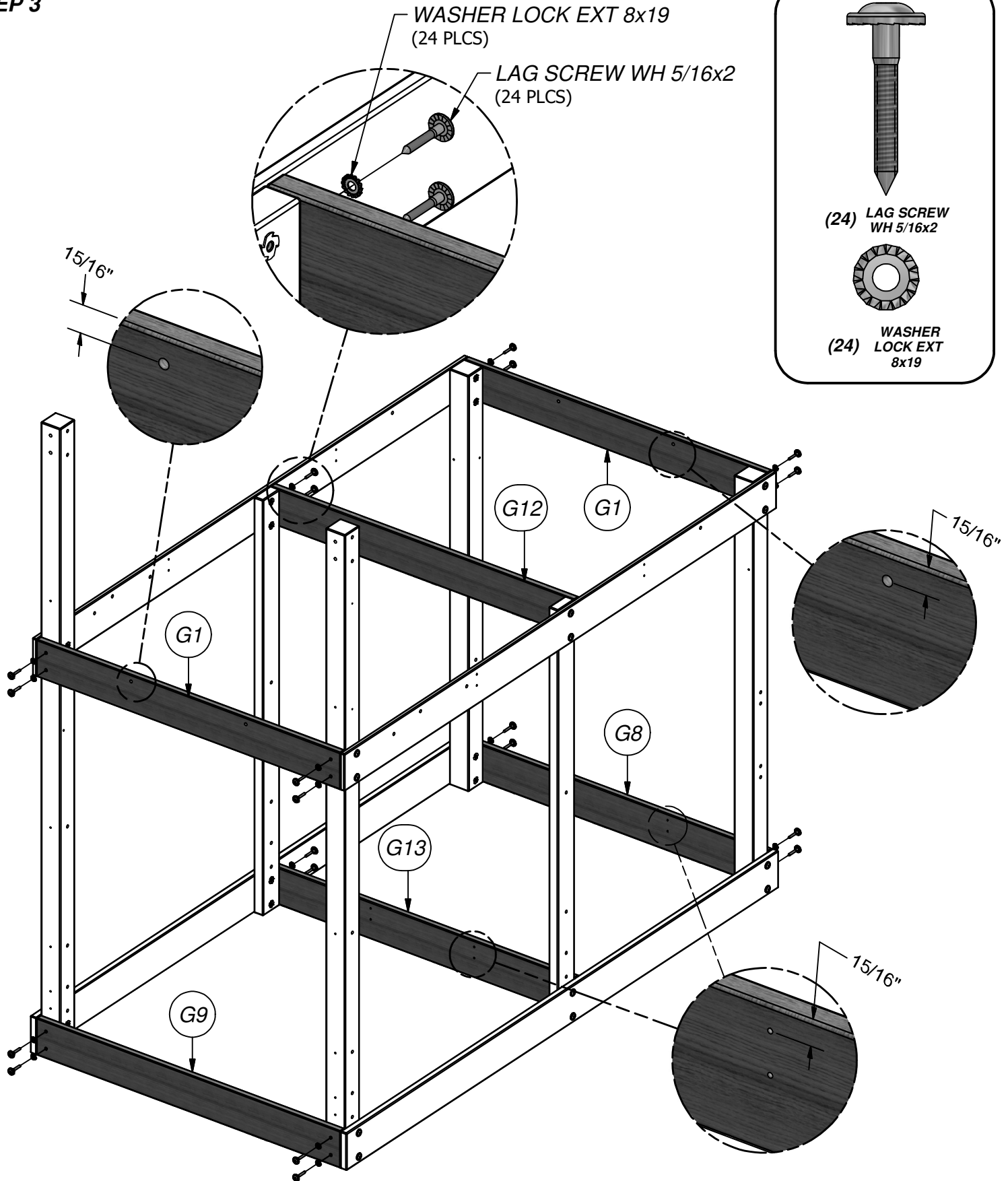


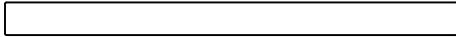
G9 - GROUND BOARD/FORT RAIL - W101035
 (1) 1"x5 1/4"x47 1/8" (24x134x1198)



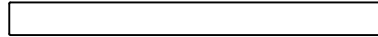
G12 - FORT RAIL - W4L05653
 (1) 1"x5 1/4"x47 1/8" (24x134x1198)

STEP 3



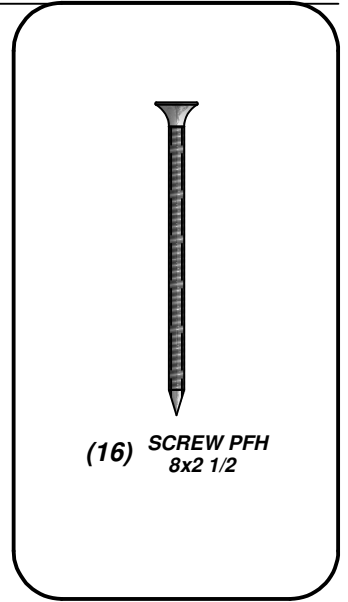
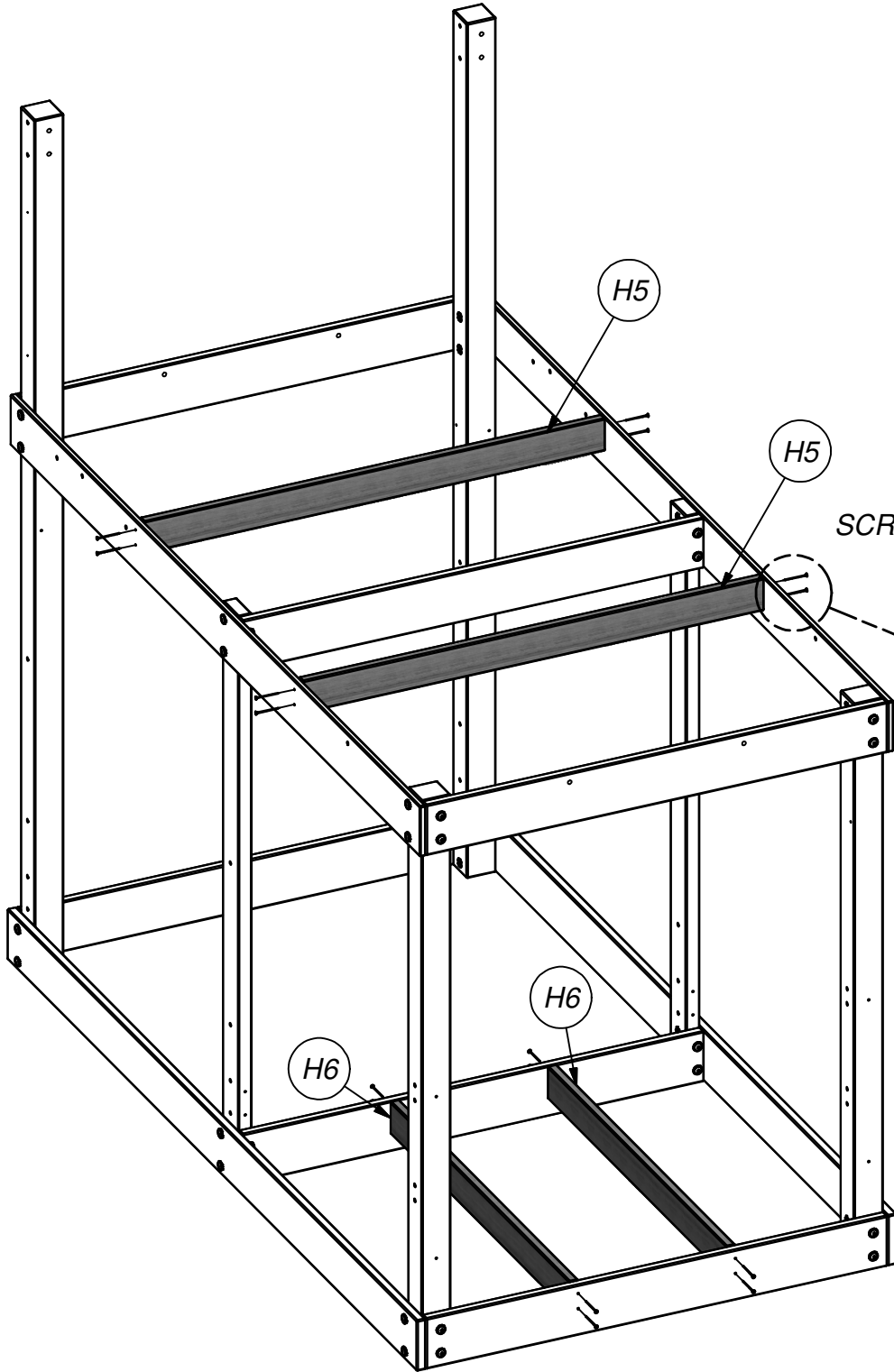


H5 - FLOOR SUPPORT - W101038
 (2) 1"x3 3/8"x47 1/8" (24.0x86.0x1198.0)

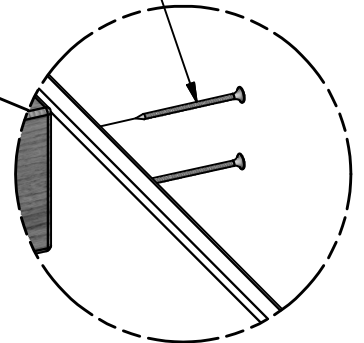


H6 - FLOOR SUPPORT - W101036
 (2) 1"x3 3/8"x38 7/8" (24.0x86.0x986.0)

STEP 4

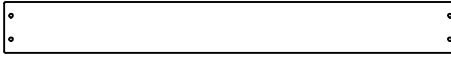


SCREW PFH 8x2 1/2
(16 PLCS)



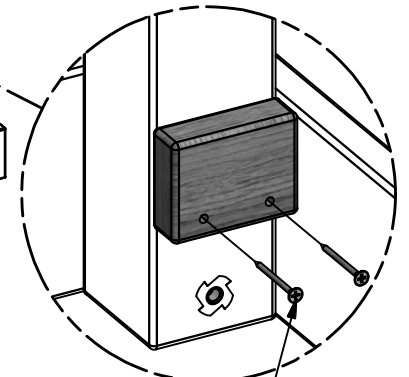
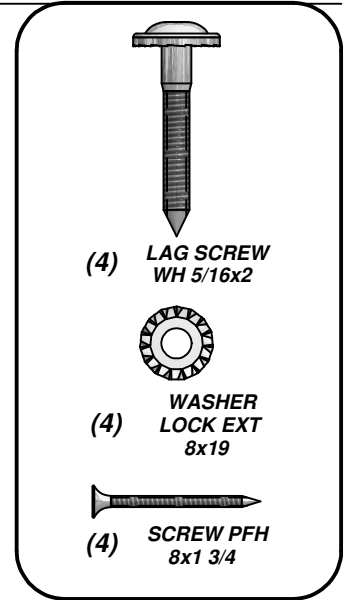
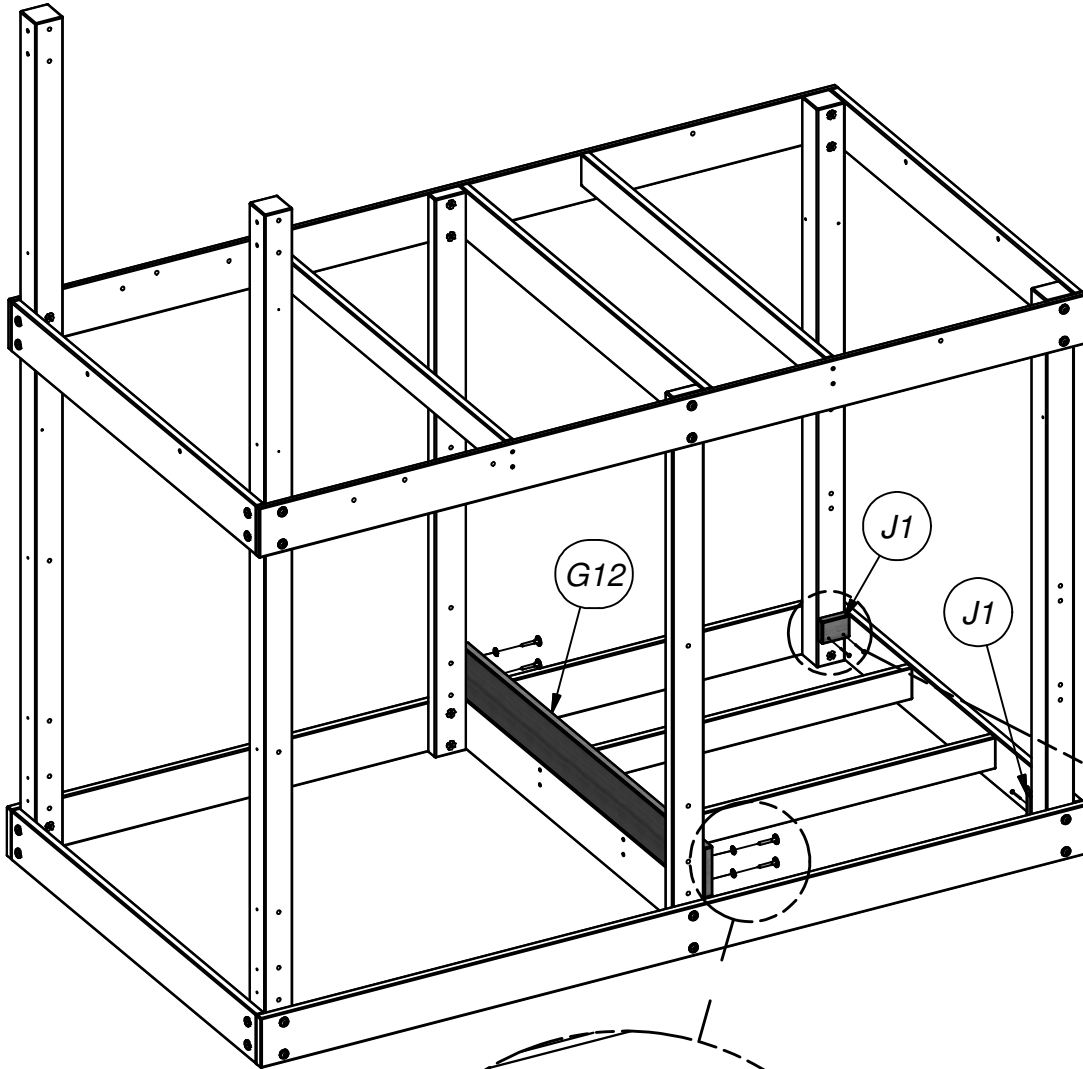


(2) **J1 - FLOOR SUPPORT - W101037**
 1"x2 3/8"x3" (24x60x76)

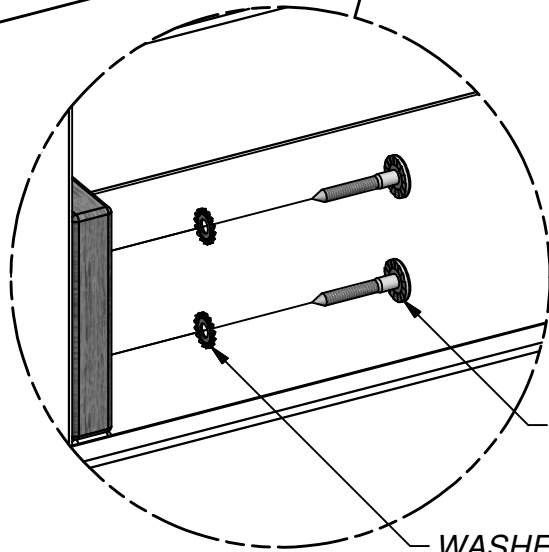


(1) **G12 - FORT RAIL - W4L05653**
 1"x5 1/4"x47 1/8" (24.0x134.0x1198.0)

STEP 5

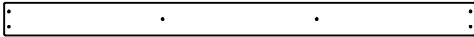


SCREW PFH 8x1 3/4
(4 PLCS)

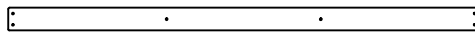


LAG SCREW WH 5/16x2
(4 PLCS)

WASHER LOCK EXT 8x19
(4 PLCS)



(9) **M6 - FLOOR BOARD - W101007**
 5/8"x3 3/8"x49" (16.0x86.0x1246.0)



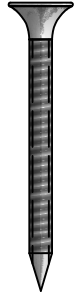
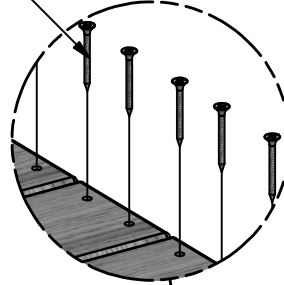
(2) **N2 - FLOOR BOARD - W101044**
 5/8"x2 3/8"x49" (16.0x60.0x1246.0)



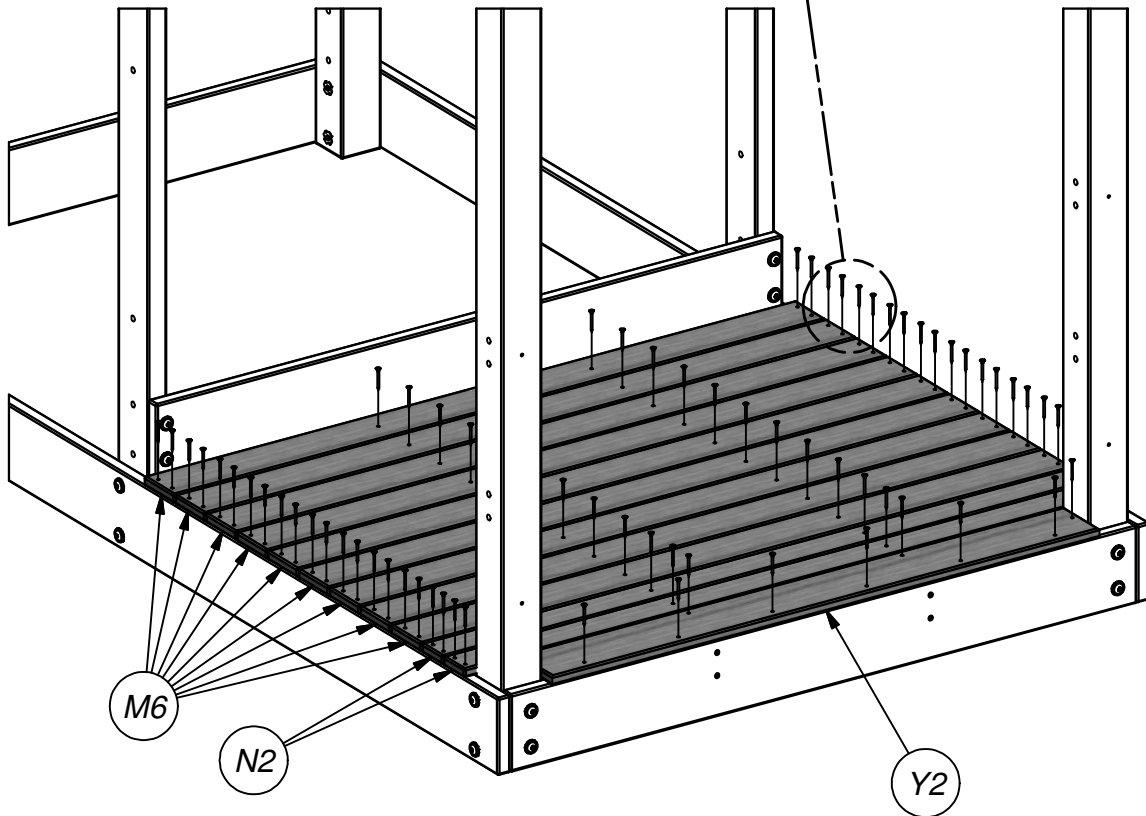
(1) **Y2 - OUTER FLOOR BOARD - W101034**
 5/8"x4"x41 1/8" (16.0x102.0x1046.0)

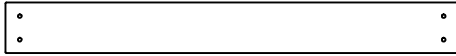
STEP 6

SCREW PFH 8x1 1/2
 (76 PLCS)

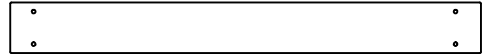


(76) **SCREW PFH**
 8x1 1/2



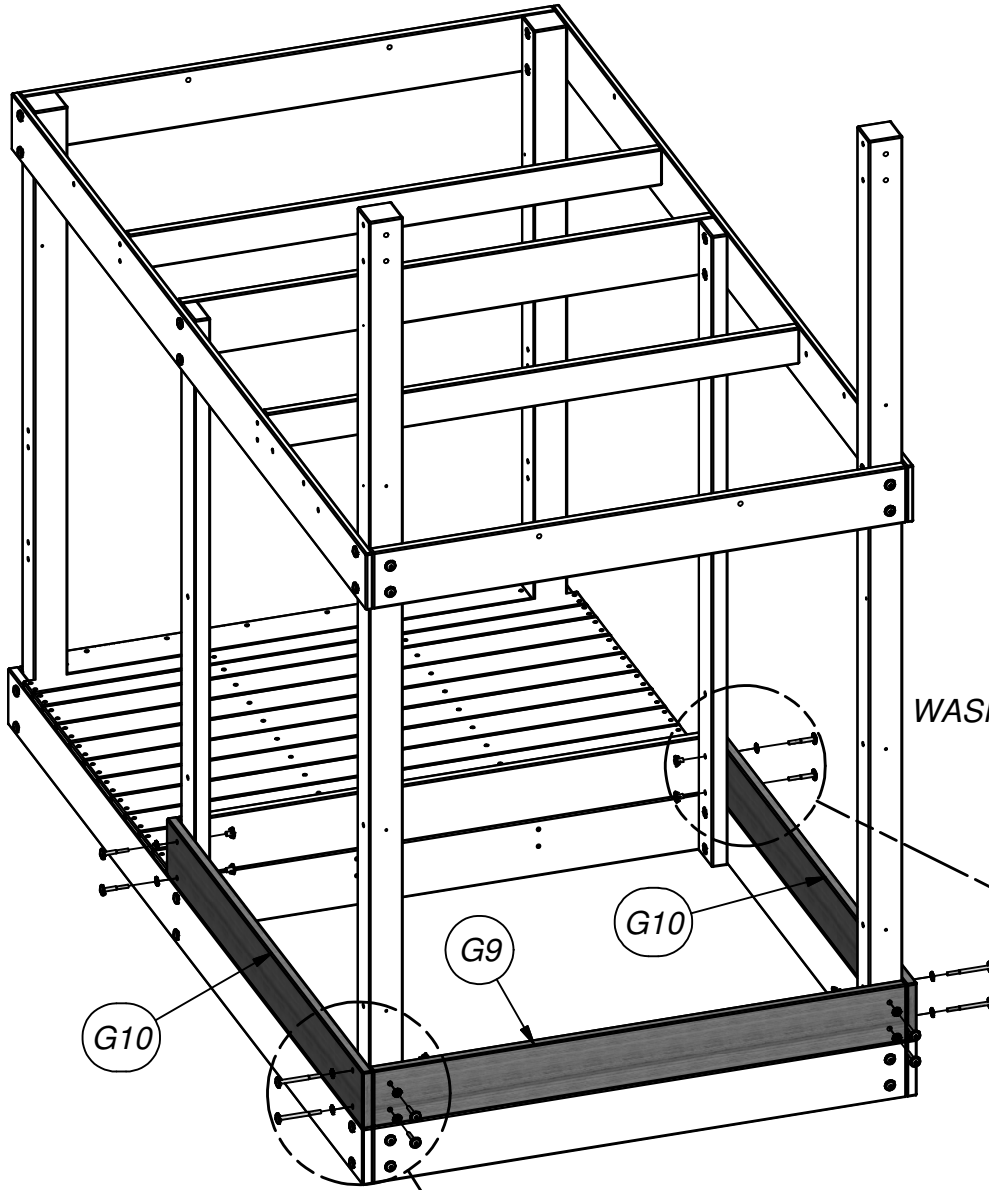



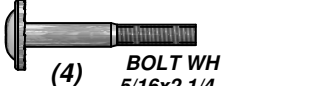



(1) **G9 - GROUND BOARD/FORT RAIL - W101035**
1"x5 1/4"x47 1/8" (24.0x134.0x1198.0)



(2) **G10 - FORT RAIL - W4L05652**
1"x5 1/4"x49" (24.0x134.0x1246.0)

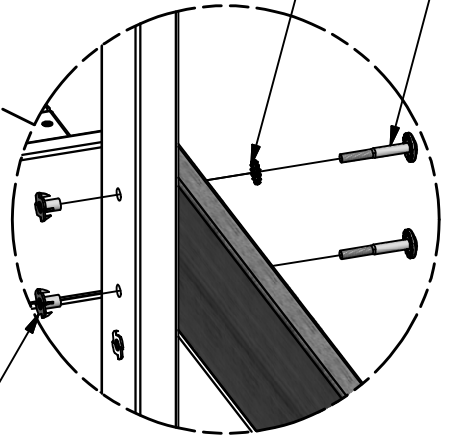
STEP 7



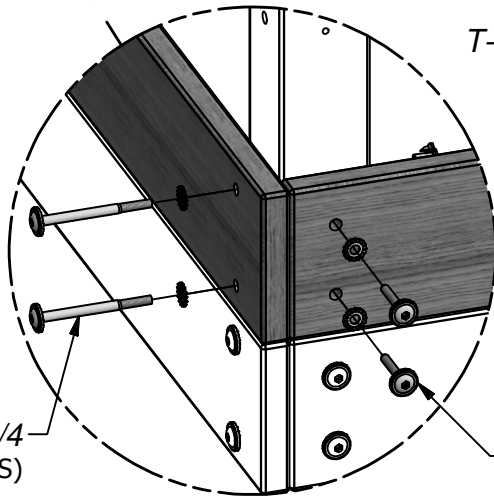
-  (4) **BOLT WH 5/16x3 3/4**
-  (4) **BOLT WH 5/16x2 1/4**
-  (4) **LAG SCREW WH 5/16x2**
-  (12) **WASHER LOCK EXT 8x19**
-  (8) **T-NUT 5/16**

BOLT WH 5/16x2 1/4
(4 PLCS)

WASHER LOCK EXT 8x19
(12 PLCS)

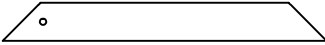


T-NUT 5/16
(8 PLCS)



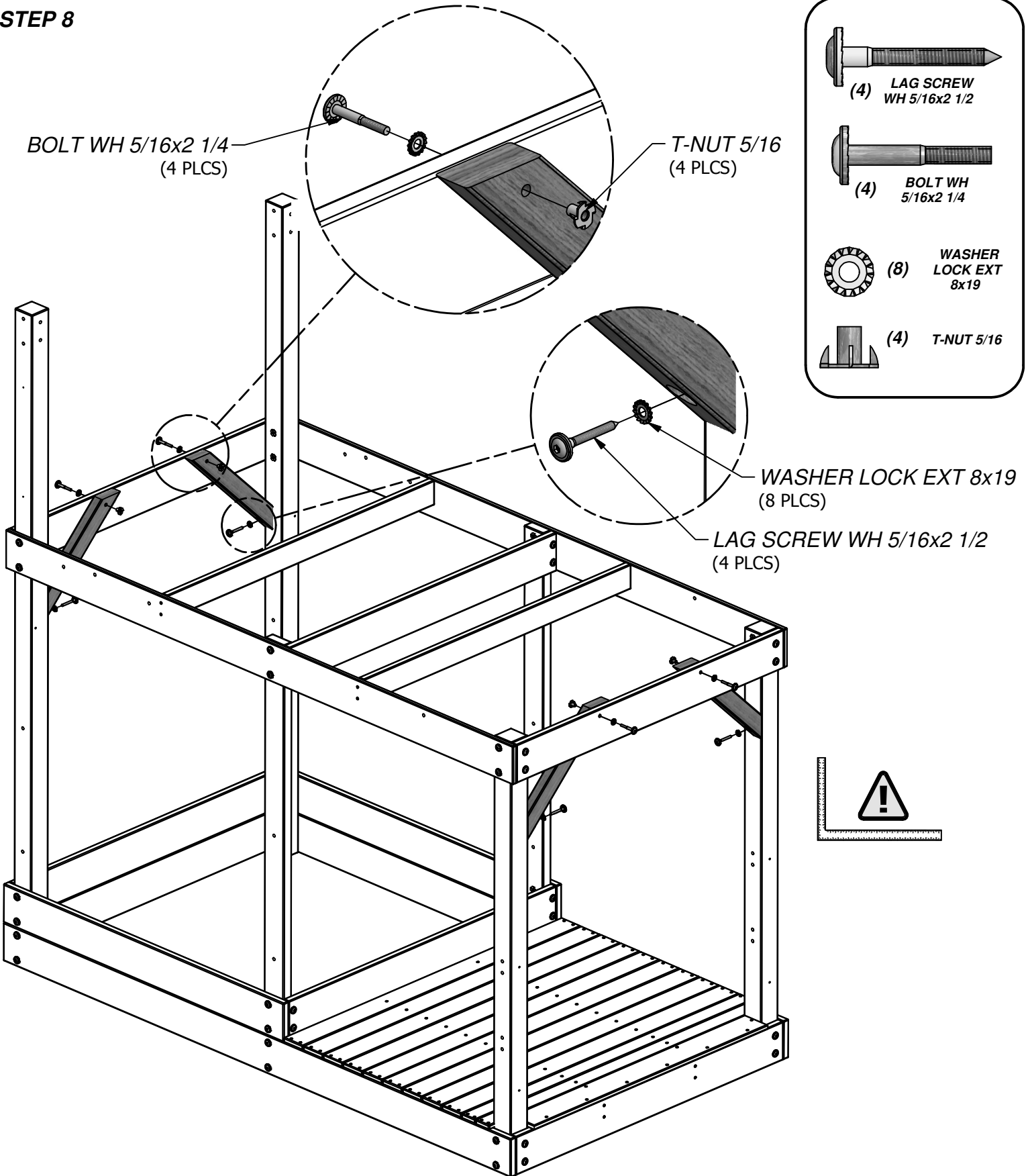
BOLT WH 5/16x3 3/4
(4 PLCS)

LAG SCREW WH 5/16x2
(4 PLCS)



(4) **F1 - ANGLE BRACE - W4L05660**
1 3/8"x2 3/8"x20 1/4" (36x60x514)

STEP 8

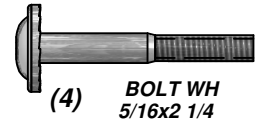


BOLT WH 5/16x2 1/4
(4 PLCS)

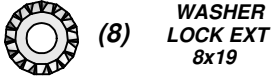
T-NUT 5/16
(4 PLCS)



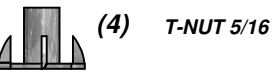
(4) **LAG SCREW**
WH 5/16x2 1/2



(4) **BOLT WH**
5/16x2 1/4



(8) **WASHER**
LOCK EXT
8x19

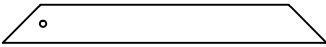


(4) **T-NUT 5/16**

WASHER LOCK EXT 8x19
(8 PLCS)

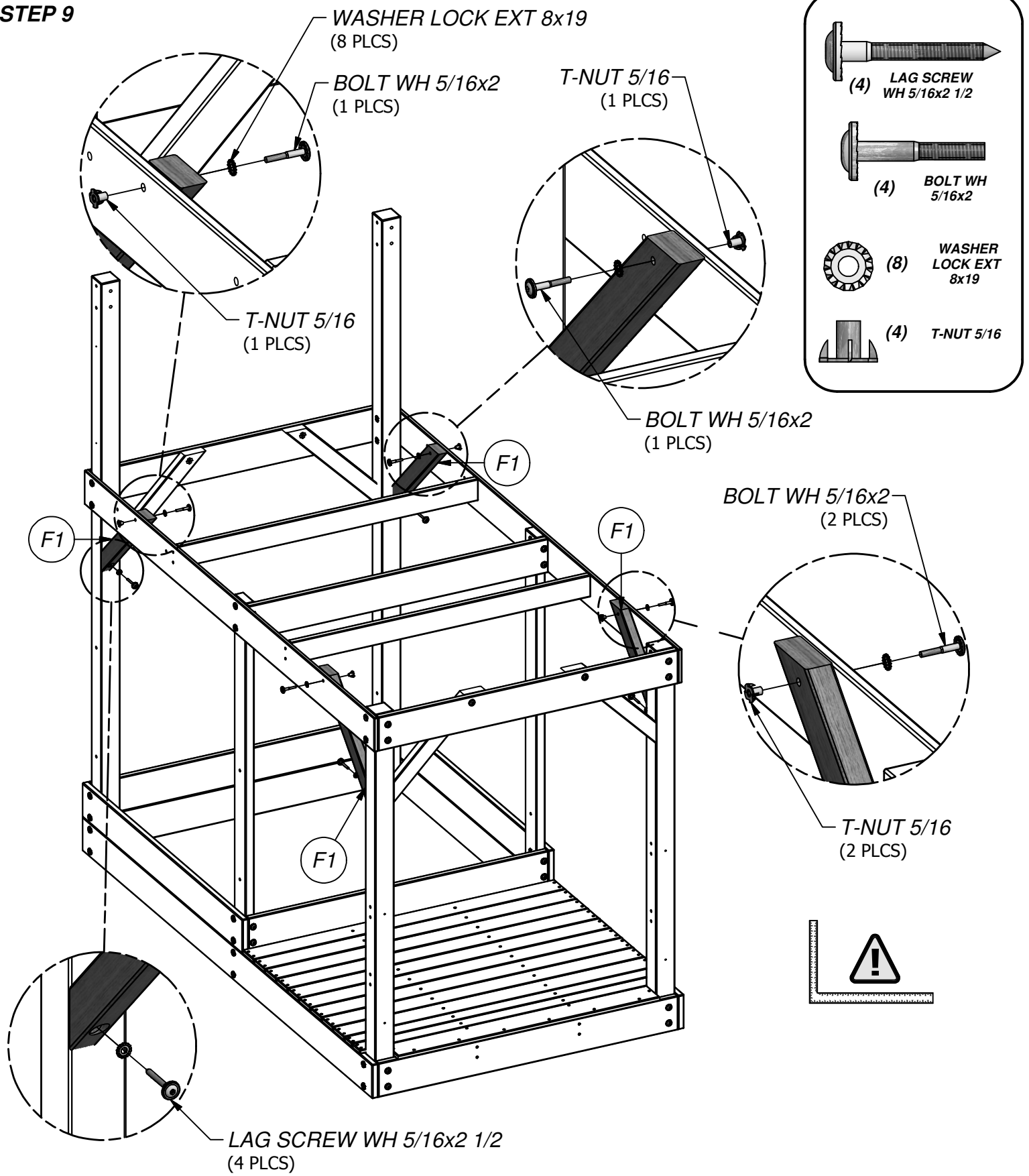
LAG SCREW WH 5/16x2 1/2
(4 PLCS)





(4) **F1 - ANGLE BRACE - W4L05660**
1 3/8"x2 3/8"x20 1/4" (36x60x514)

STEP 9



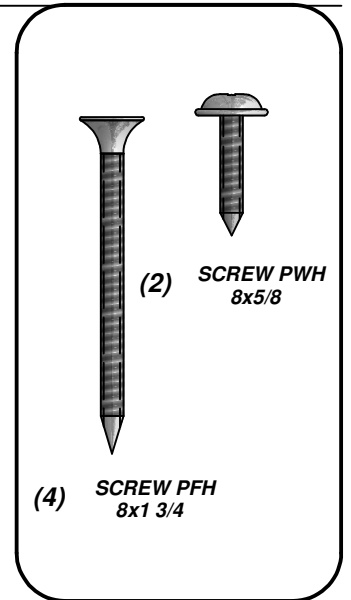
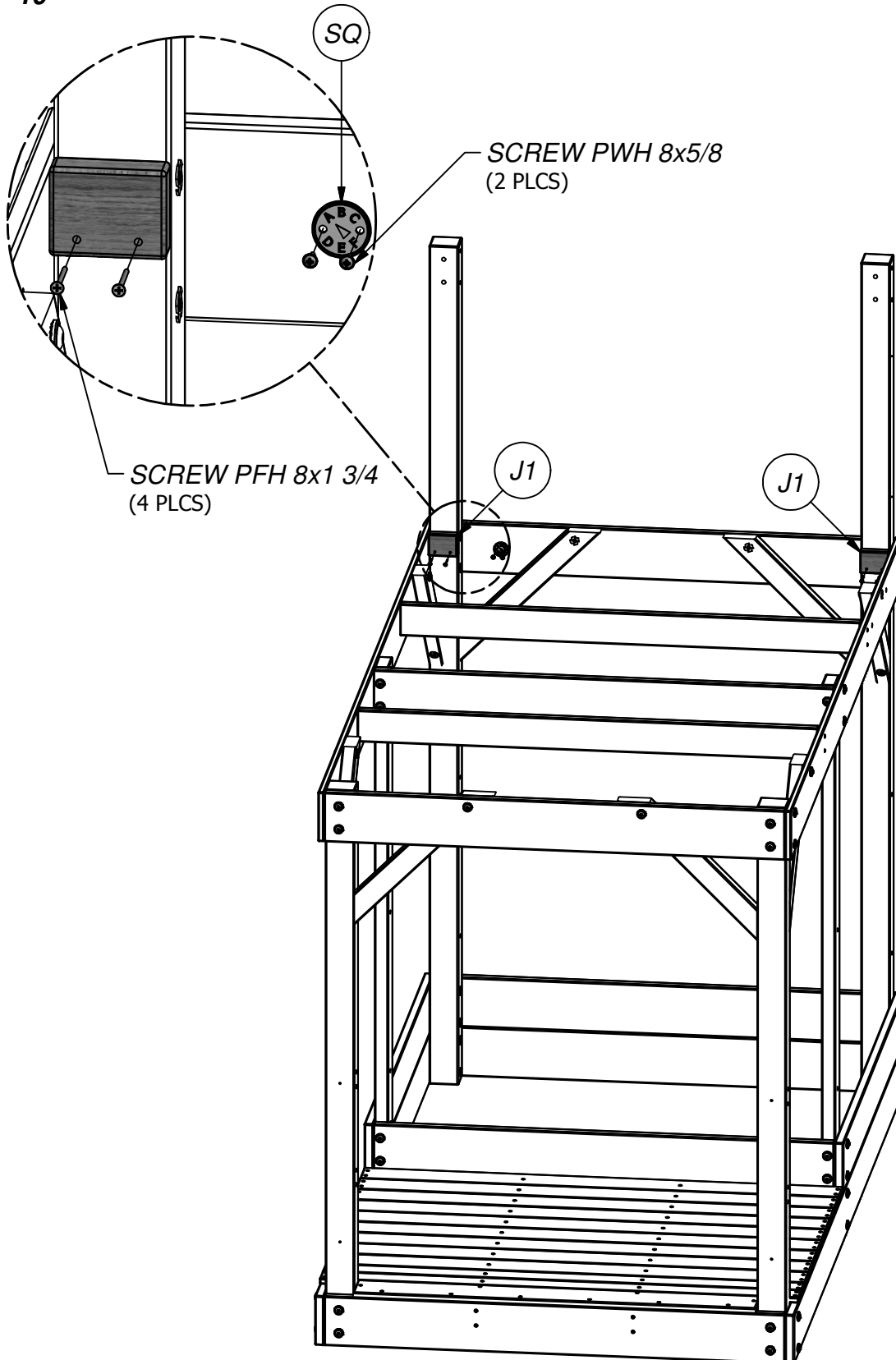


(2) **J1 - FLOOR SUPPORT - W101037**
1"x2 3/8"x3" (24x60x76)



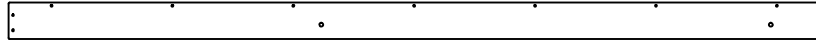
(1) **SQ - "A" REVISION TAG - A100314**

STEP 10



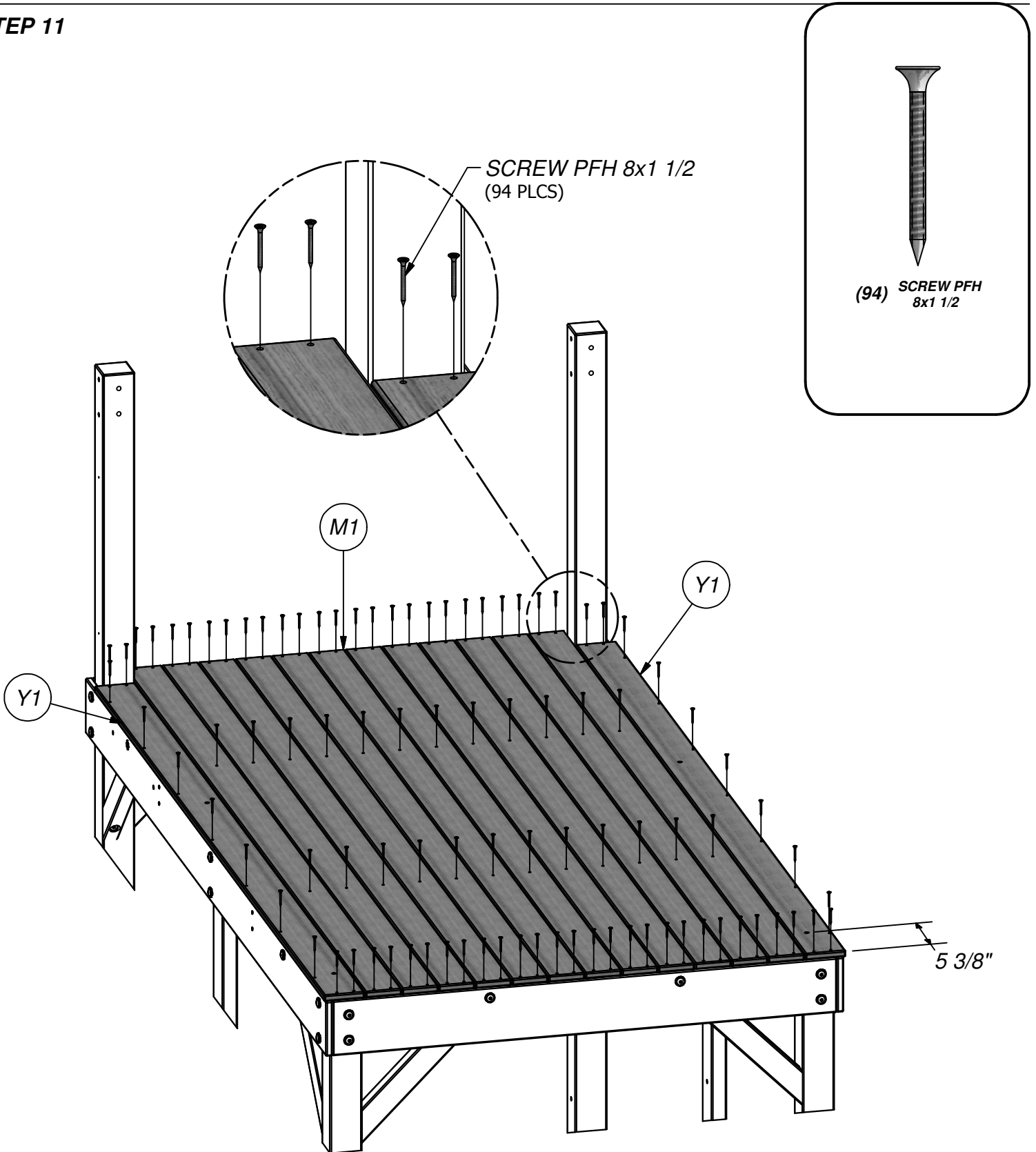


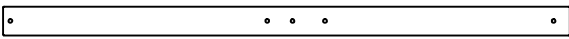
M1 - FLOOR BOARD - W4L05695
(12) 5/8"x3 3/8"x88 7/8" (16.0x86.0x2256.0)



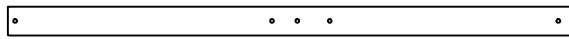
Y1 - OUTER FLOOR BOARD - W4L05658
(2) 5/8"x3 3/4"x84 7/8" (16x96x2156)

STEP 11

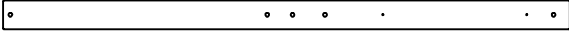




(2) **B4 - FORT UPRIGHT - W4L05684**
3"x3"x59" (76.0x76.0x1500.0)



(1) **B8 - FORT UPRIGHT - W4L05685**
3"x3"x59" (76.0x76.0x1500.0)

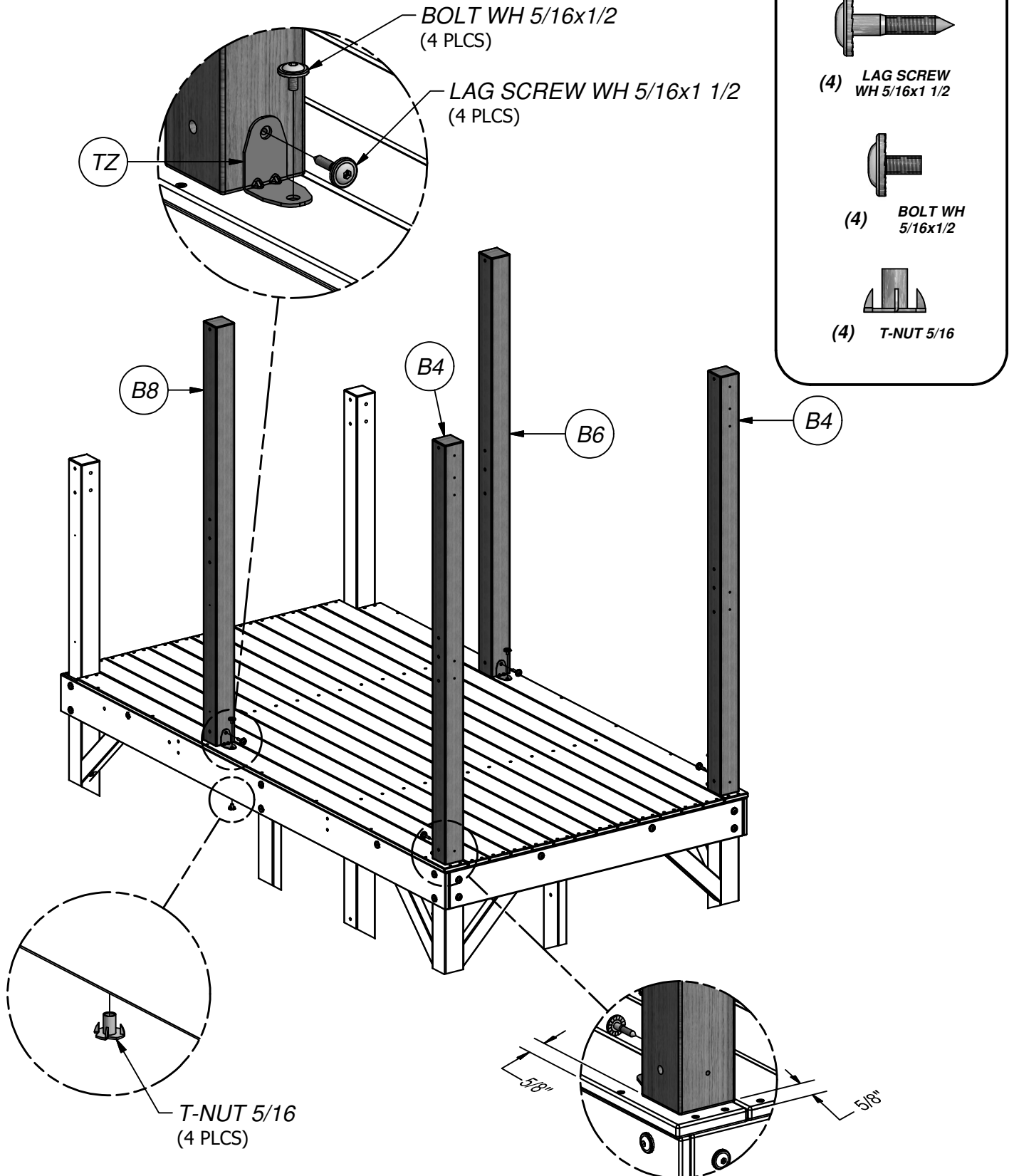


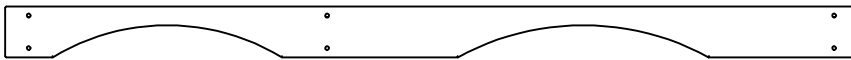
(1) **B6 - FORT UPRIGHT - W4L05686**
3"x3"x59" (76.0x76.0x1500.0)



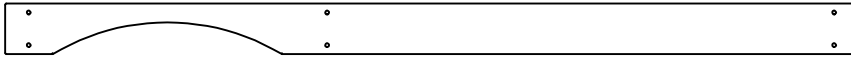
(4) **TZ - L BRACKET 2.5x38x50x55 - A100340**

STEP 12





(1) **K1 - ARCHED WALL RAIL - W4L05665**
5/8"x5 1/4"x88 1/2" (16.0x134.0x2248.0)

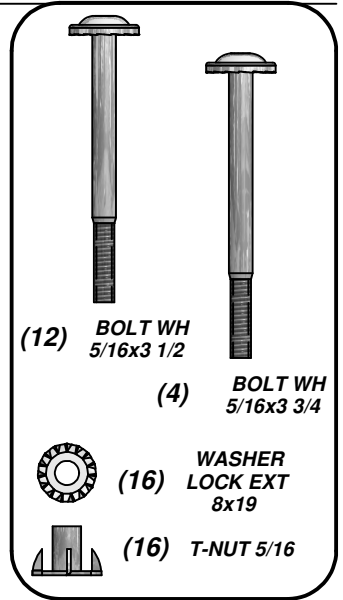
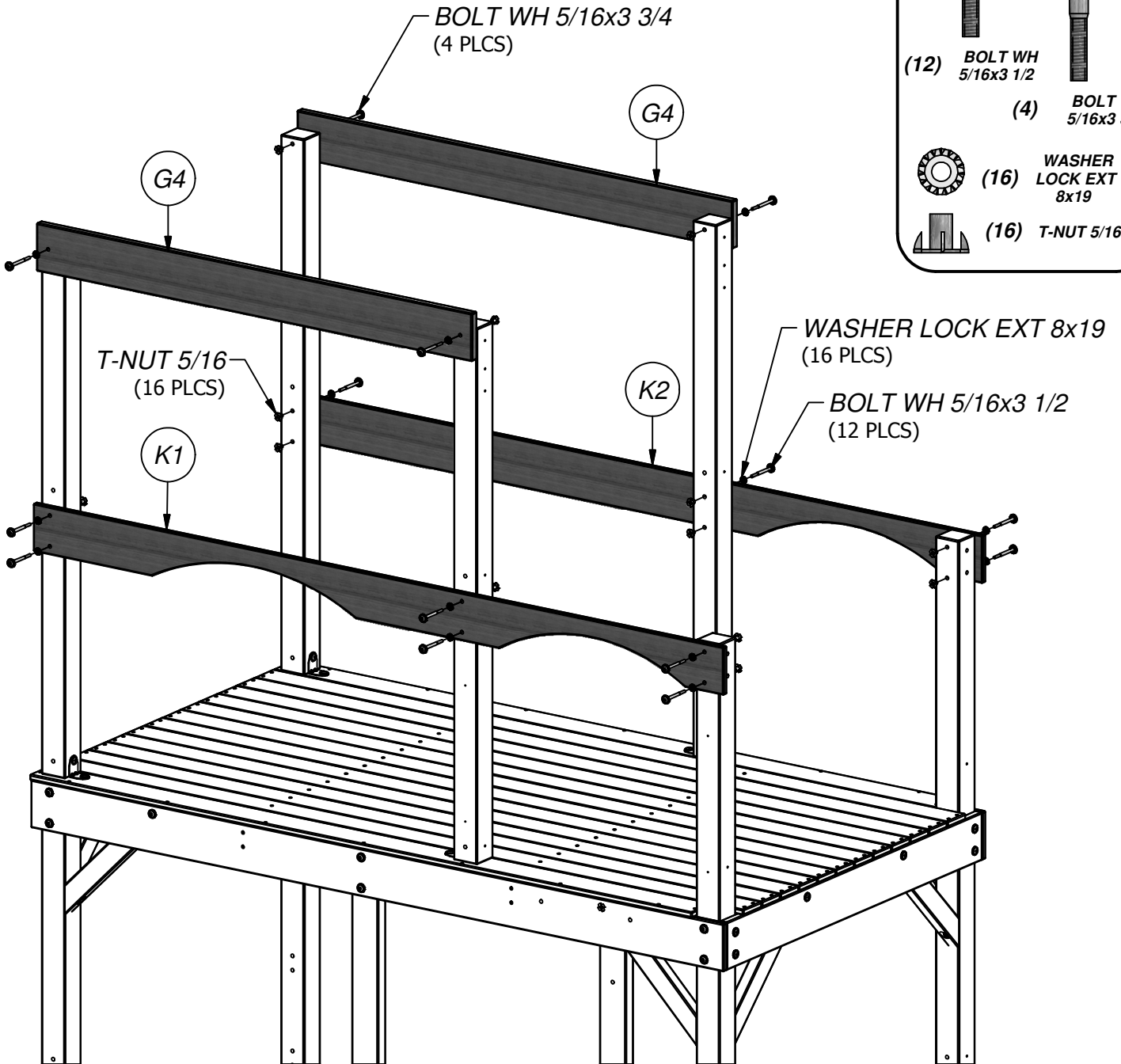


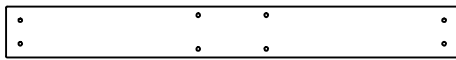
(1) **K2 - WALL RAIL SINGLE ARCH - W4L05659**
5/8"x5 1/4"x88 1/2" (16.0x134.0x2248.0)



(2) **G4 - FLOOR SUPPORT - W4L05673**
1"x5 1/4"x55 7/8" (24.0x134.0x1418.0)

STEP 13

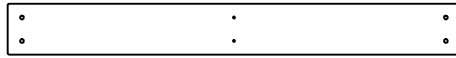




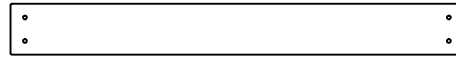
(1) **G6 - SWING BEAM SUPPORT - W101015**
1"x5 1/4"x47 1/8" (24.0x134.0x1198.0)



(1) **K10 - FORT RAIL - W4L05671**
5/8"x5 1/4"x47 1/8" (16.0x134.0x1198.0)

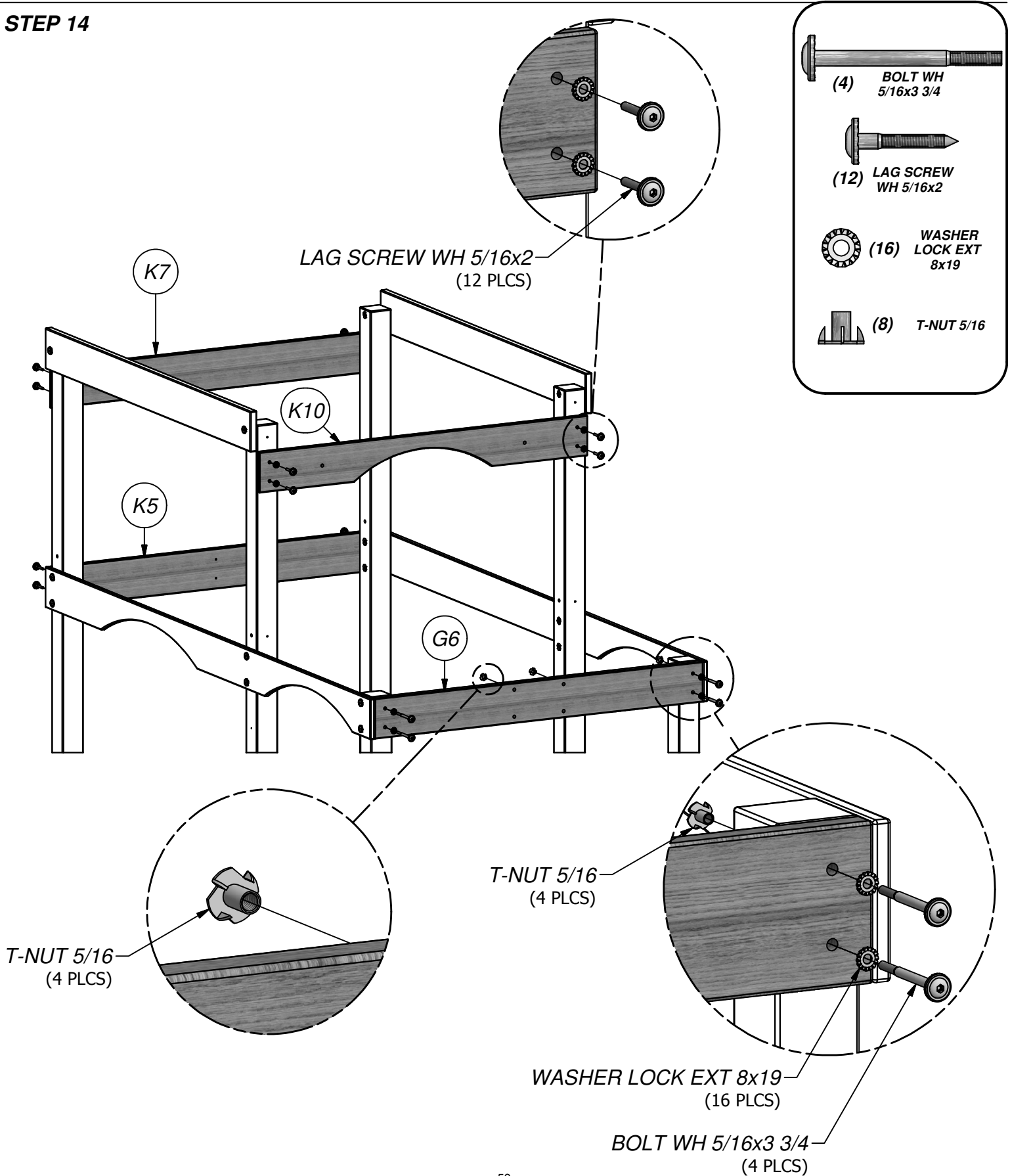


(1) **K5 - WALL BOARD - W101063**
5/8"x5 1/4"x47 1/8" (16.0x134.0x1198.0)



(1) **K7 - WALL BOARD - W101074**
5/8"x5 1/4"x47 1/8" (16.0x134.0x1198.0)

STEP 14



(4) **BOLT WH**
5/16x3 3/4

(12) **LAG SCREW**
WH 5/16x2

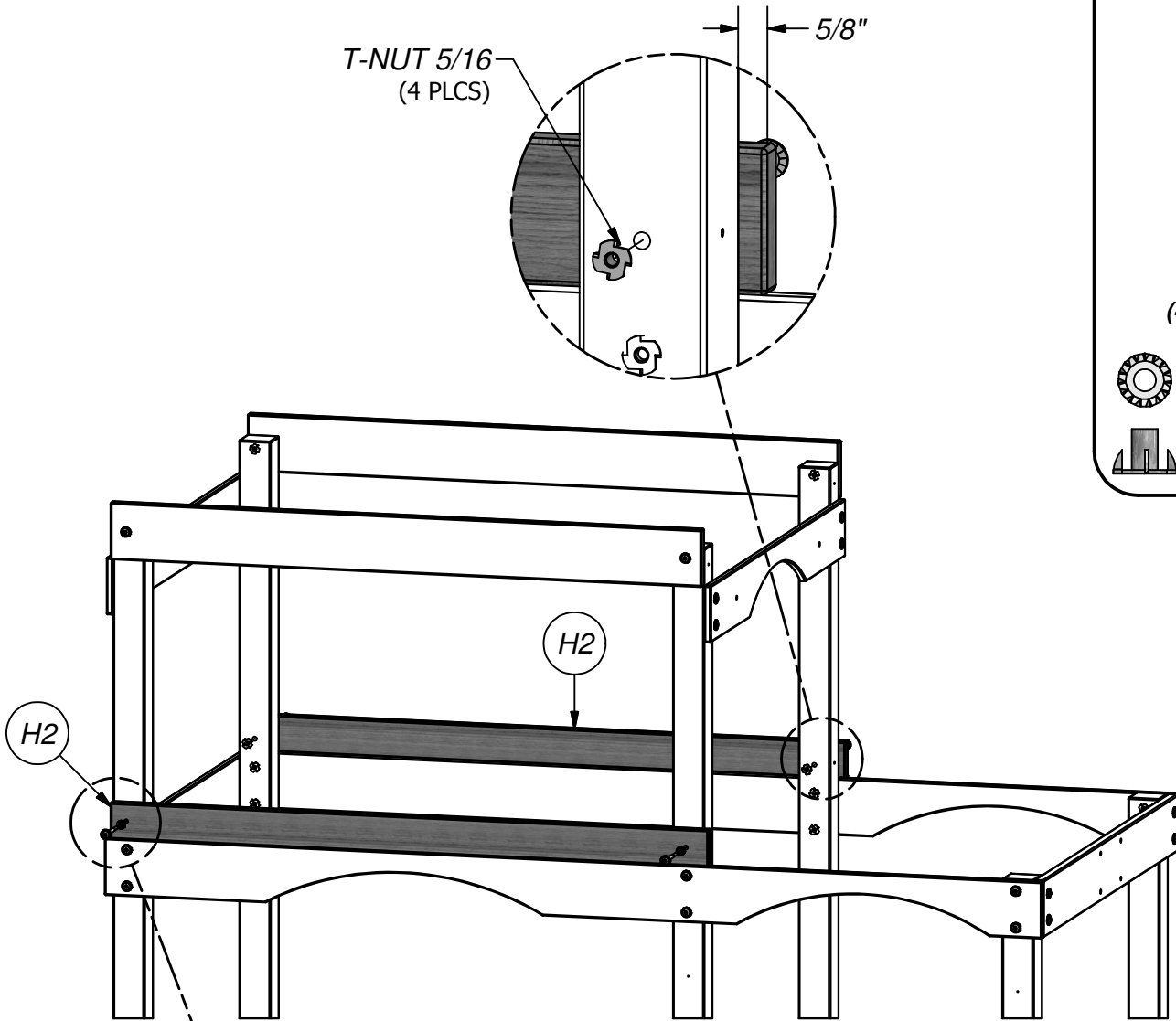
(16) **WASHNER**
LOCK EXT
8x19

(8) **T-NUT 5/16**



H2 - WALL RAIL - W4L05666
(2) 1"x3 3/8"x56 1/2" (24.0x86.0x1434.0)

STEP 15



T-NUT 5/16
(4 PLCS)

5/8"

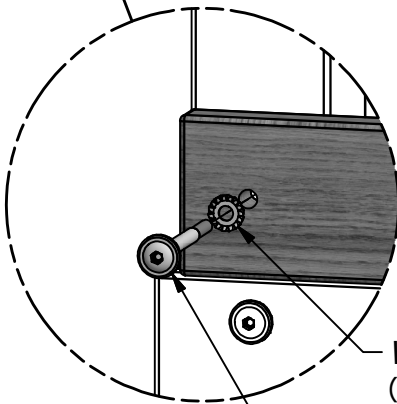
H2

H2

(4) BOLT WH
5/16x3 3/4

(4) WASHER
LOCK EXT
8x19

(4) T-NUT 5/16



WASHER LOCK EXT 8x19
(4 PLCS)

BOLT WH 5/16x3 3/4
(4 PLCS)

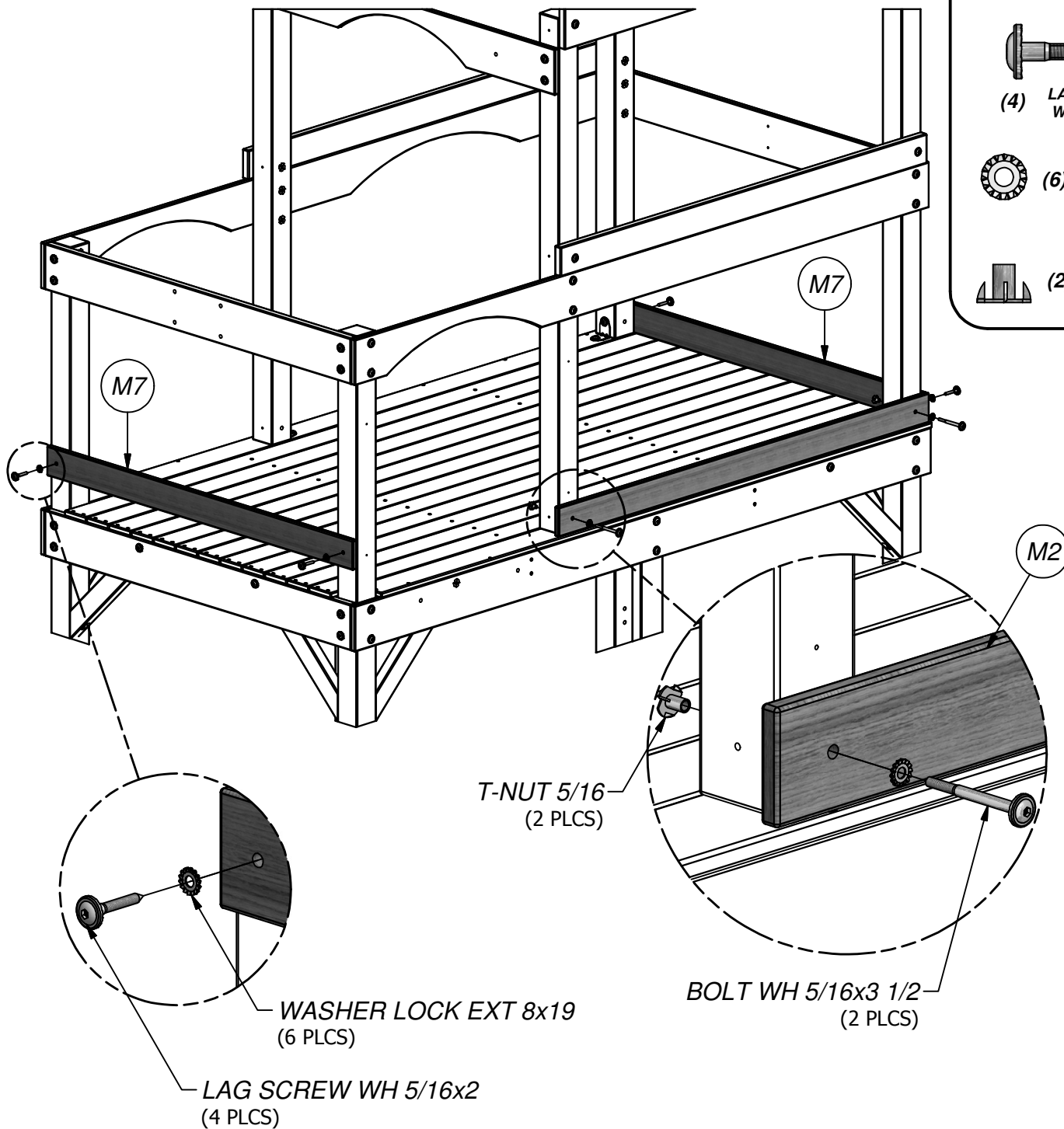


(2) **M7 - WALL RAIL - W101019**
5/8"x3 3/8"x47 1/8" (16.0x86.0x1198.0)



(1) **M2 - WALL RAIL - W4L05668**
5/8"x3 3/8"x57 1/8" (16.0x86.0x1450.0)

STEP 16

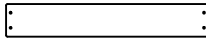


(2) **BOLT WH**
5/16x3 1/2

(4) **LAG SCREW**
WH 5/16x2

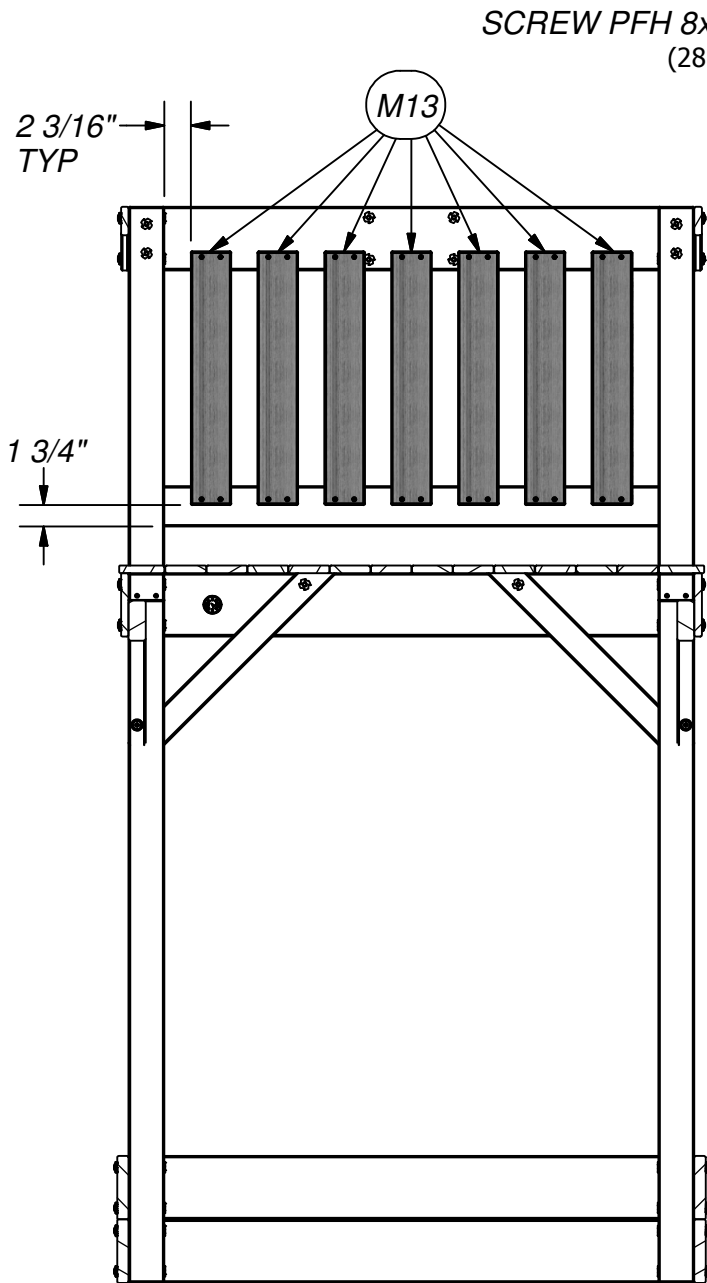
(6) **WASHER**
LOCK EXT
8x19

(2) **T-NUT 5/16**

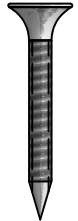
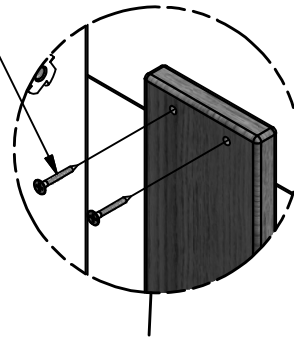


(7) M13 - PORCH PICKET - W101003
5/8"x3 3/8"x21 1/8" (16.0x86.0x536.0)

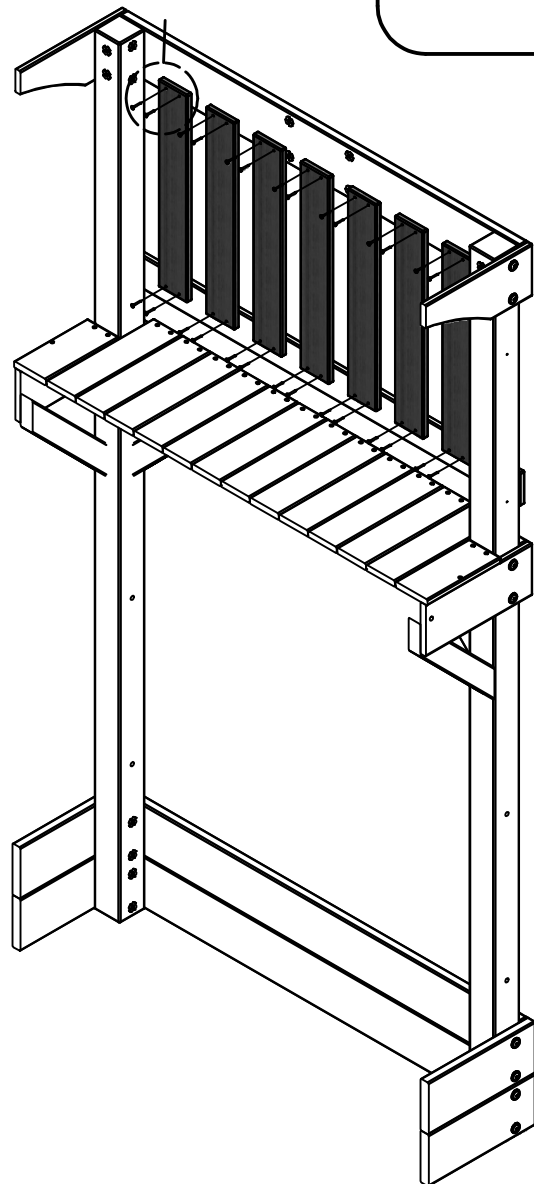
STEP 17



SCREW PFH 8x1 1/8
(28 PLCS)



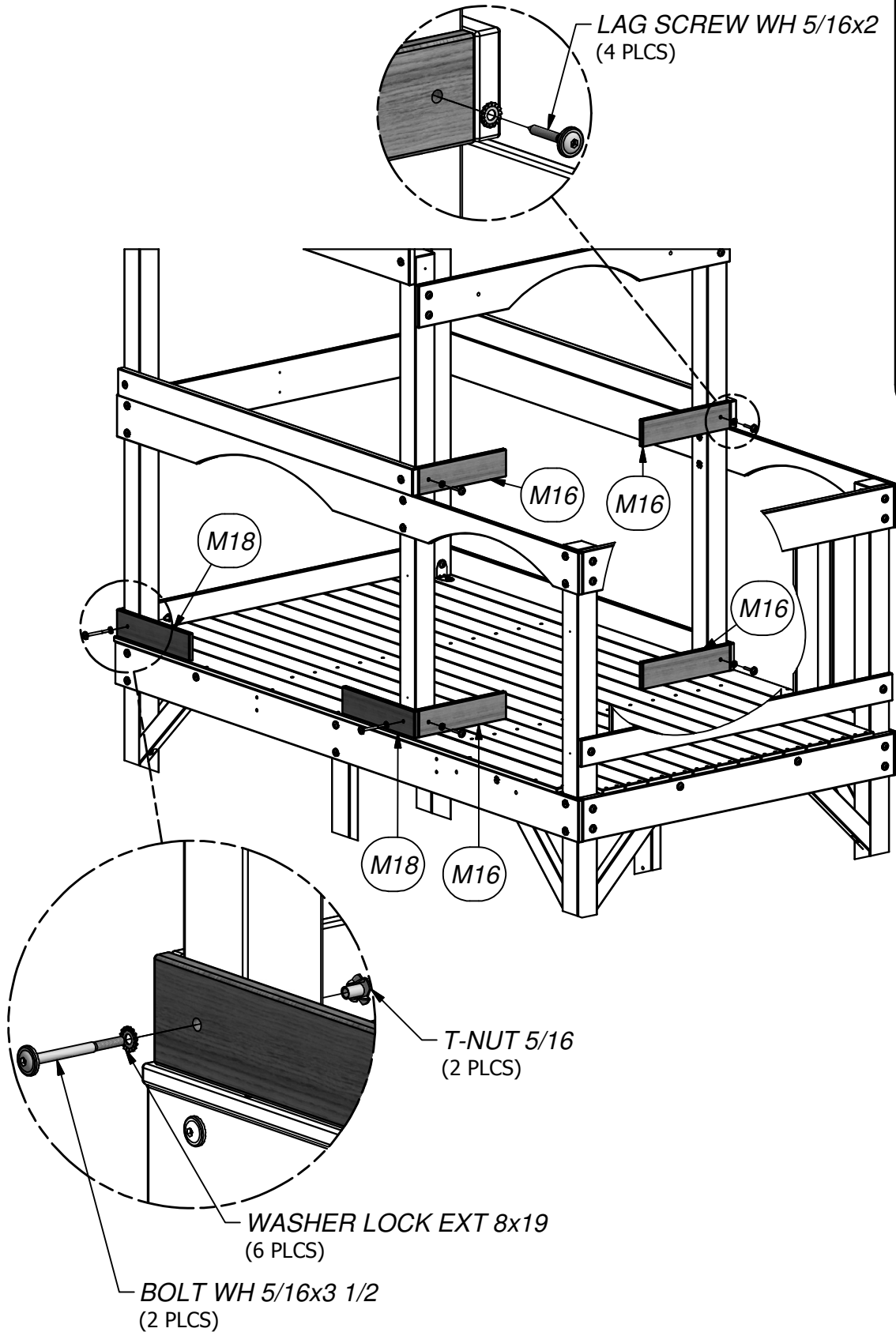
(28) SCREW PFH
8x1 1/8



M16 - WALL RAIL - W101021
 (4) 5/8"x3 3/8"x13 1/4" (16.0x86.0x338.0)

M18 - WALL RAIL - W4L05667
 (2) 5/8"x3 3/8"x13 7/8" (16.0x86.0x354.0)

STEP 18

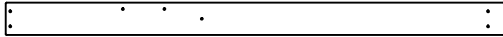


(2) BOLT WH 5/16x3 1/2

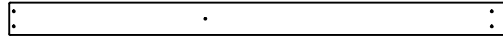
(4) LAG SCREW WH 5/16x2

(6) WASHER LOCK EXT 8x19

(2) T-NUT 5/16

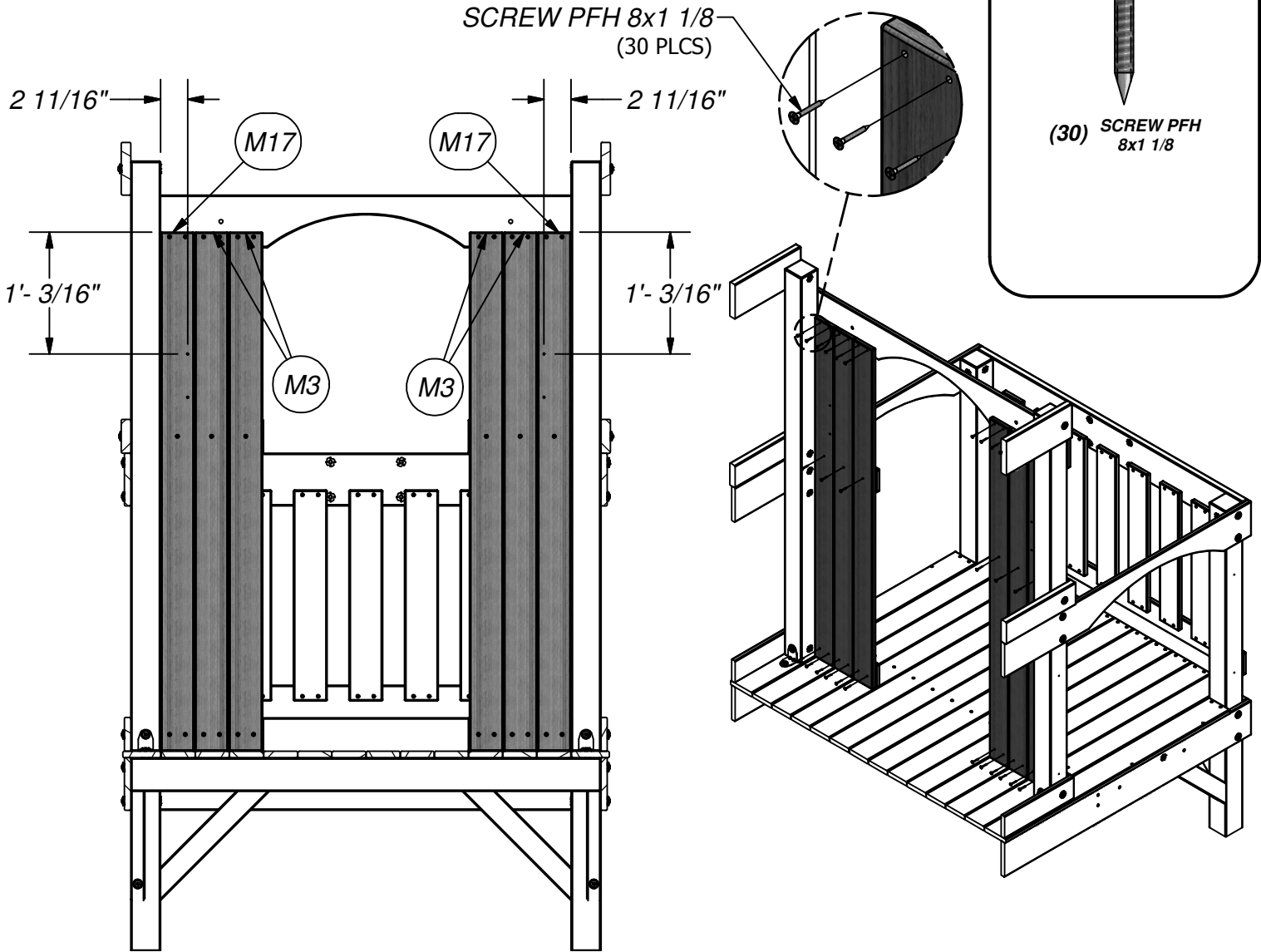


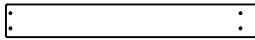
(2) **M17 - CABIN WALL SLAT - W4L05661**
 5/8"x3 1/2"x52" (16.0x86.0x1320.0)



(4) **M3 - CABIN WALL SLAT - W101022**
 5/8"x3 1/2"x52" (16.0x86.0x1320.0)

STEP 19

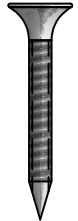
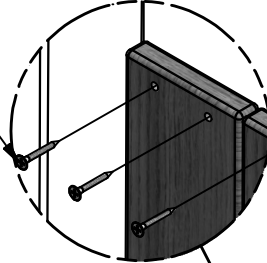




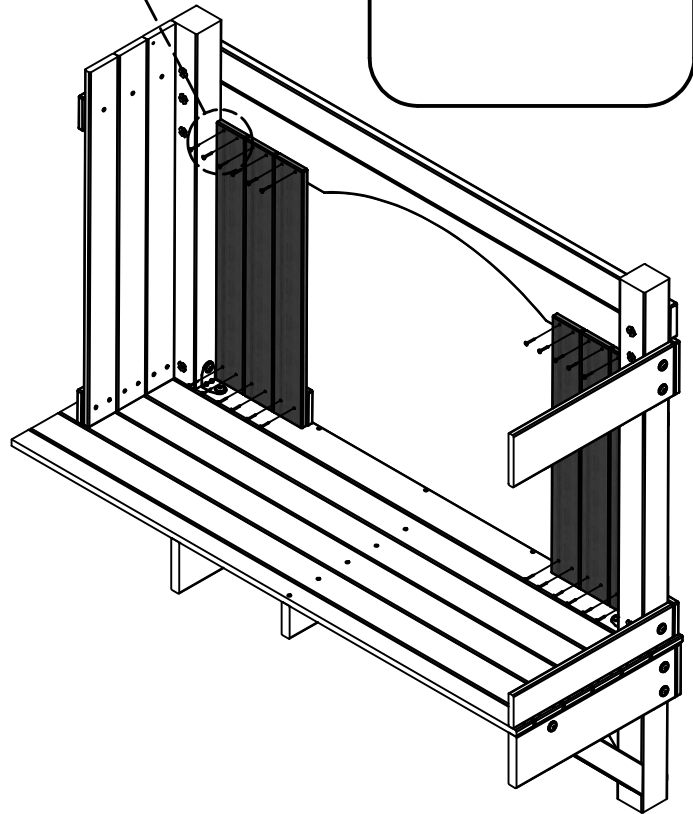
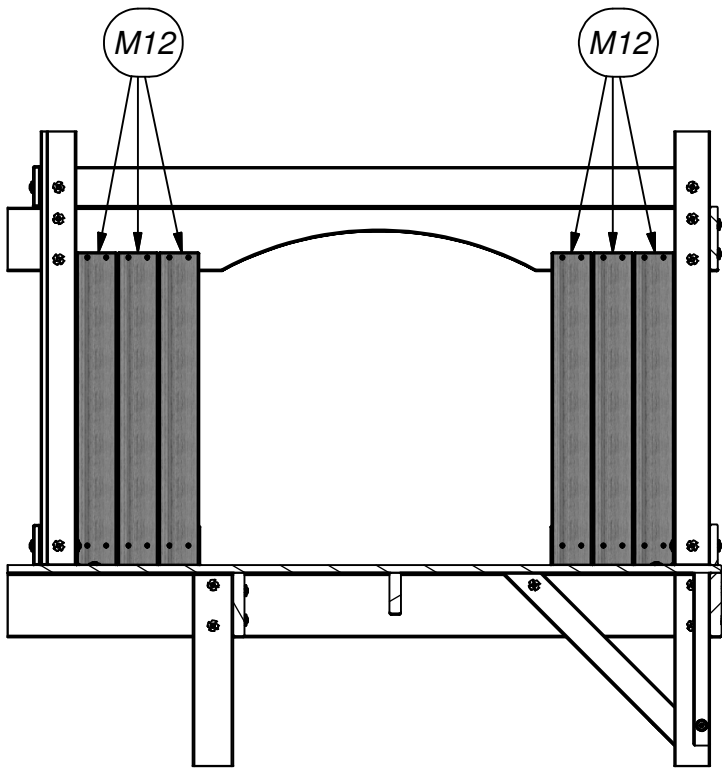
(6) **M12 - CABIN WALL SLAT - W101024**
5/8"x3 3/8"x26 1/8" (16.0x86.0x664.0)

STEP 20

SCREW PFH 8x1 1/8
(24 PLCS)



(24) SCREW PFH
8x1 1/8

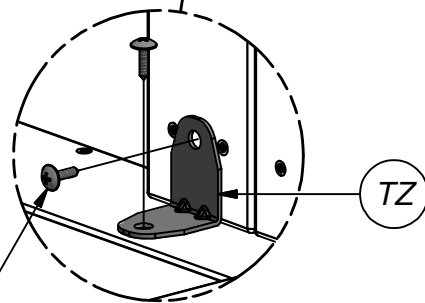
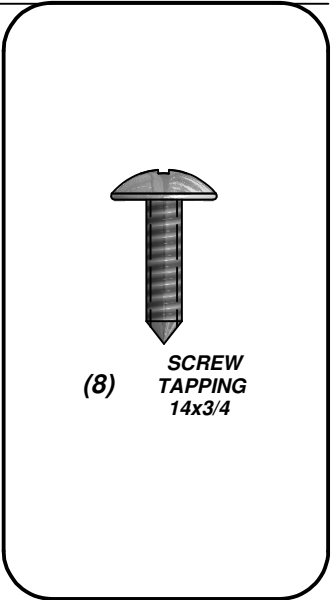
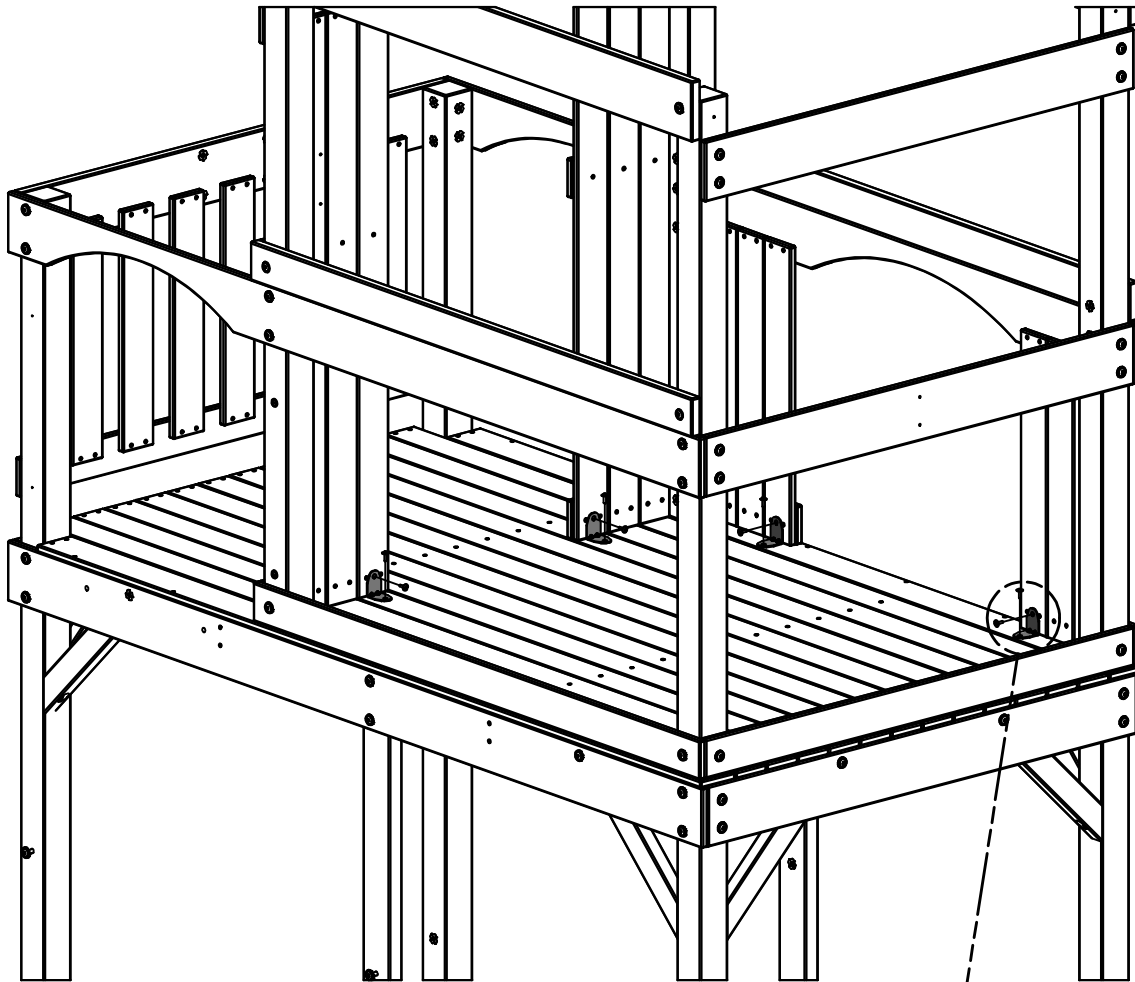




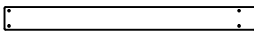
(4) TZ - L BRACKET 2.5x38x50x55 - A100340

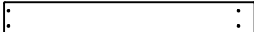
STEP 21

CENTER BRACKETS ON THE BOARDS THEY ARE ATTACHED TO.

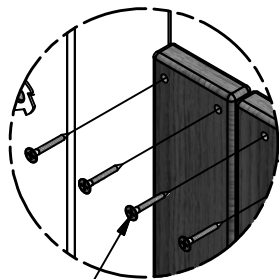
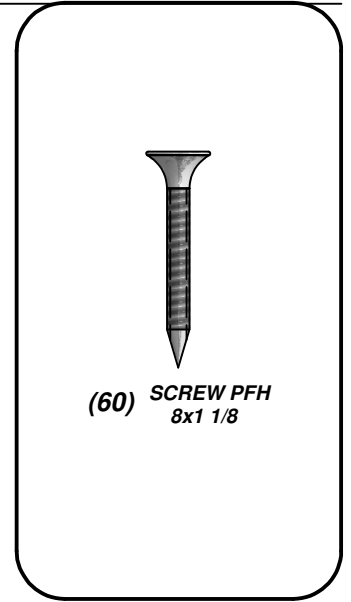
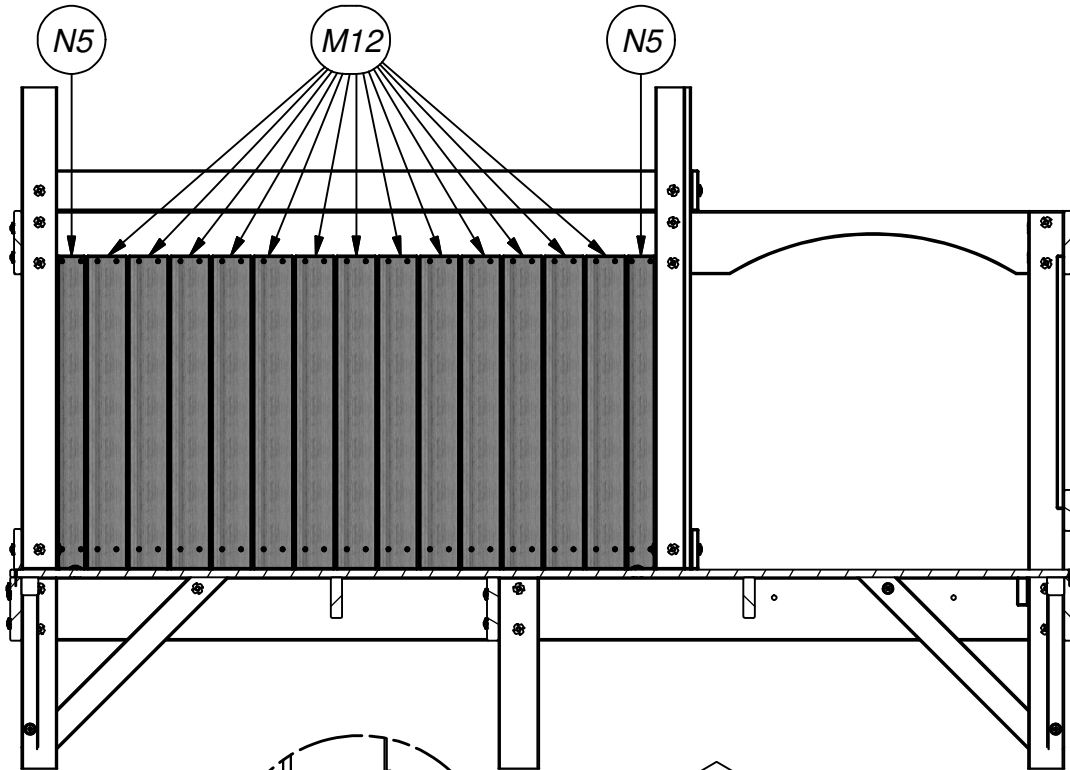


SCREW TAPPING 14x3/4
(8 PLCS)

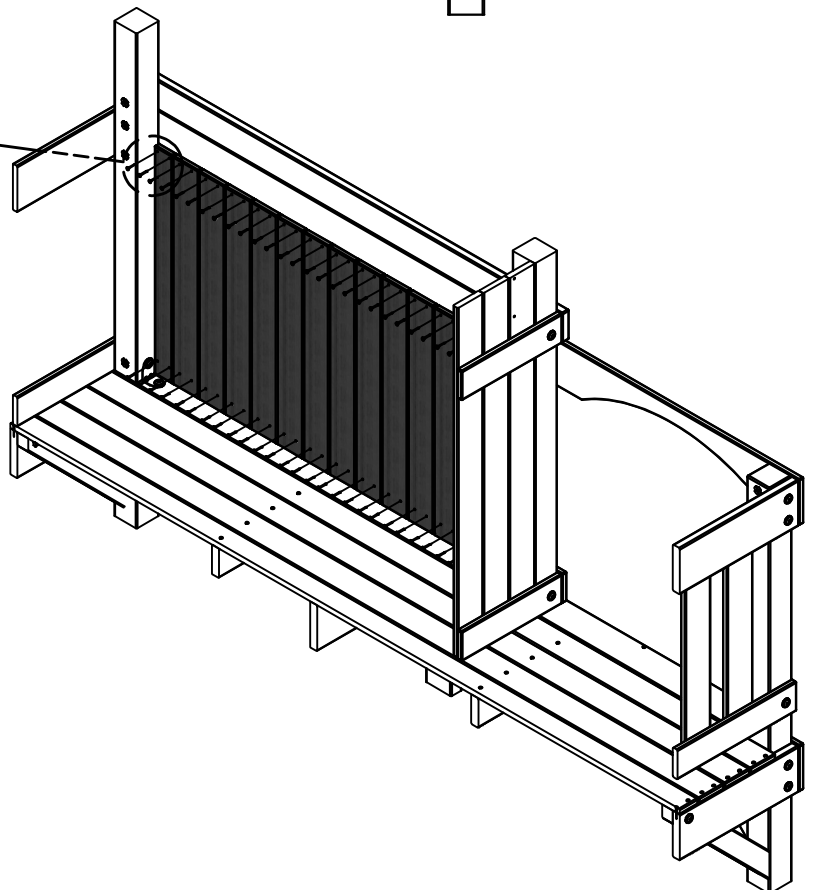

N5 - WALL BOARD - W101026
 (2) 5/8"x2 3/8"x26 1/8" (16.0x60.0x664.0)


M12 - CABIN WALL SLAT - W101024
 (13) 5/8"x3 3/8"x26 1/8" (16.0x86.0x664.0)

STEP 22

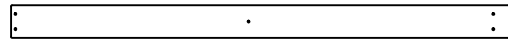


SCREW PFH 8x1 1/8
 (60 PLCS)





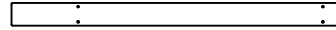
K3 - CENTER WALL BOARD - W101027
(1) 5/8"x5 1/4"x52" (16.0x134.0x1320.0)



M4 - WALL BOARD - W101029
(2) 5/8"x3 3/8"x52" (16.0x86.0x1320.0)

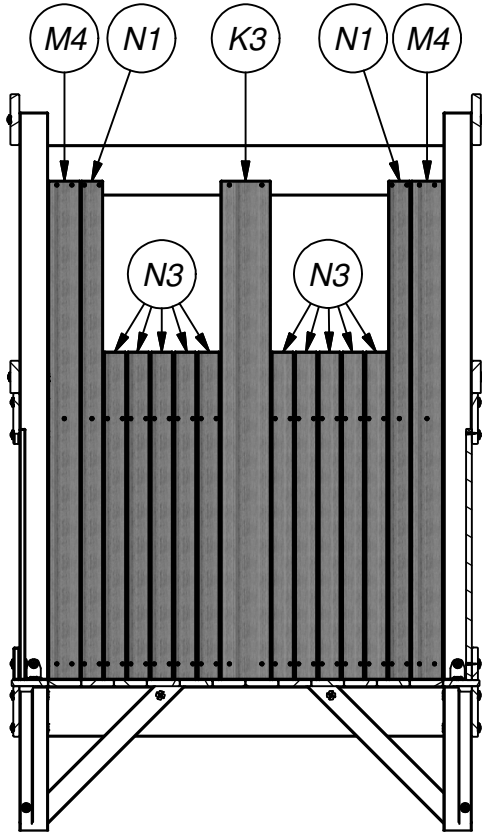


N1 - WALL BOARD - W101028
(2) 5/8"x2 3/8"x52" (16.0x60.0x1320.0)

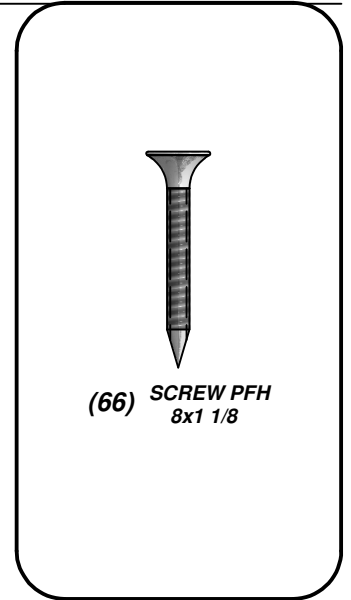
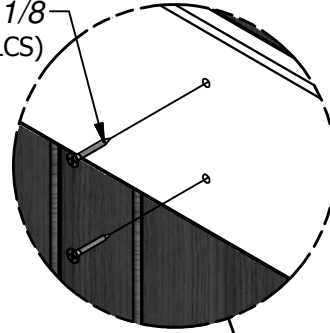


N3 - WALL BOARD - W101030
(10) 5/8"x2 3/8"x34 1/8" (16.0x60.0x868.0)

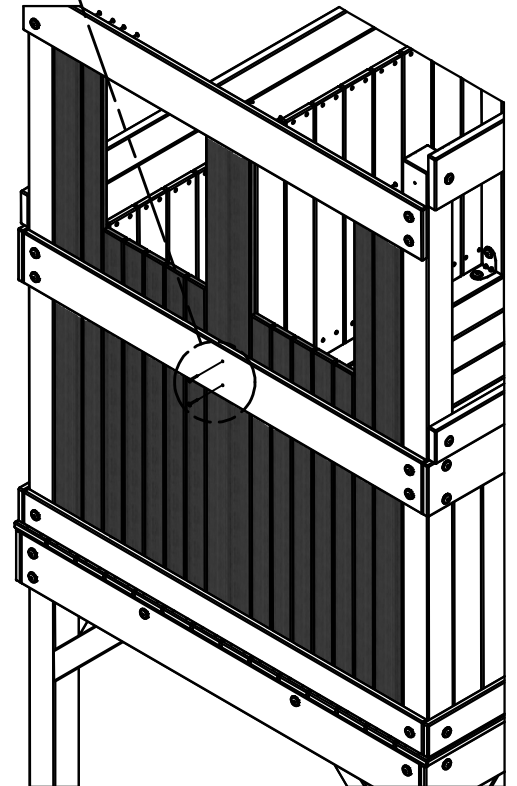
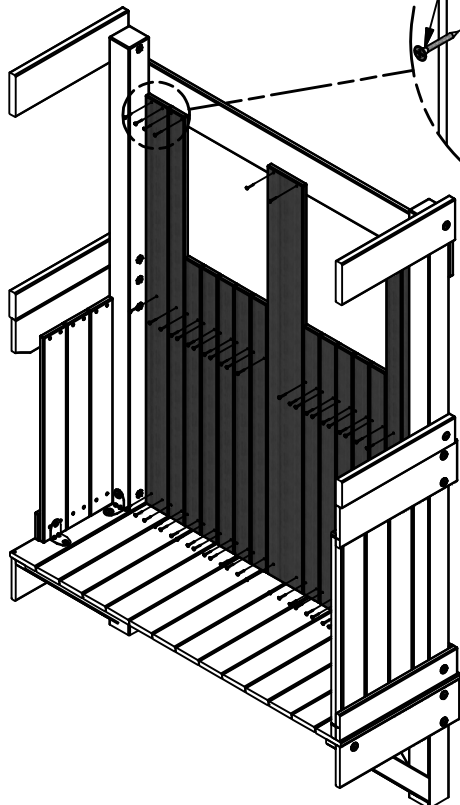
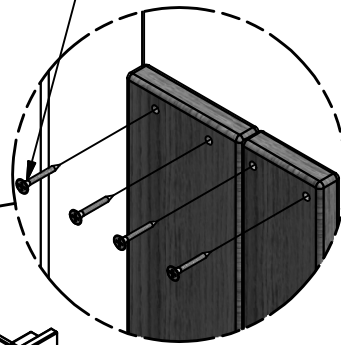
STEP 23

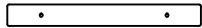


SCREW PFH 8x1 1/8
(2 PLCS)



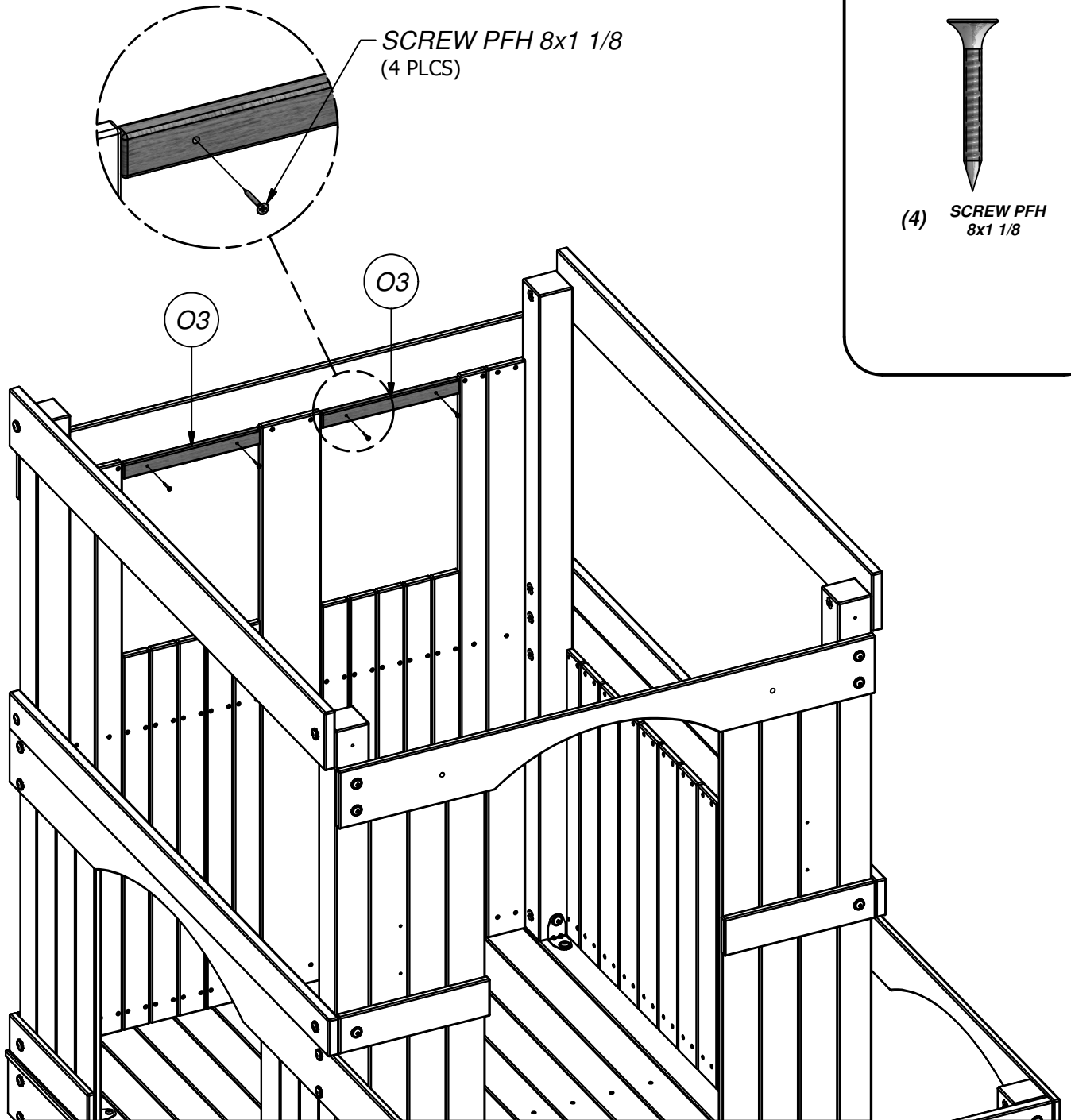
SCREW PFH 8x1 1/8
(64 PLCS)

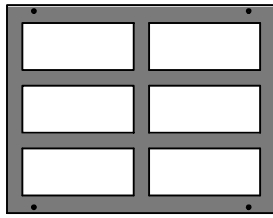




O3 - WINDOW RAIL - W101002
(2) 5/8"x1 3/8"x12 1/8" (16.0x34.0x308.0)

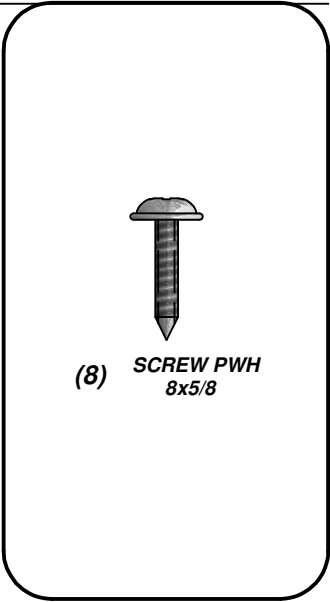
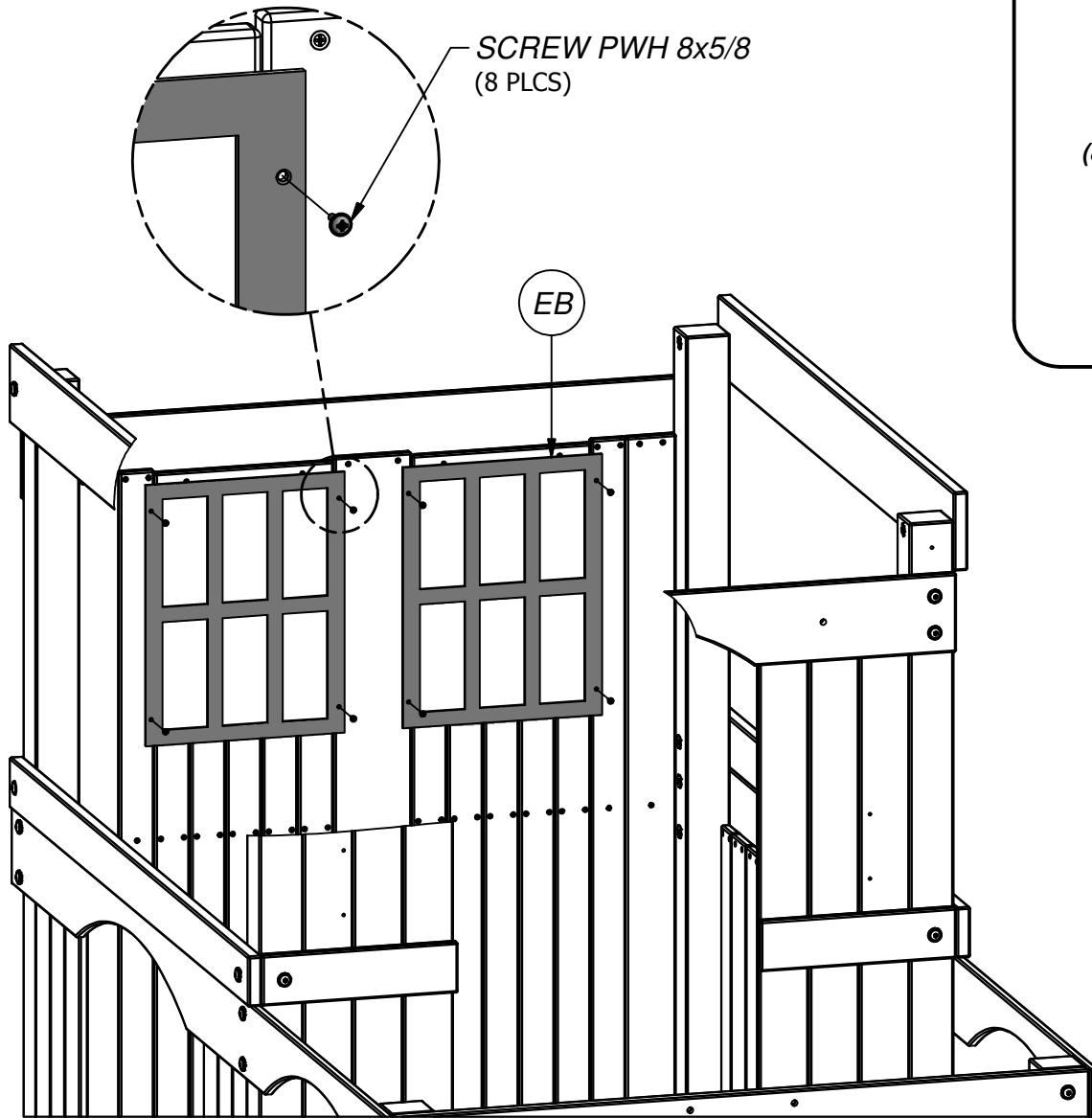
STEP 24

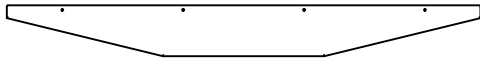




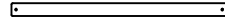
(2) EB - WINDOW FRAME GREEN 343x444.5 - A100044

STEP 25





(4) **G5 - BAY WINDOW HEADER - W101040**
1"x5 1/4"x49 3/8" (24.0x134.0x1254.0)

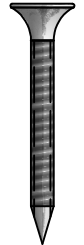
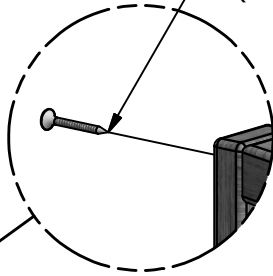


(4) **O1 - BAY WINDOW END CAP - W101039**
5/8"x1 3/8"x22 1/2" (16.0x34.0x570.0)

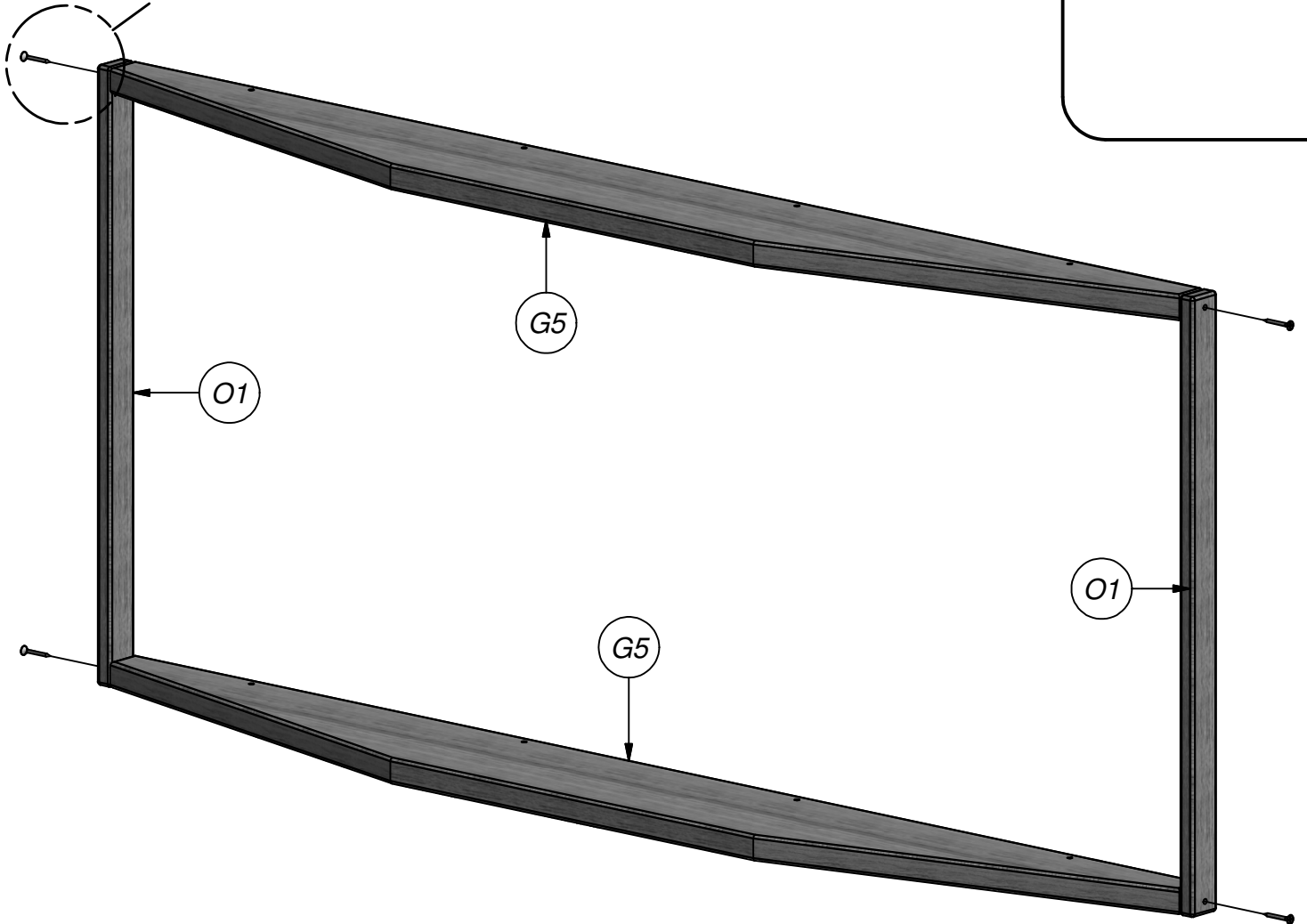
STEP 26

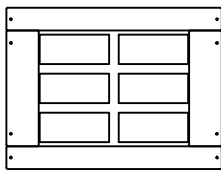
MAKE TWO.

SCREW PFH 8x1 1/4
(4 PLCS)



(8) **SCREW PFH**
8x1 1/4

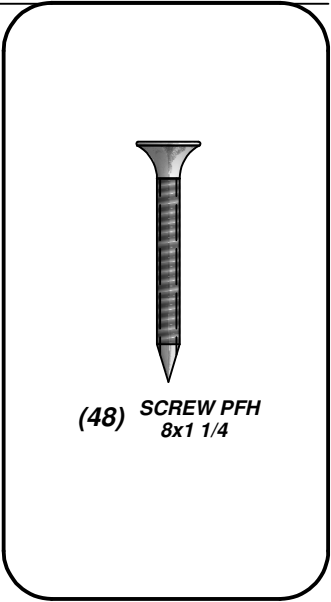
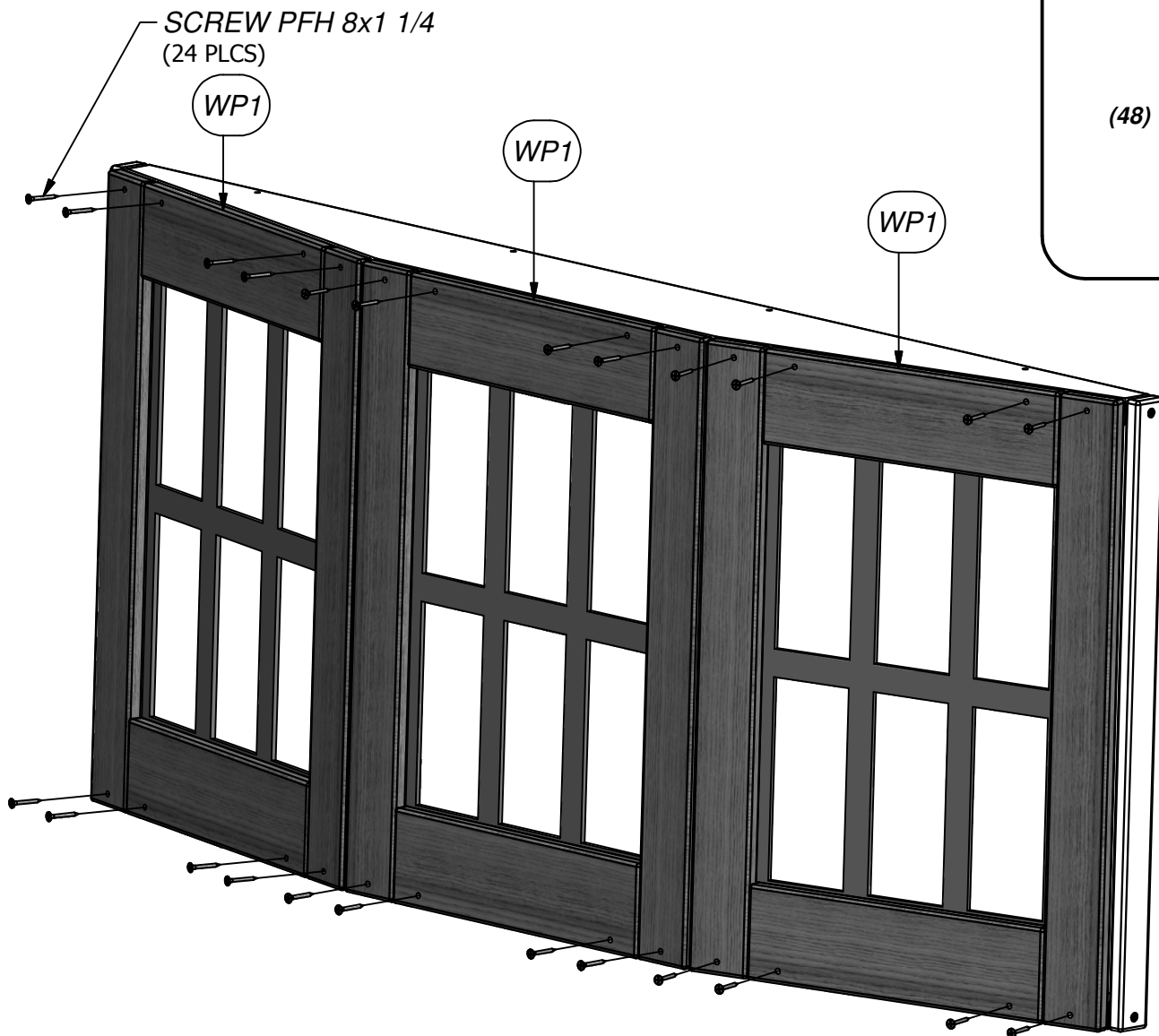


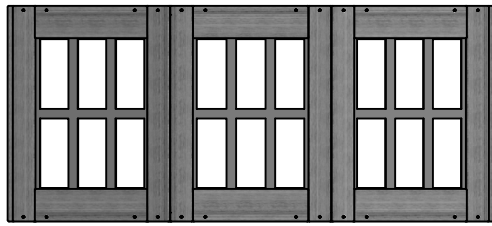


WP1 - WINDOW PANEL - W2A01776
(6) 7/8"x16 3/4"x22 1/2" (21x426x570)

STEP 27

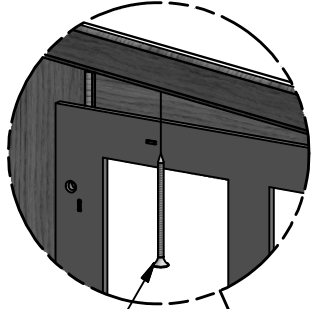
MAKE TWO.



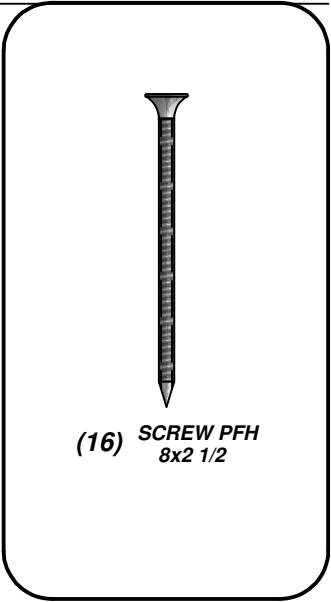
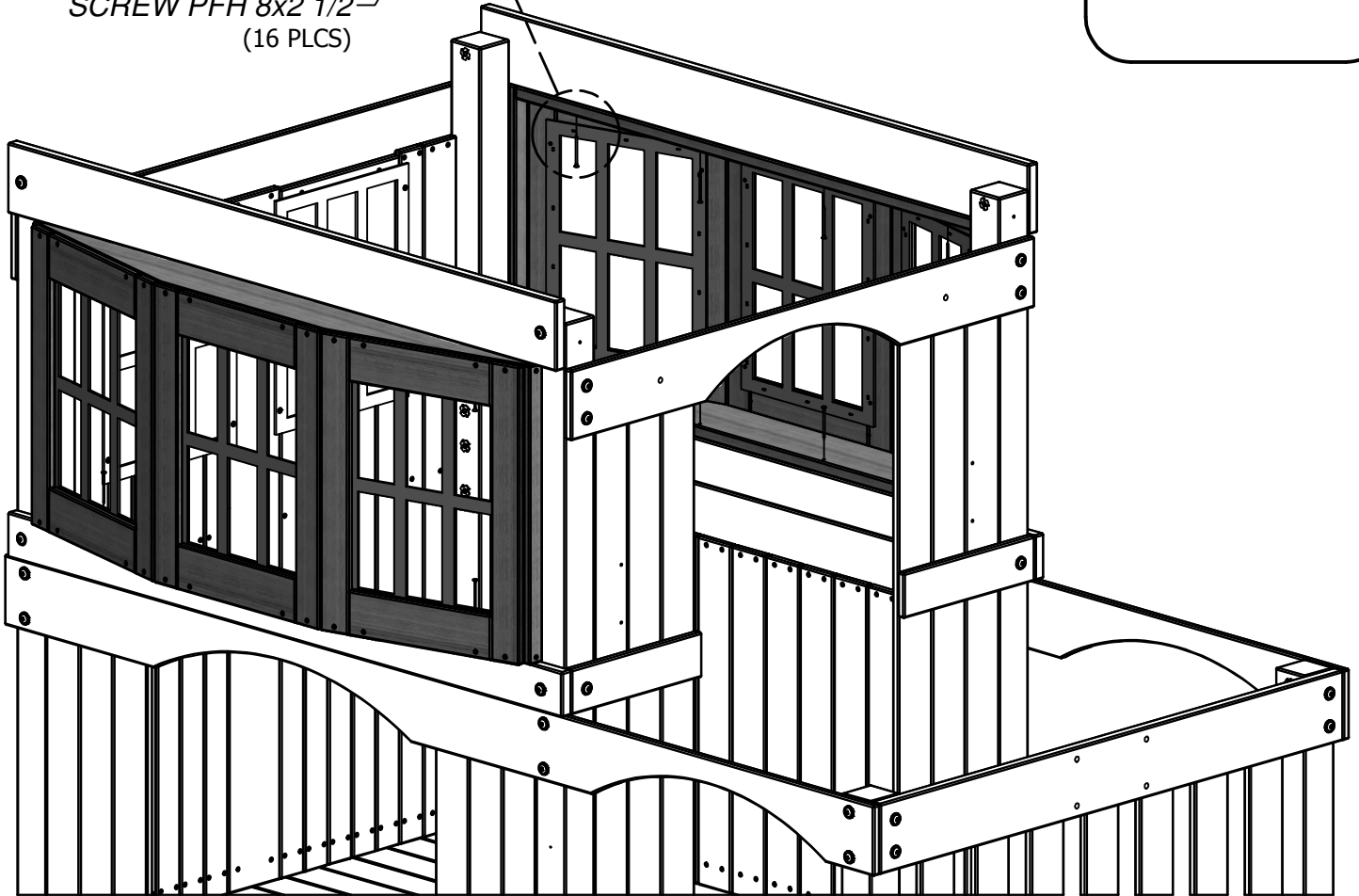


(2) BAY WINDOW ASSEMBLY

STEP 28



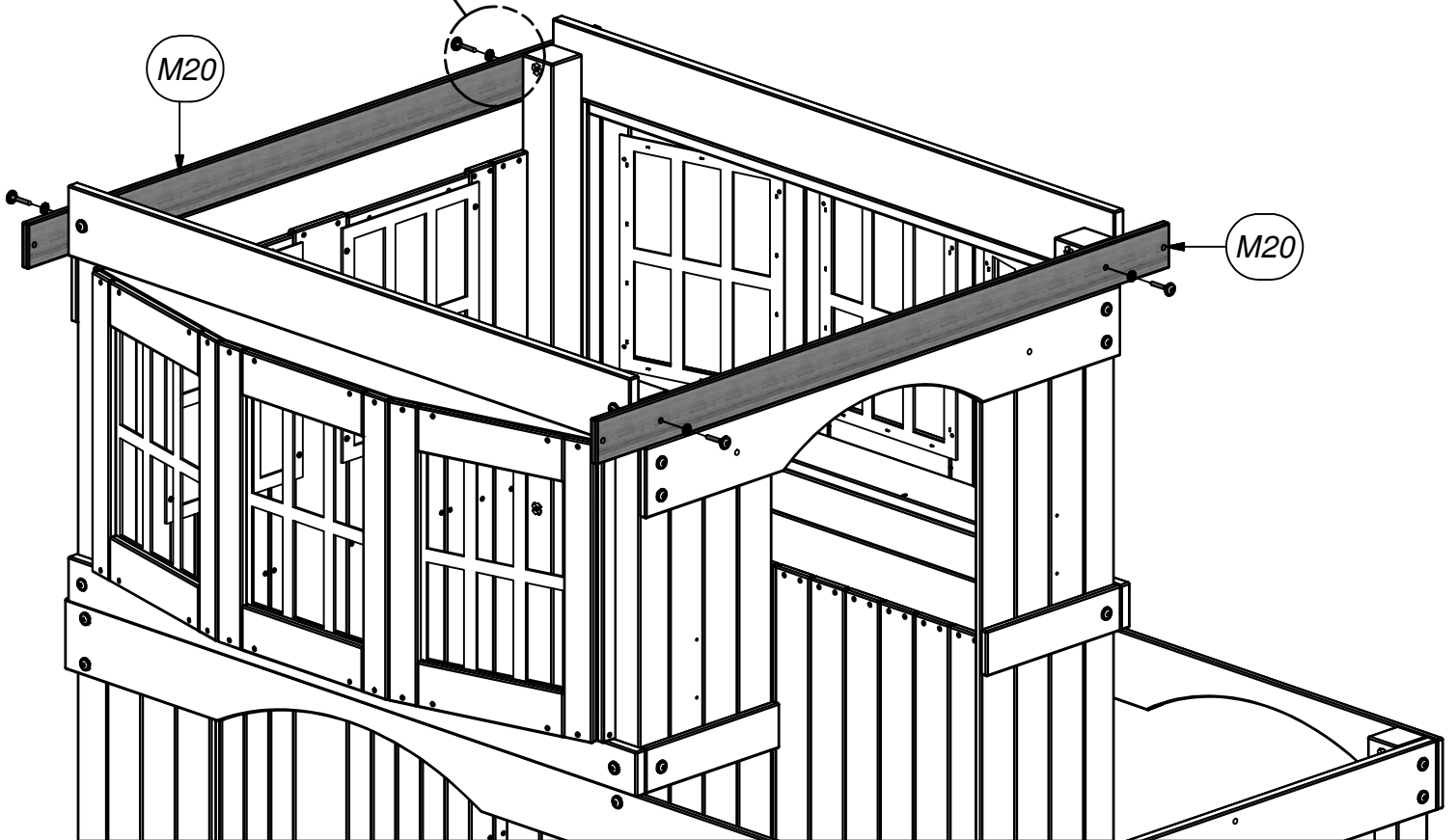
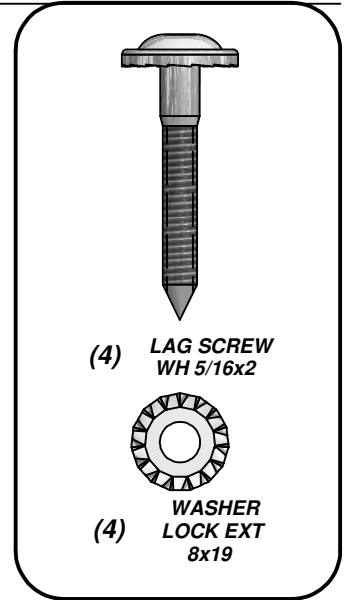
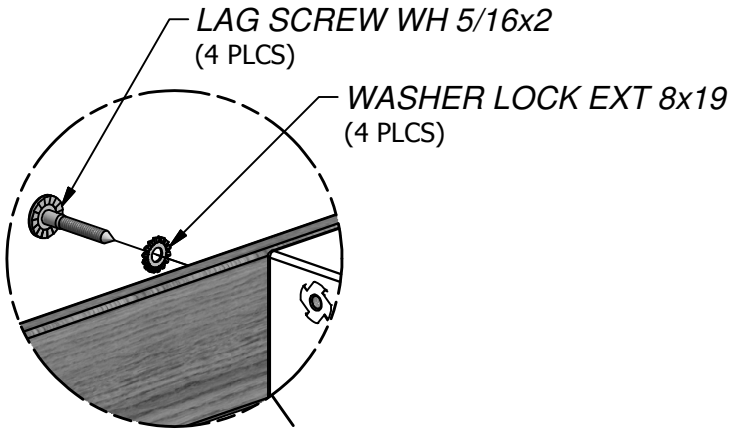
SCREW PFH 8x2 1/2
(16 PLCS)

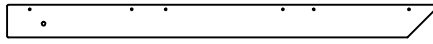




(2) **M20 - ROOF RAIL - W4L05670**
5/8"x3 3/8"x56 7/8" (16.0x86.0x1446.0)

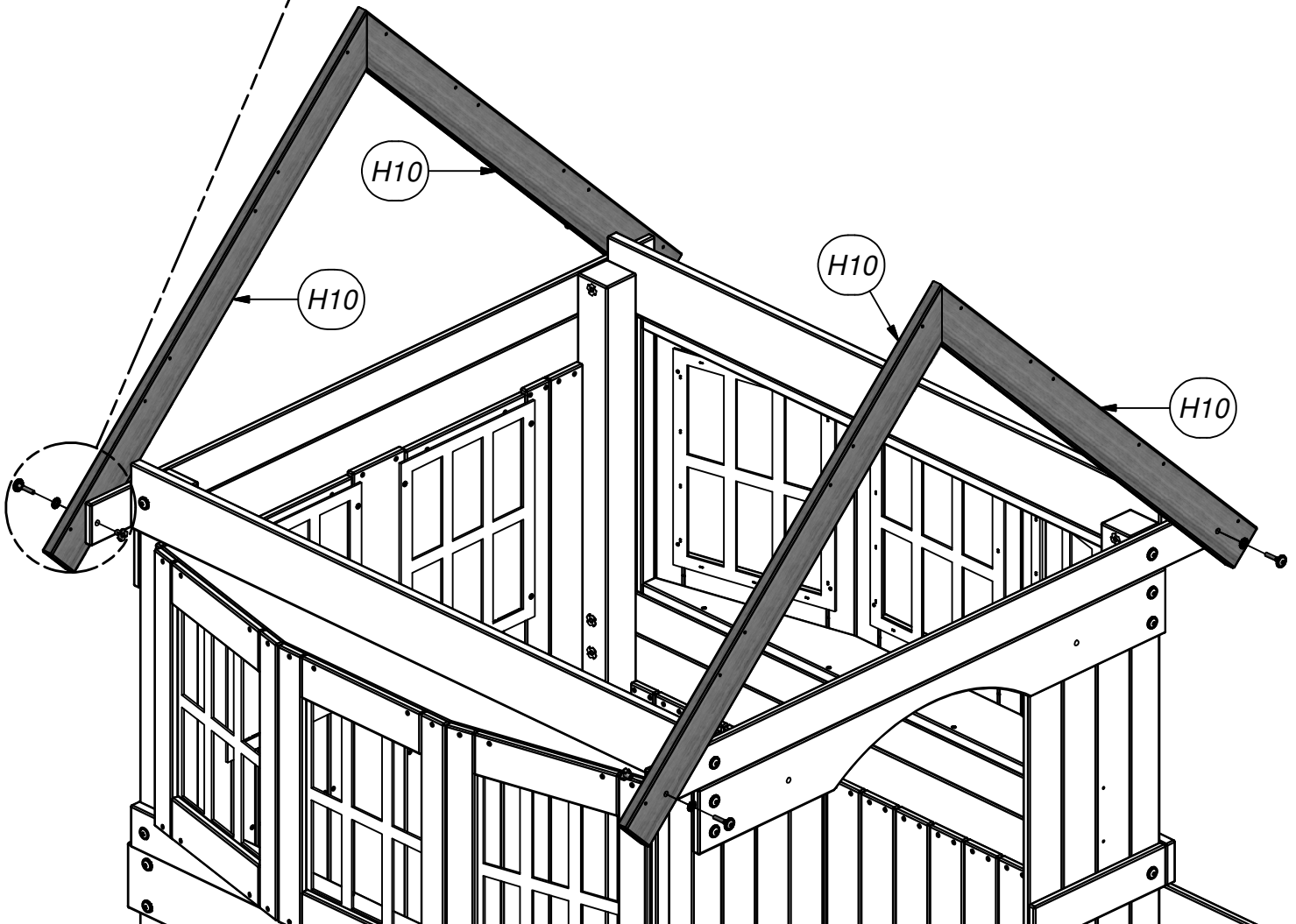
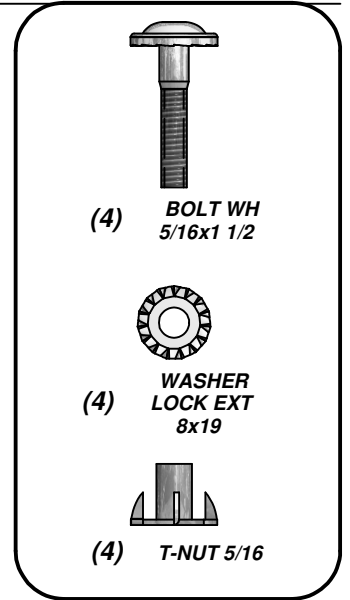
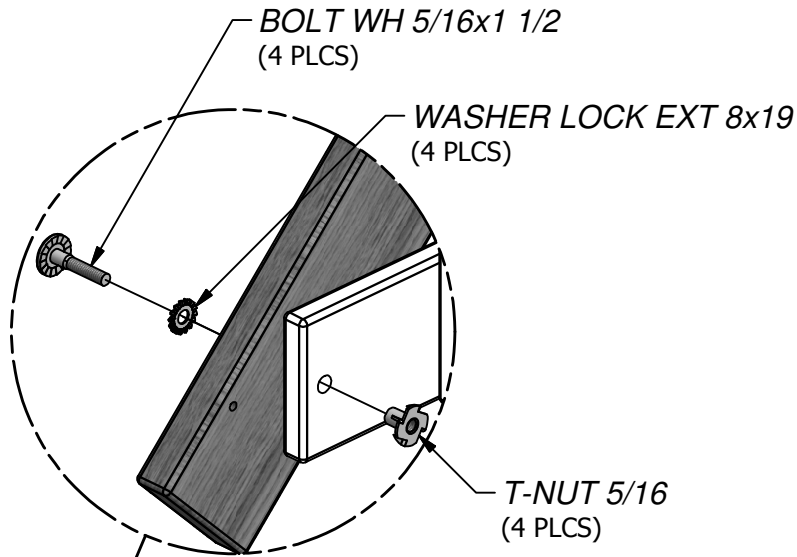
STEP 29

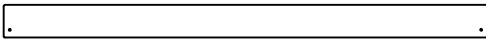




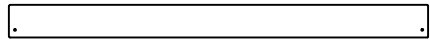
H10 - ROOF TRUSS - W4L05677
(4) 1"x3 3/8"x45 1/8" (24.0x86.0x1146.0)

STEP 30

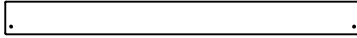




M5 - GABLE BOARD - W101051
 (2) 5/8"x3 3/8"x50 3/8" (16.0x86.0x1280.0)

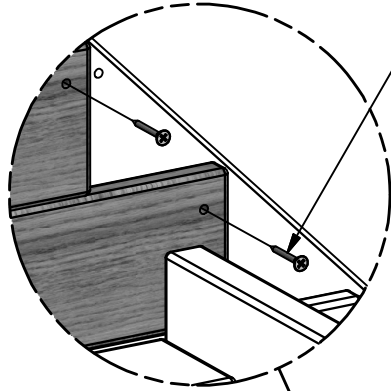


M8 - GABLE BOARD - W101052
 (2) 5/8"x3 3/8"x43 3/4" (16.0x86.0x1110.0)

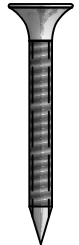


M9 - GABLE BOARD - W101053
 (2) 5/8"x3 3/8"x37" (16.0x86.0x940.0)

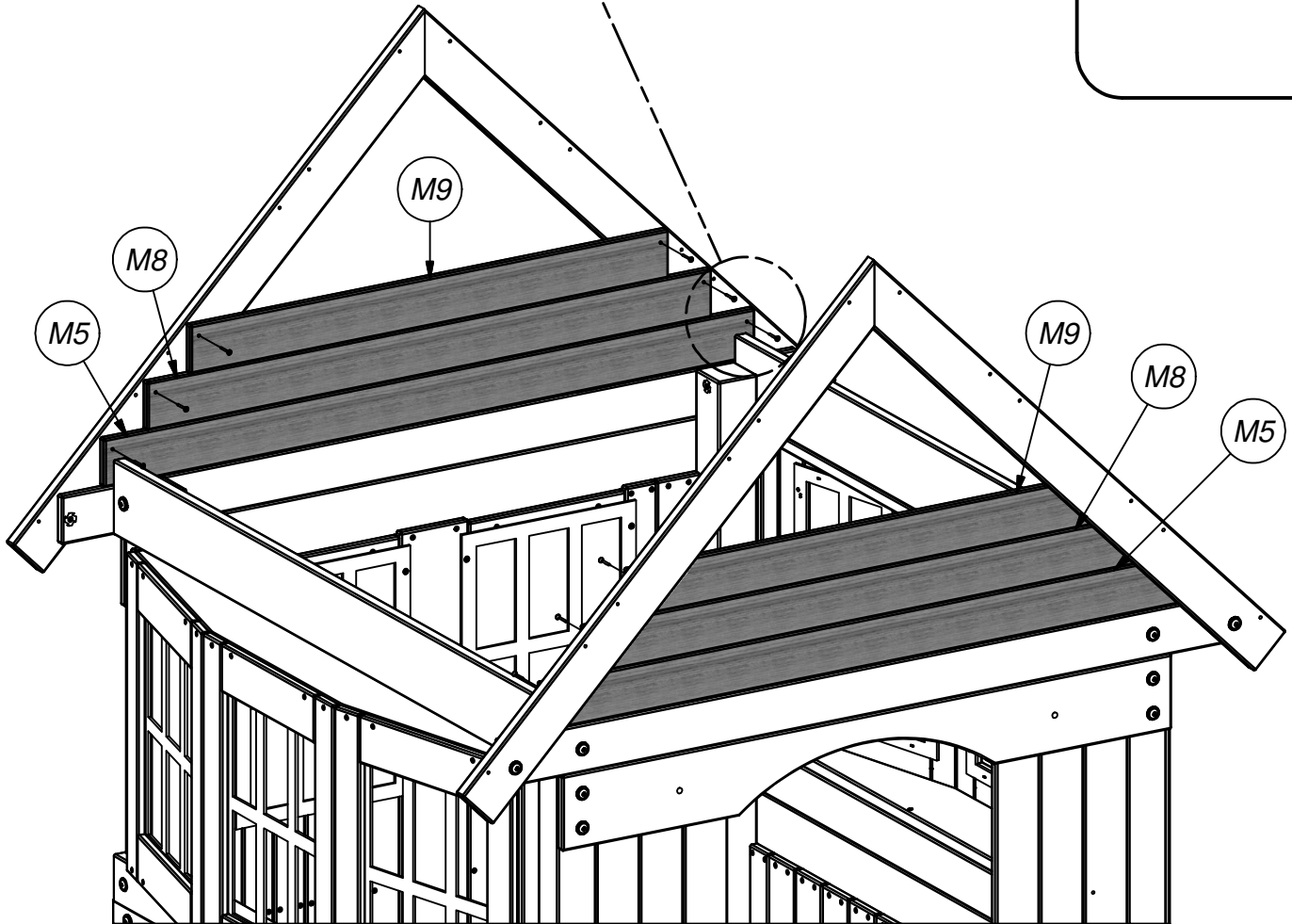
STEP 31

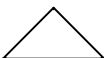



SCREW PFH 8x1 1/4
 (12 PLCS)




(12) SCREW PFH
 8x1 1/4




K8 - TRIANGLE SUNBURST - W4L05681
 (2) 5/8"x5 1/4"x10 1/2" (16x134x268)

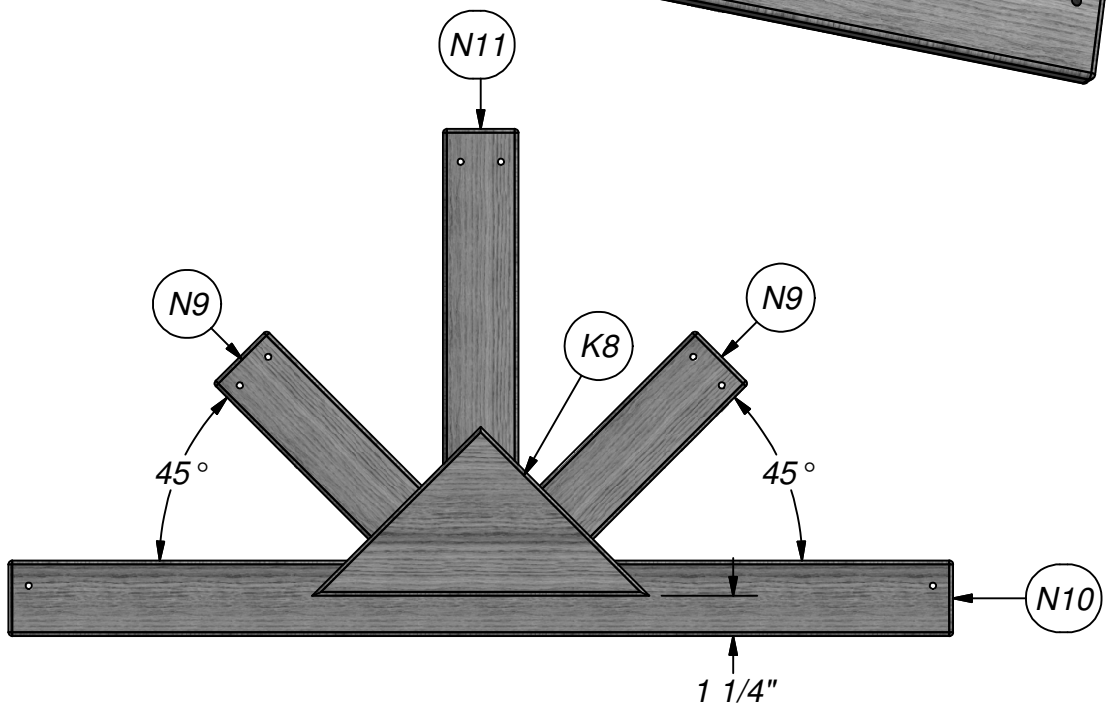
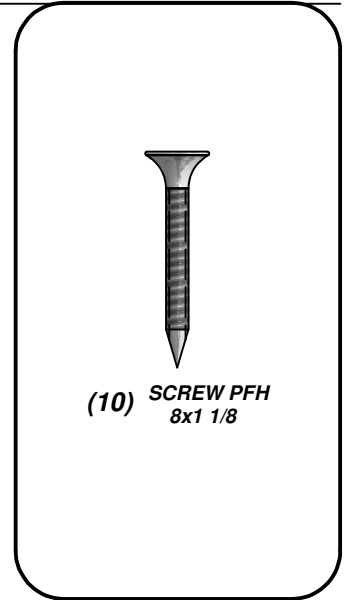
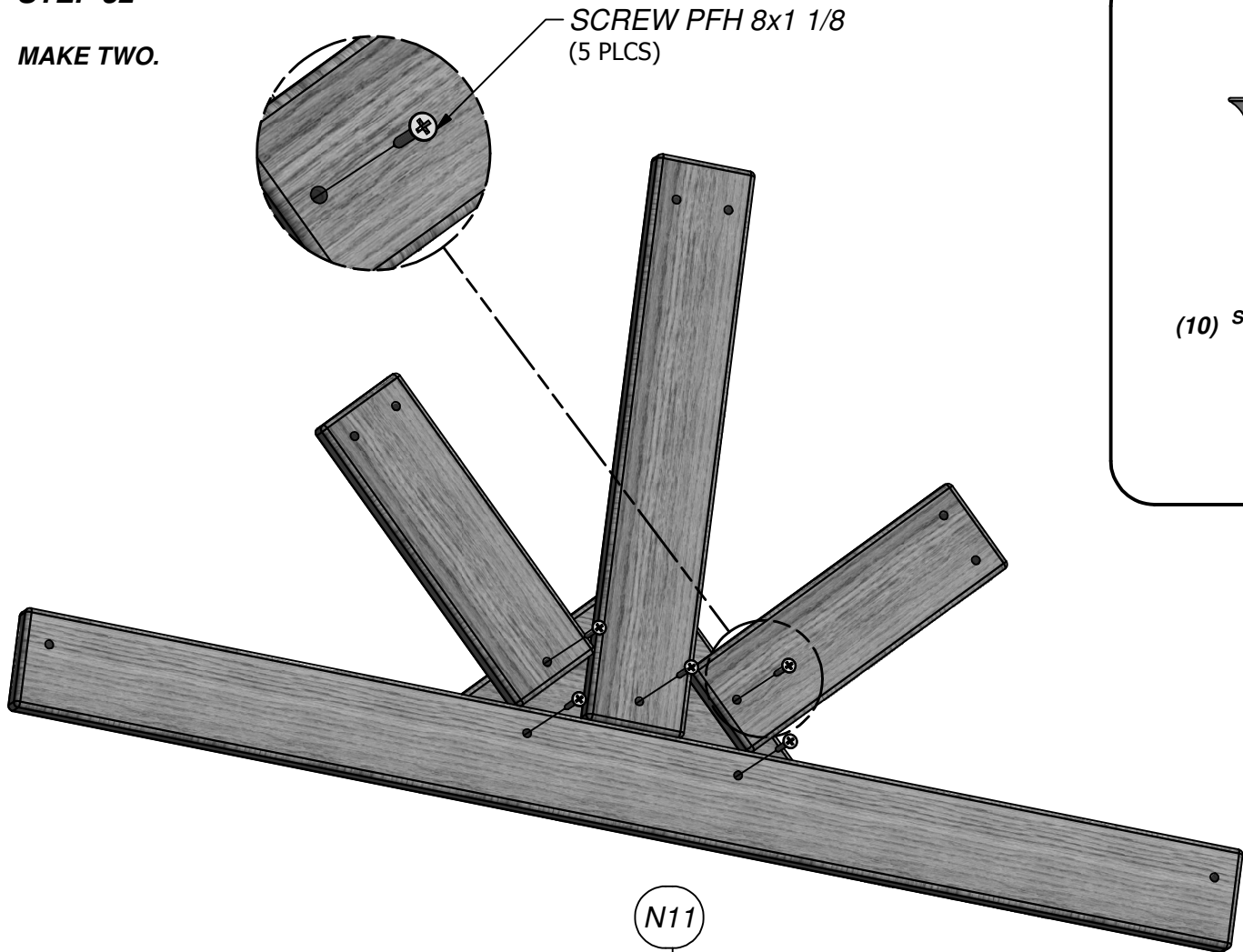

N10 - SUNBURST CROSS SPOKE - W4L05662
 (2) 5/8"x2 3/8"x29 1/2" (16.0x60.0x750.0)

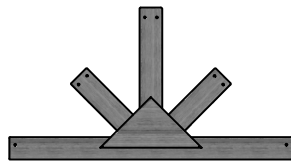

N9 - GABLE TRIM - W4L05663
 (4) 5/8"x2 3/8"x7 7/8" (16x60x200)


N11 - GABLE TRIM - W4L05664
 (2) 5/8"x2 3/8"x13 1/2" (16x60x342)

STEP 32

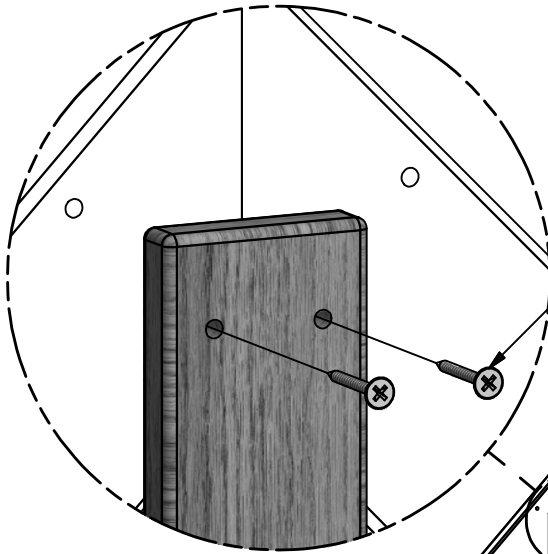
MAKE TWO.



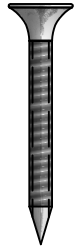


(2) **SUNBURST ASSEMBLY**

STEP 33

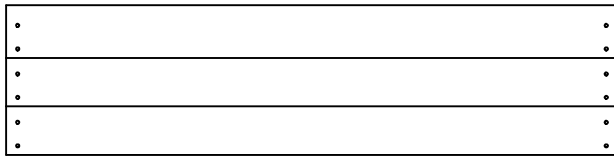


SCREW PFH 8x1 1/4
(16 PLCS)



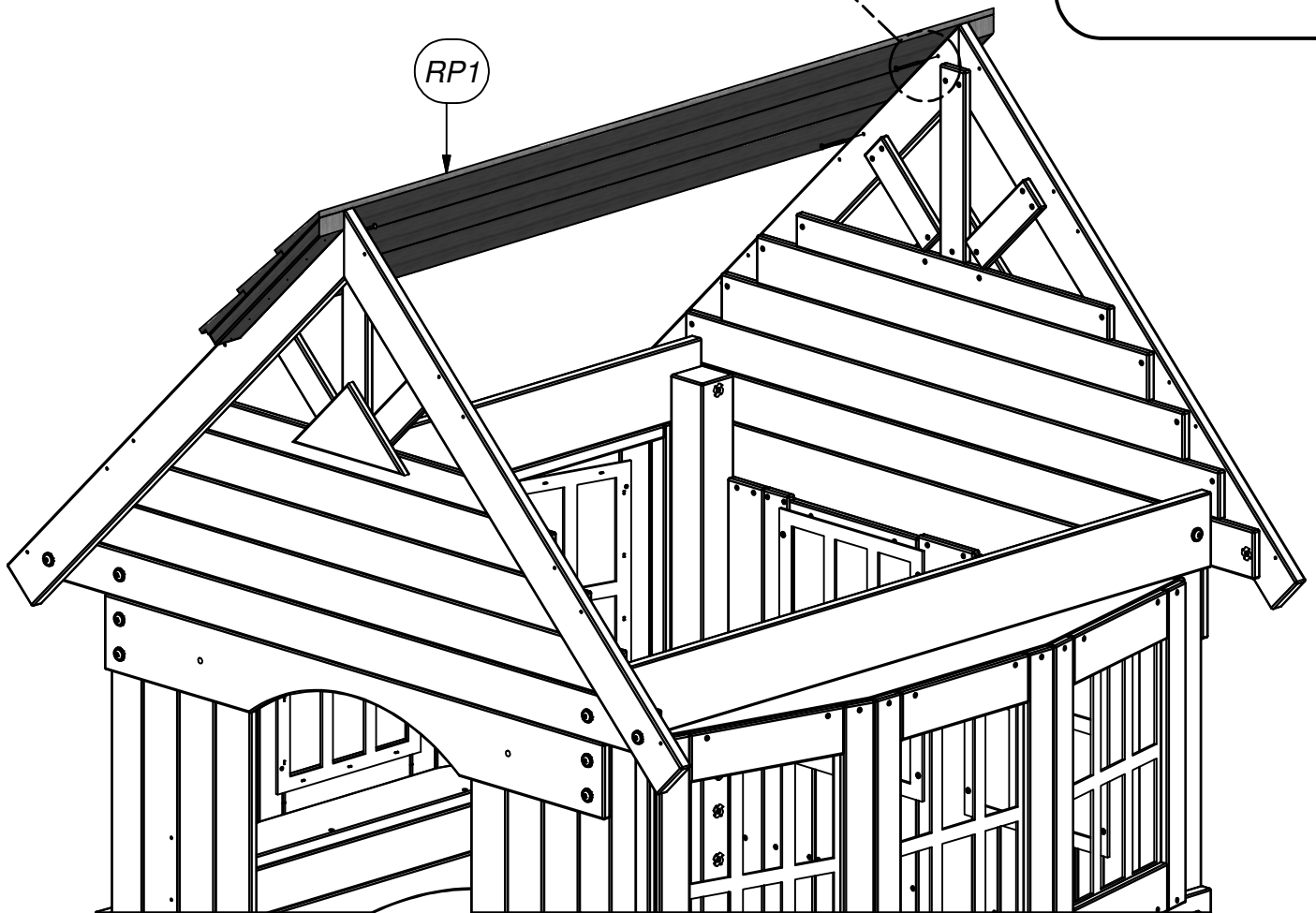
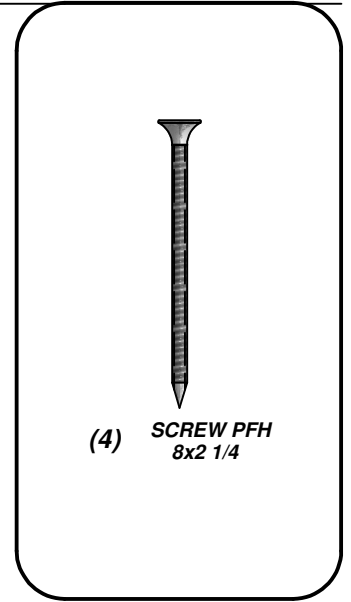
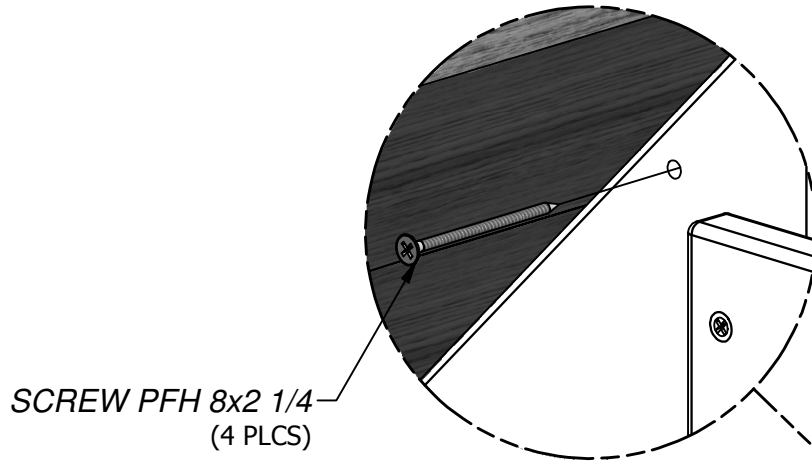
(16) SCREW PFH
8x1 1/4





RP1 - ROOF PANEL - W2A01770
(1) 1 5/8"x15 5/8"x63 3/4" (42x396x1618)

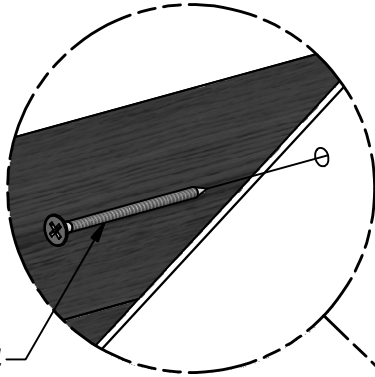
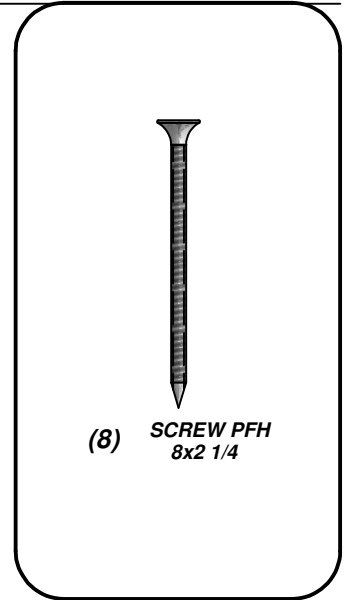
STEP 34



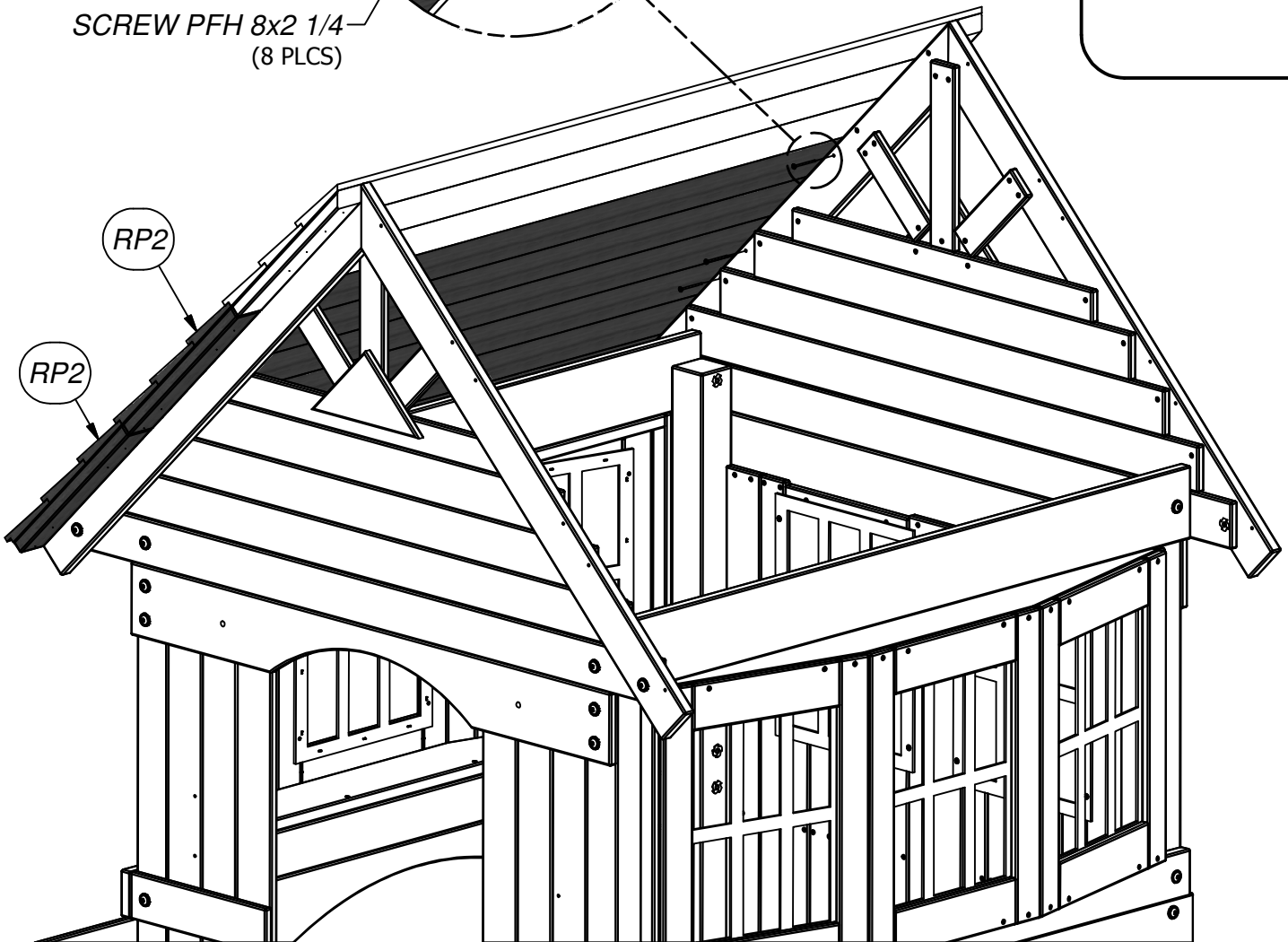


RP2 - ROOF PANEL - W2A01771
(2) 1 5/8"x15 5/8"x63 3/4" (42x396x1618)

STEP 35



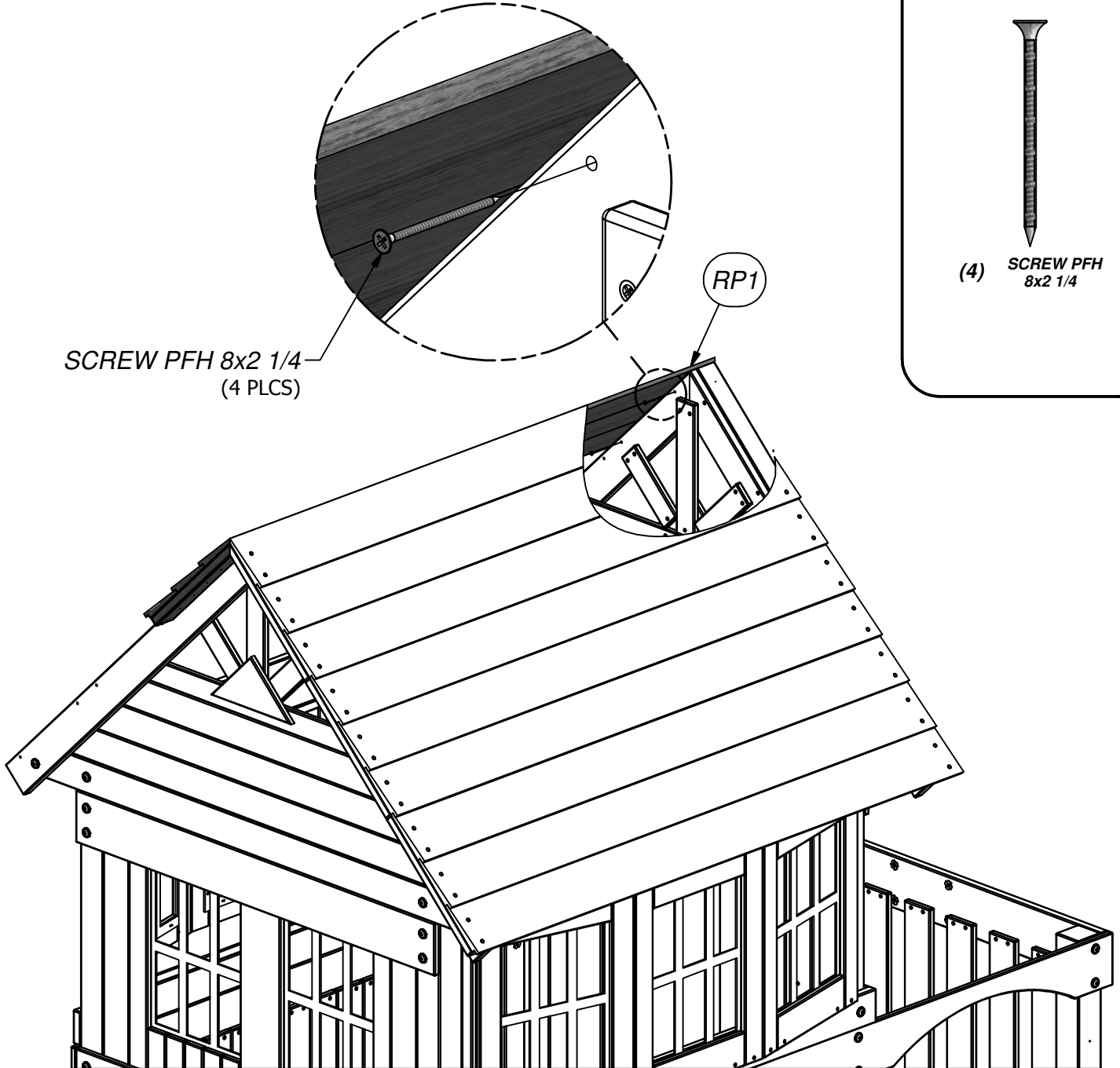
SCREW PFH 8x2 1/4
(8 PLCS)





RP1 - ROOF PANEL - W2A01770
(1) 1 5/8"x15 5/8"x63 3/4" (42x396x1618)

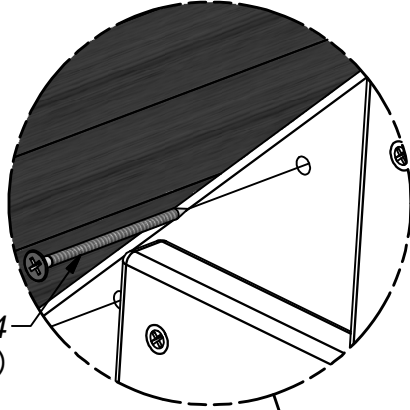
STEP 36



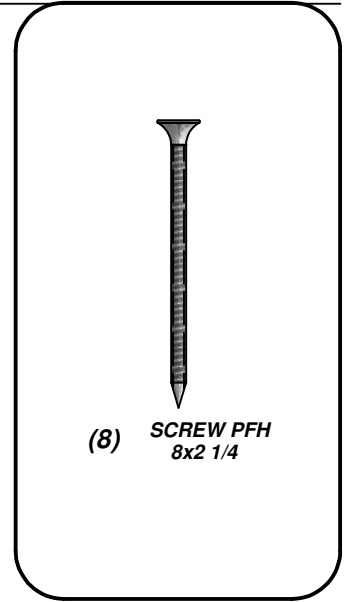


RP2 - ROOF PANEL - W2A01771
(2) 1 5/8" x 15 5/8" x 63 3/4" (42x396x1618)

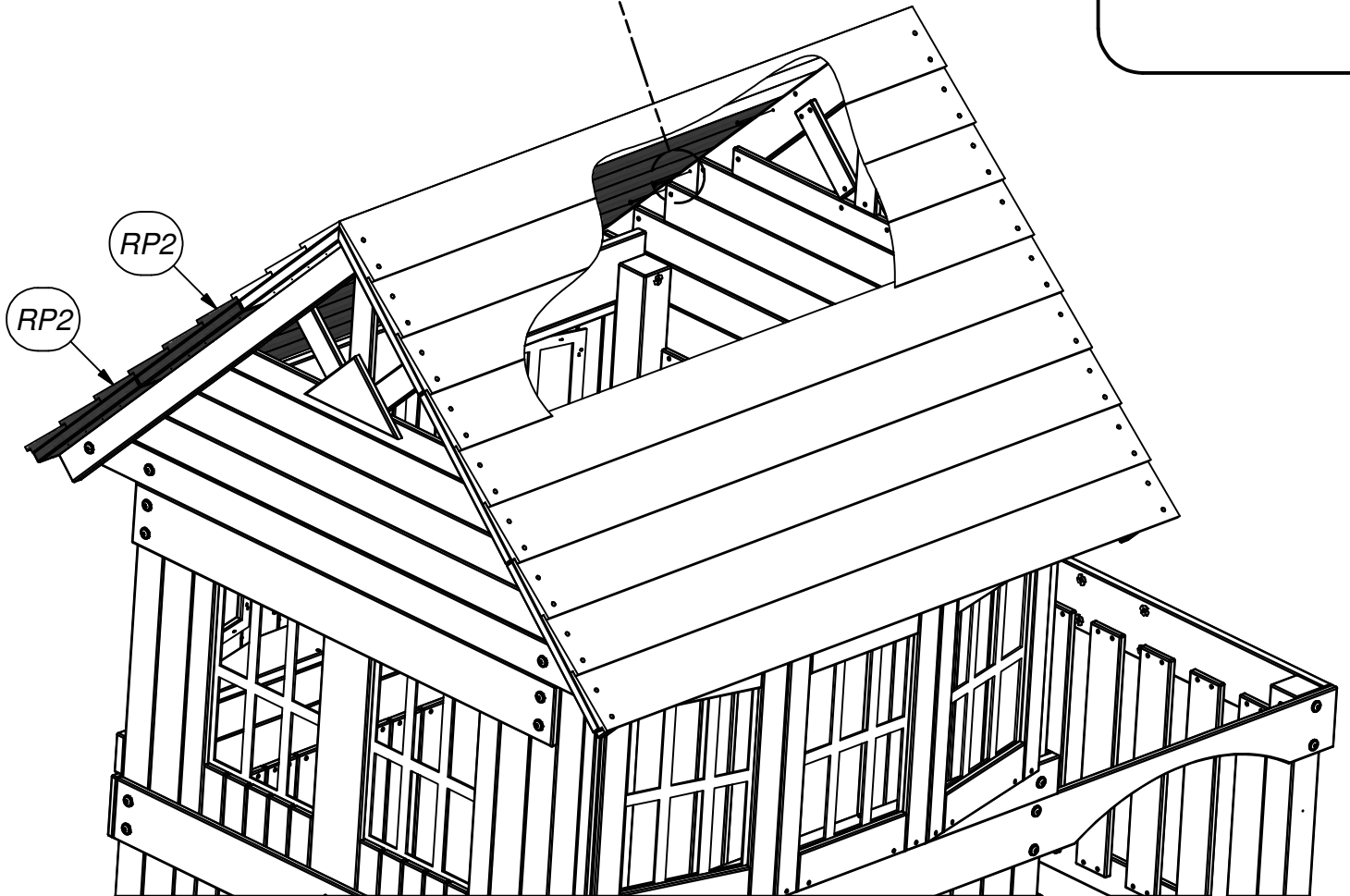
STEP 37

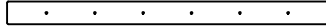


SCREW PFH 8x2 1/4
(8 PLCS)



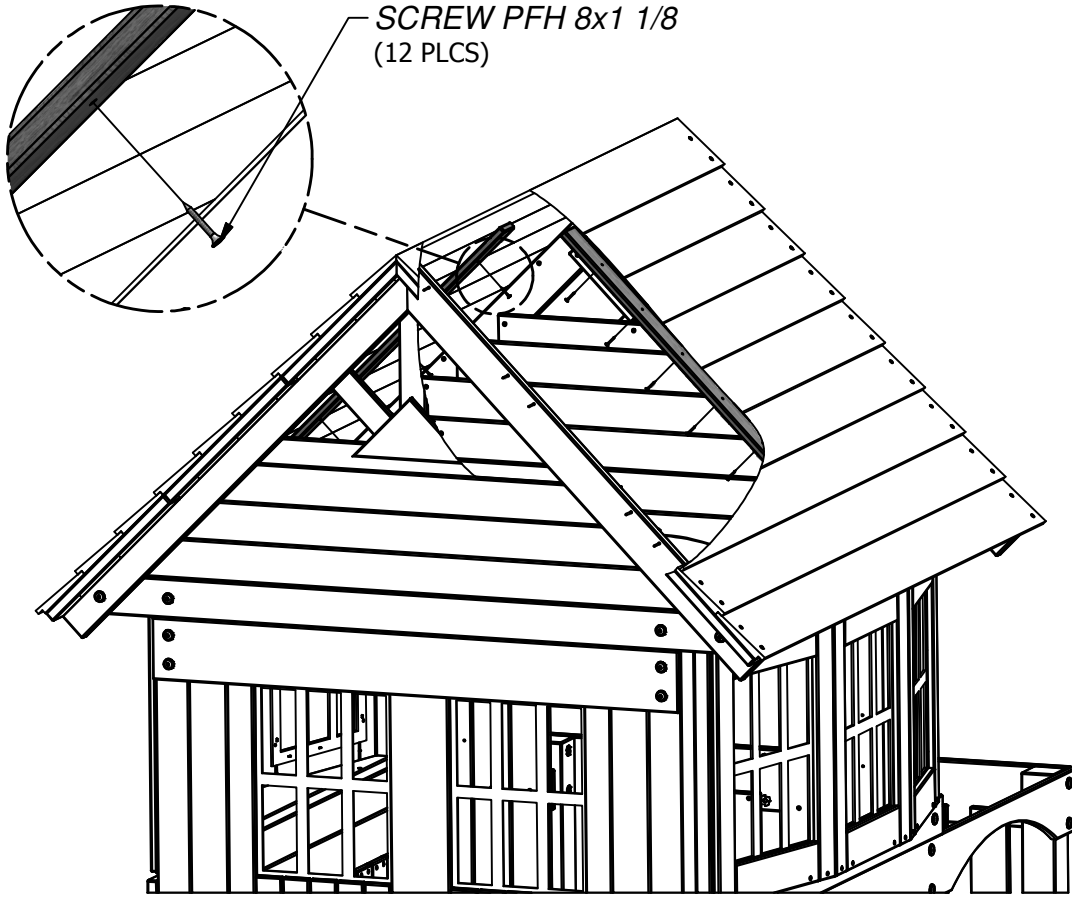
(8) SCREW PFH
8x2 1/4



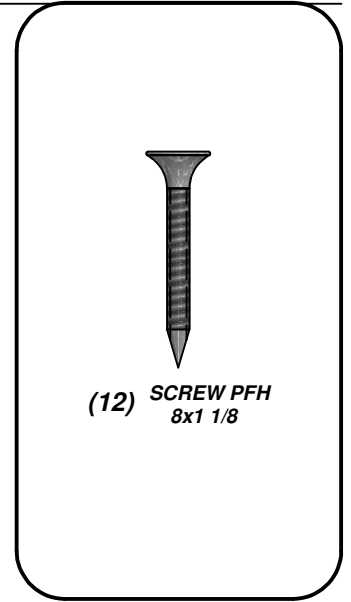


(2) N12 - ROOF SUPPORT - W4L05676
5/8"x2 3/8"x33 3/8" (16x60x848)

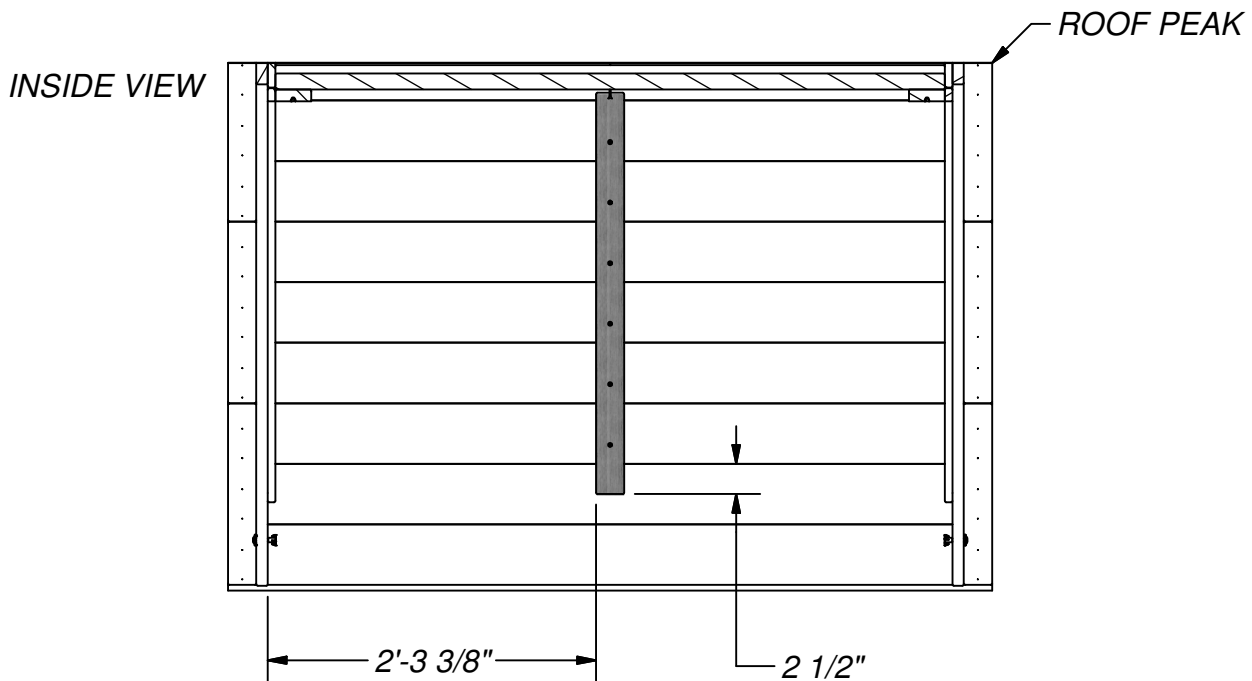
STEP 38

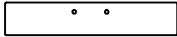


SCREW PFH 8x1 1/8
(12 PLCS)

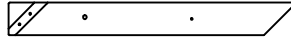


(12) SCREW PFH
8x1 1/8

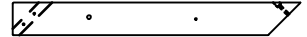




(2) H12 - AWNING CROSS BRACE - W4L05672
1"x3 3/8"x18" (24.0x86.0x456.0)

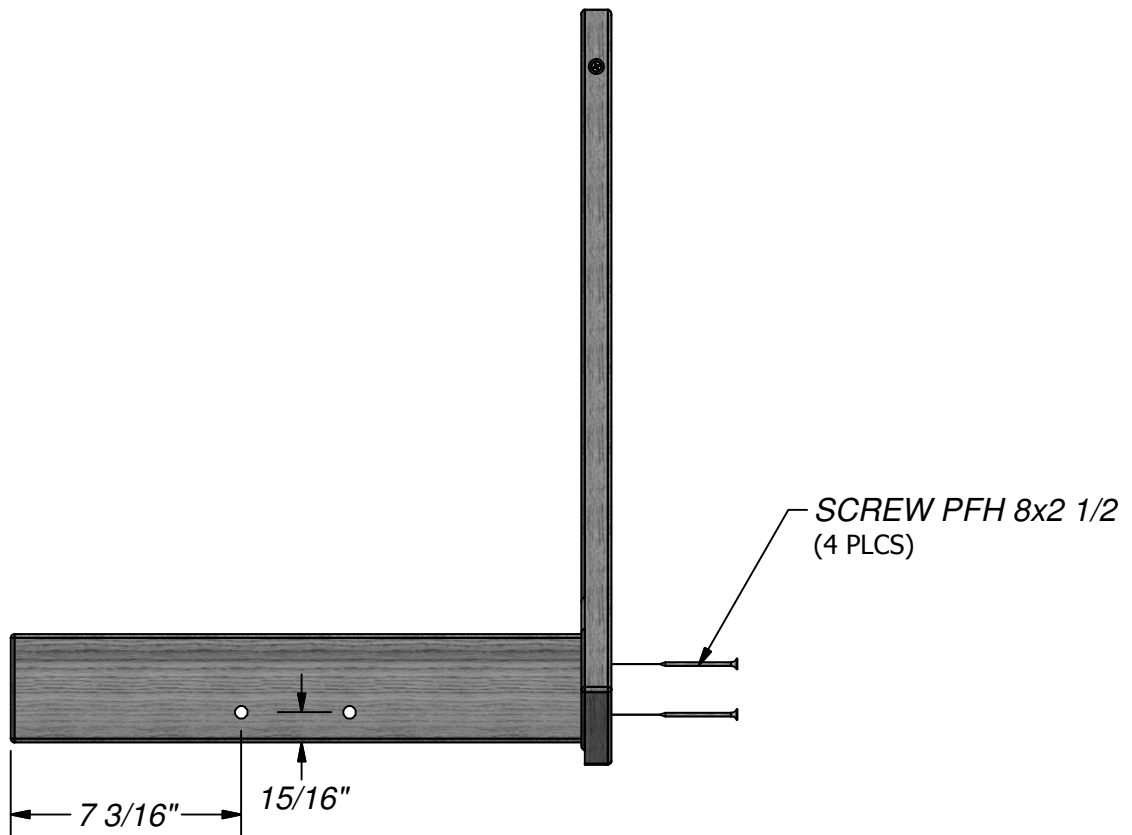
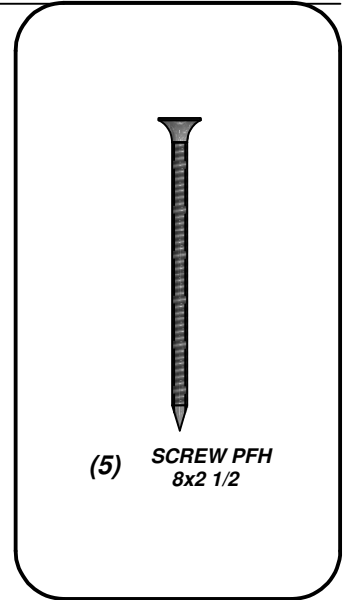
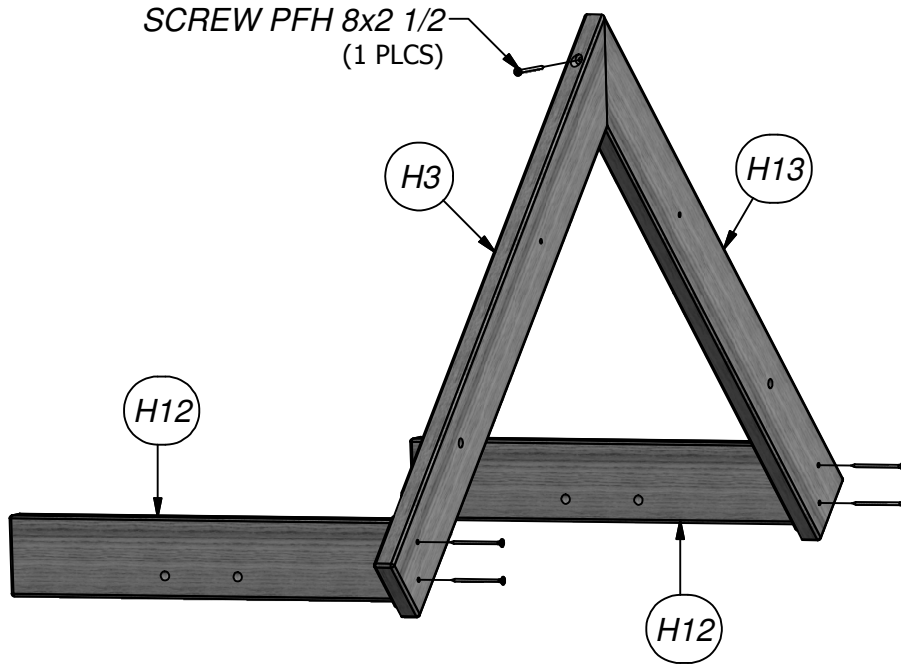


(1) H13 - RAFTER BOARD - W4L05674
1"x3 3/8"x30" (24.0x86.0x762.0)



(1) H3 - RAFTER BOARD - W4L05675
0.945 in"x3 3/8"x30" (24x86x762)

STEP 39



(1) **N4 - SUNBURST CROSS SPOKE - W101047**
 5/8"x2 3/8"x29 1/2" (16.0x60.0x750.0)

(2) **N8 - SUNBURST ANGLED SPOKE - W101050**
 5/8"x2 3/8"x7 7/8" (16.0x60.0x200.0)

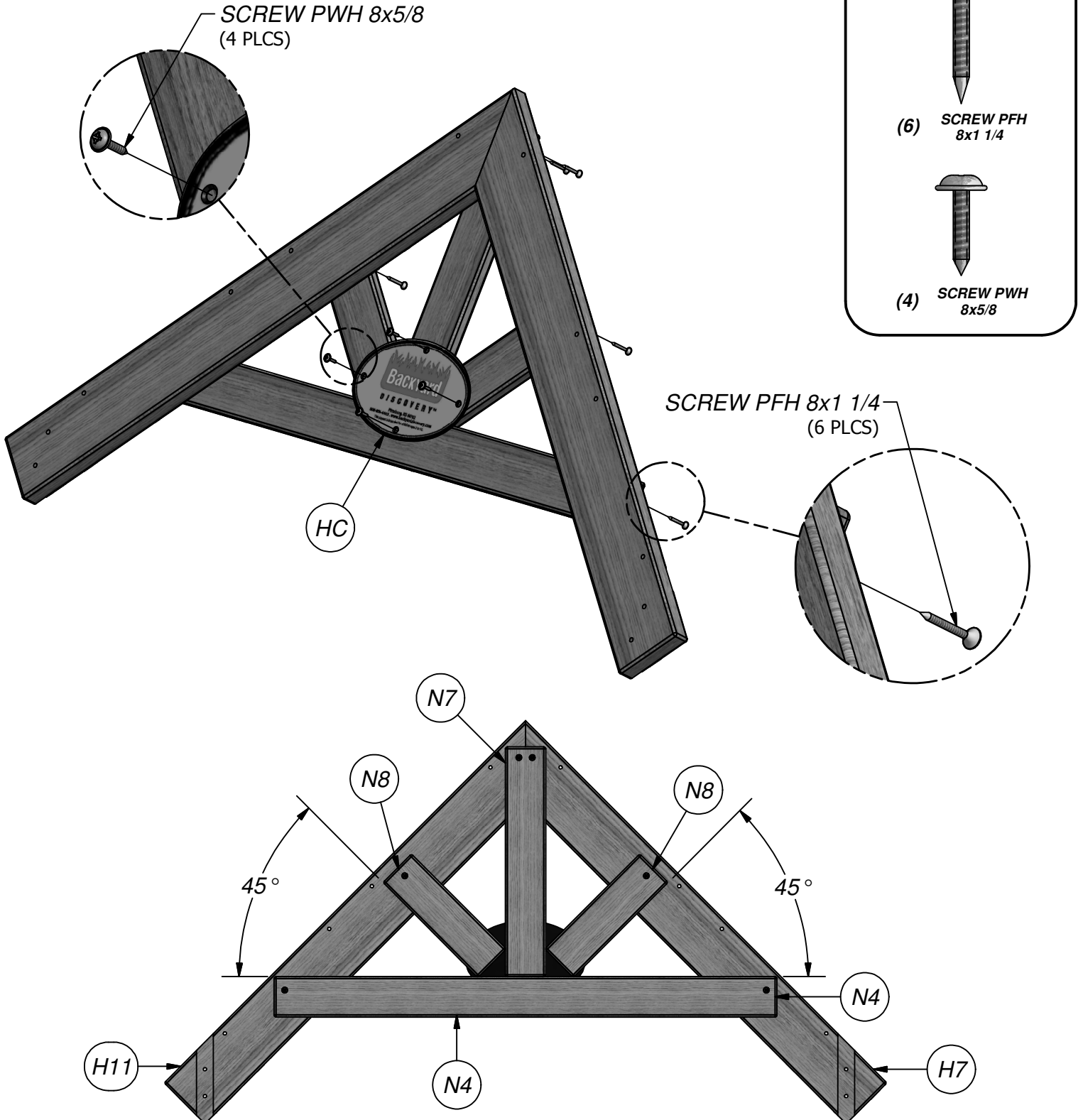
(1) **H7 - RAFTER BOARD - W4L05680**
 1"x3 3/8"x30" (24x86x762)

(1) **N7 - SUNBURST VERTICAL SPOKE - W101049**
 5/8"x2 3/8"x13 1/2" (16.0x60.0x342.0)

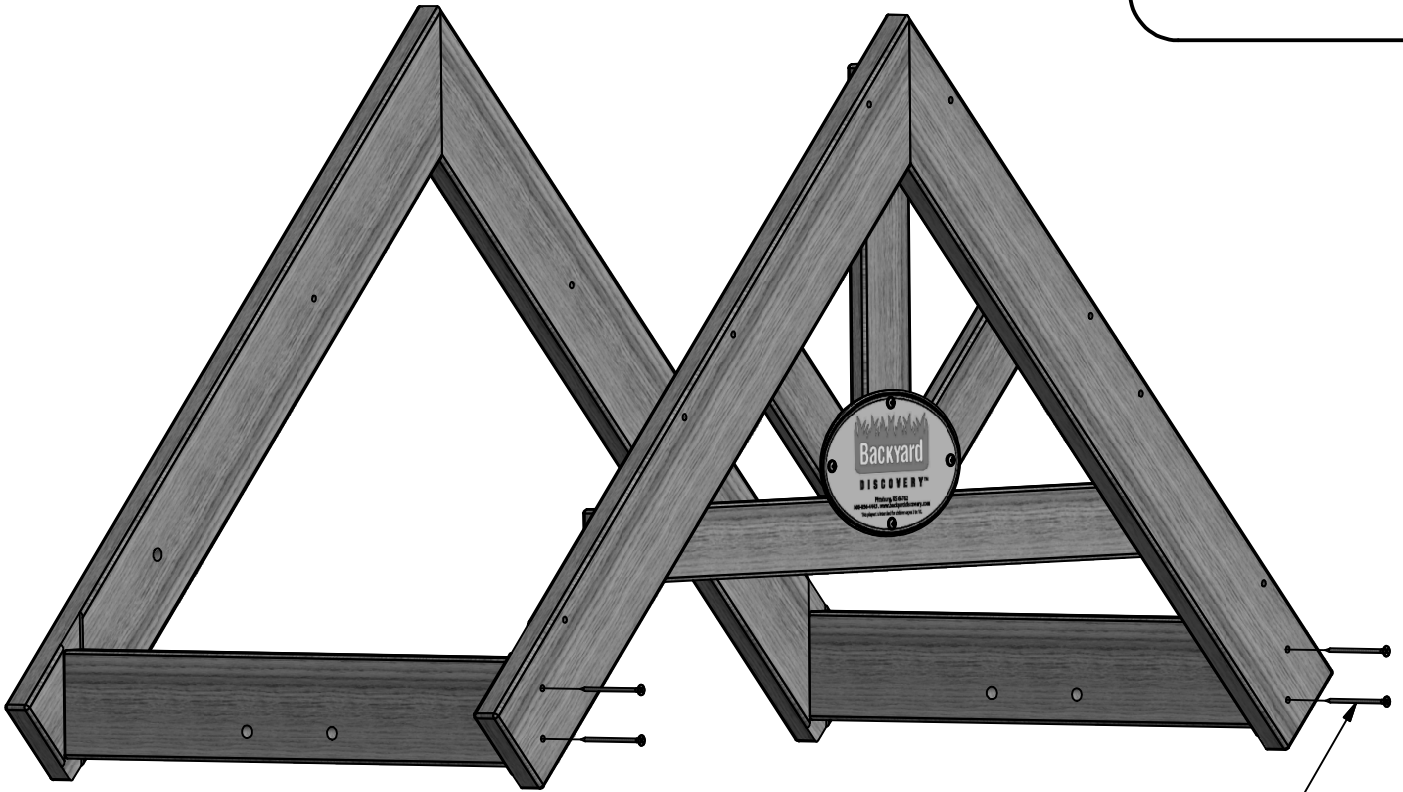
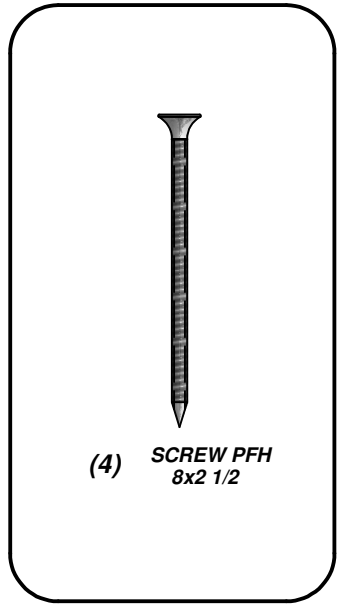
(1) **HC - BYD ID TAG (LARGE) 2011 WITH AGES - A100164**

(1) **H11 - RAFTER BOARD - W4L05679**
 1"x3 3/8"x30" (24.0x86.0x762.0)

STEP 40



STEP 41

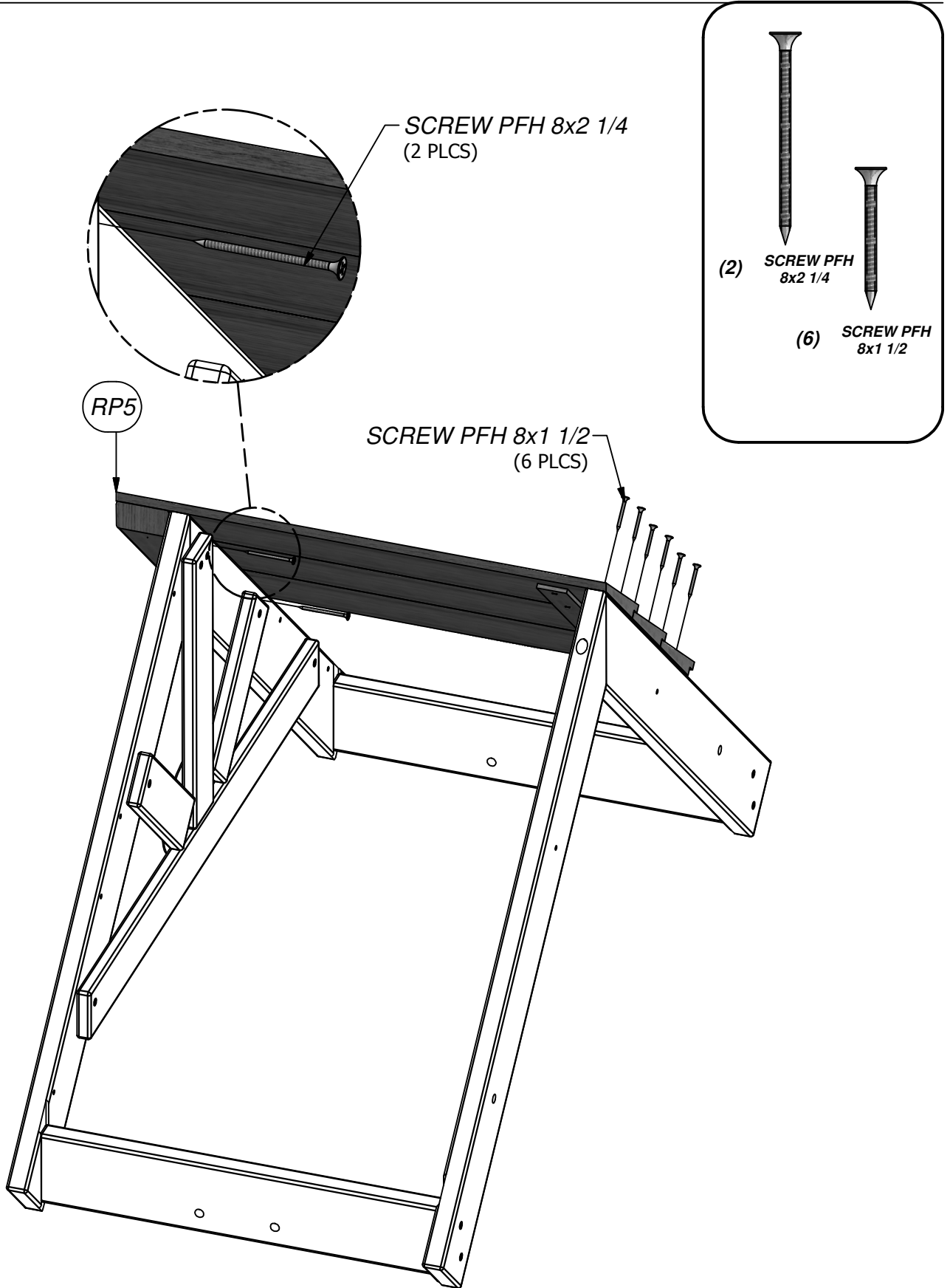


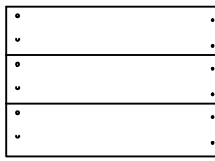
SCREW PFH 8x2 1/2
(4 PLCS)

•	•
•	•
•	•
•	•
•	•
•	•

RP5 - ROOF PANEL - W2A01774
 (1) 1 5/8"x15 5/8"x22" (42x396x558)

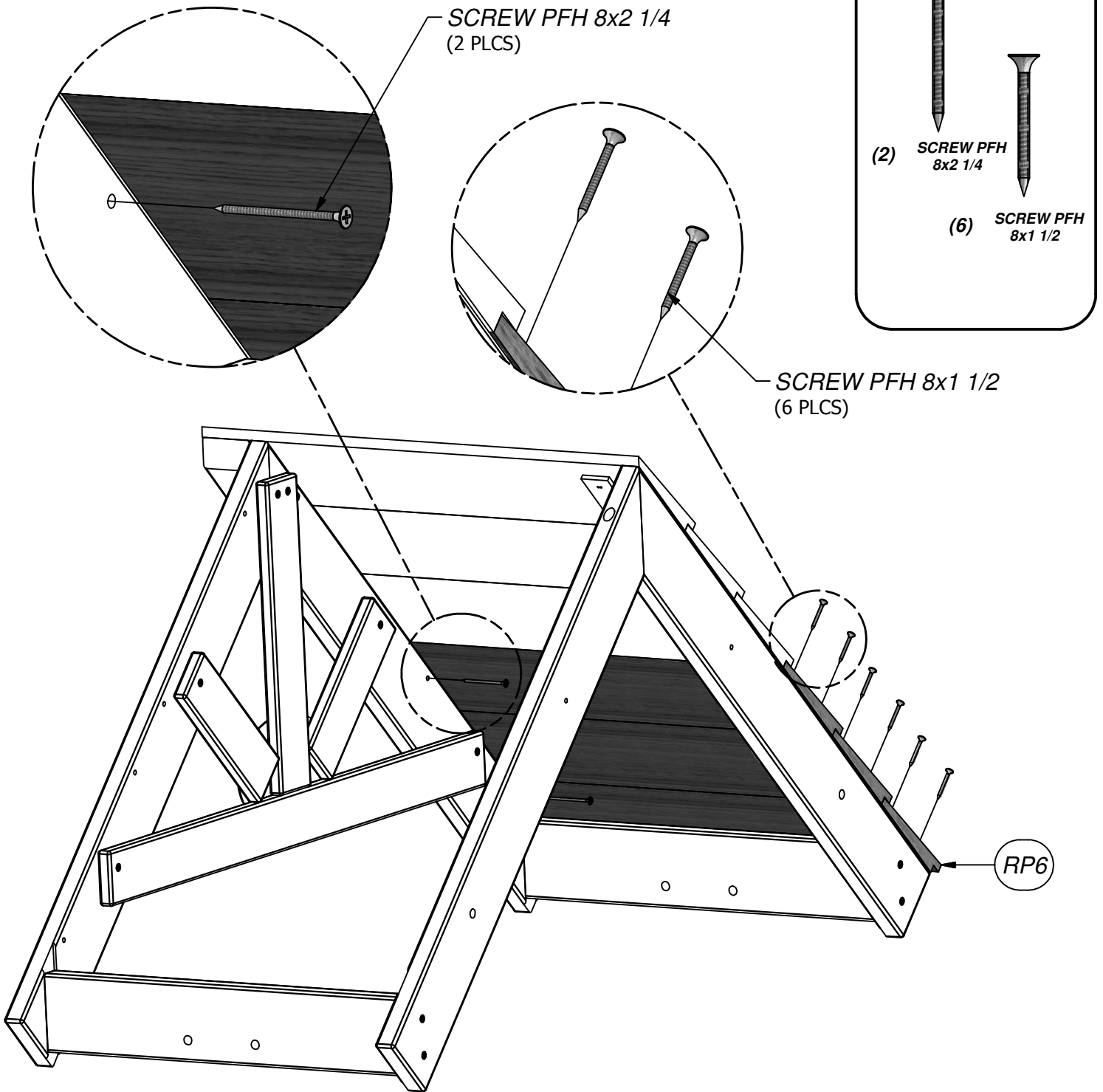
STEP 42





RP6 - ROOF PANEL - W2A01775
(1) 1 5/8"x15 5/8"x22" (42x396x558)

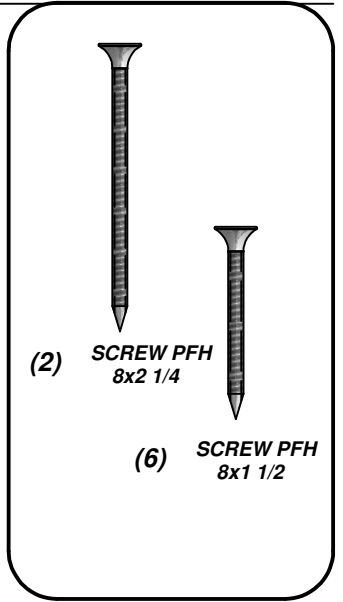
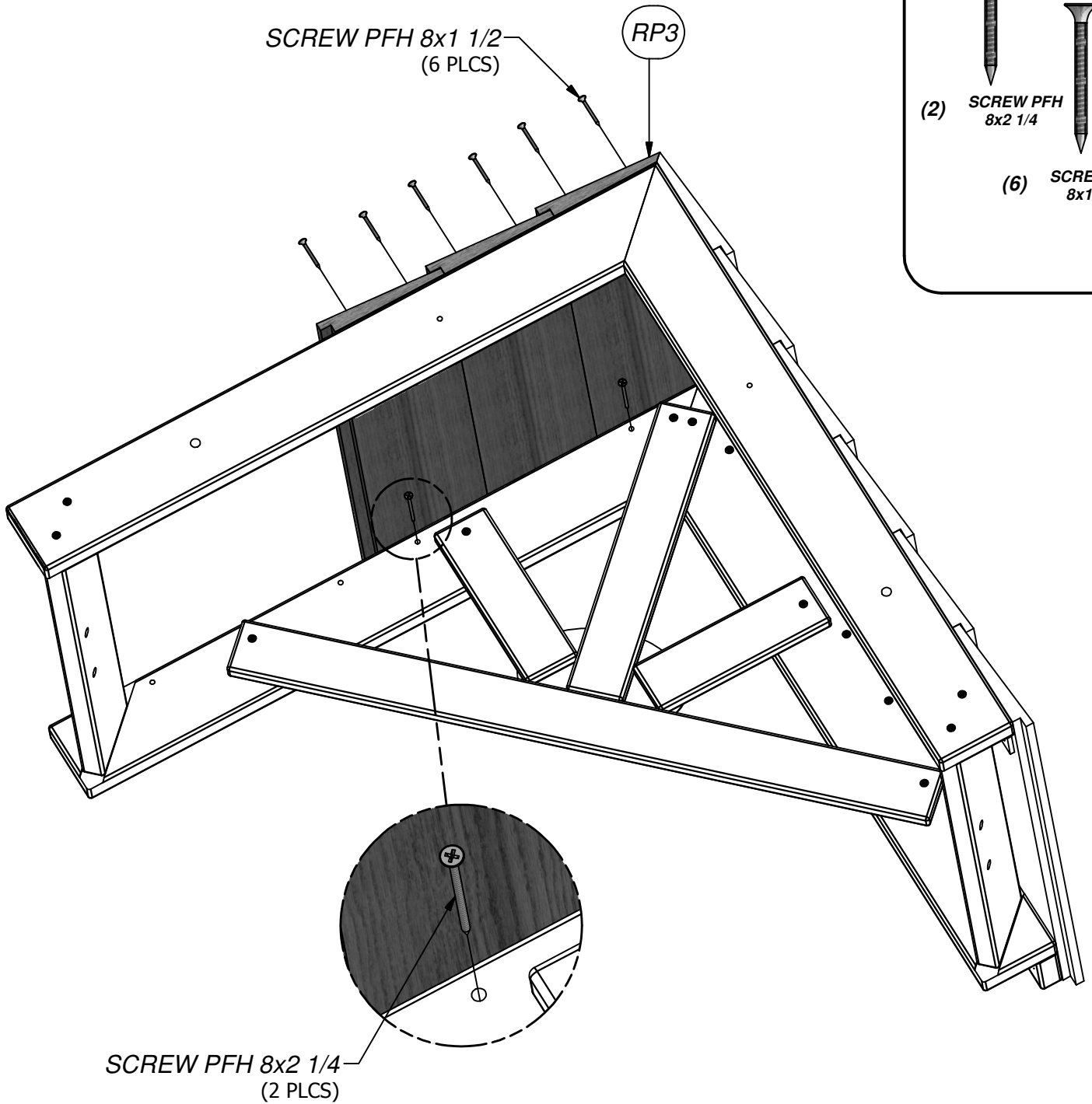
STEP 43

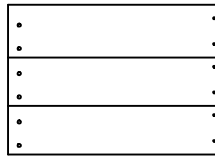




RP3 - ROOF PANEL - W2A01772
(1) 1 5/8"x15 5/8"x22" (42x396x558)

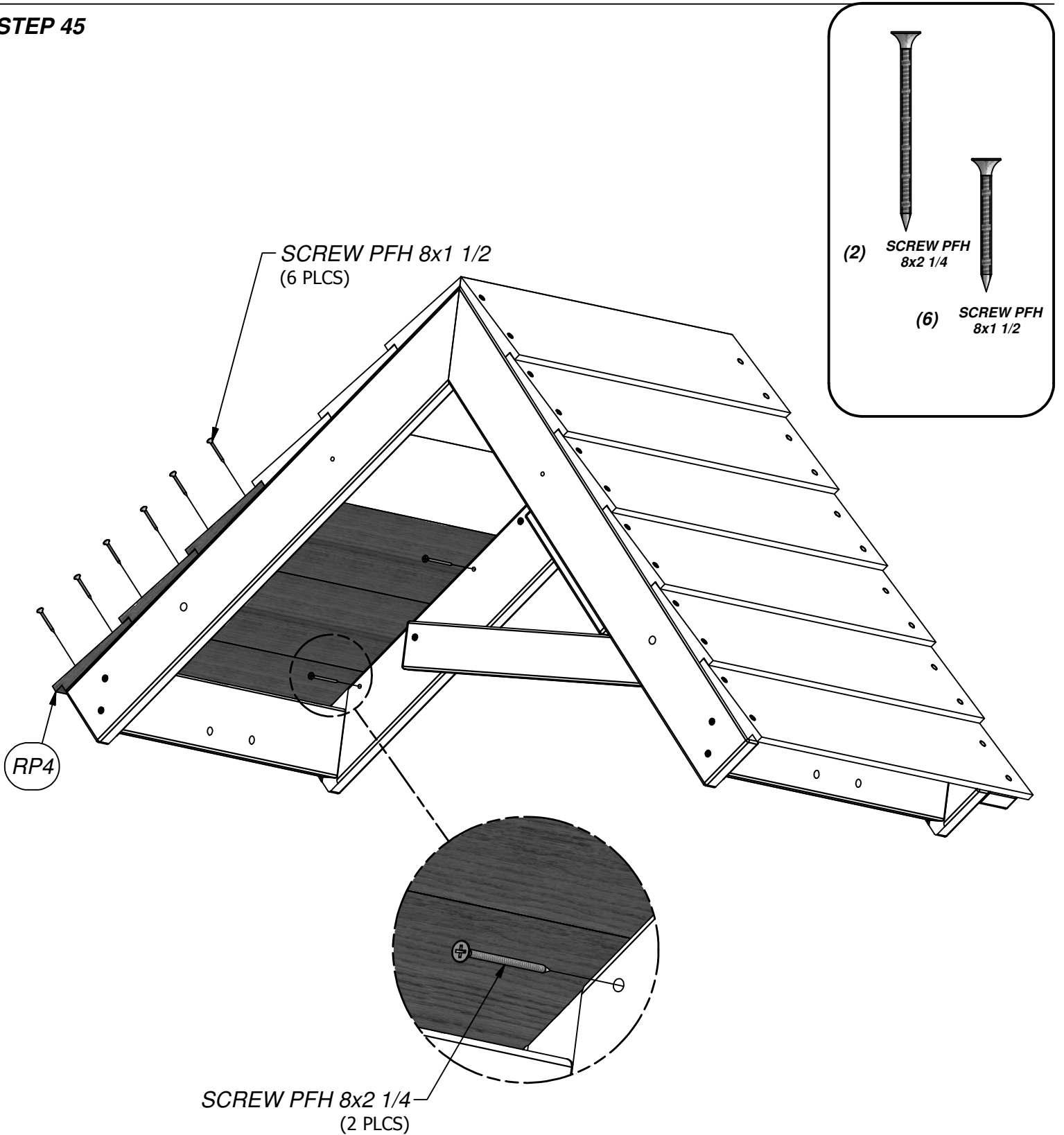
STEP 44





RP4 - ROOF PANEL - W2A01773
(1) 1 5/8"x15 5/8"x22" (42x396x558)

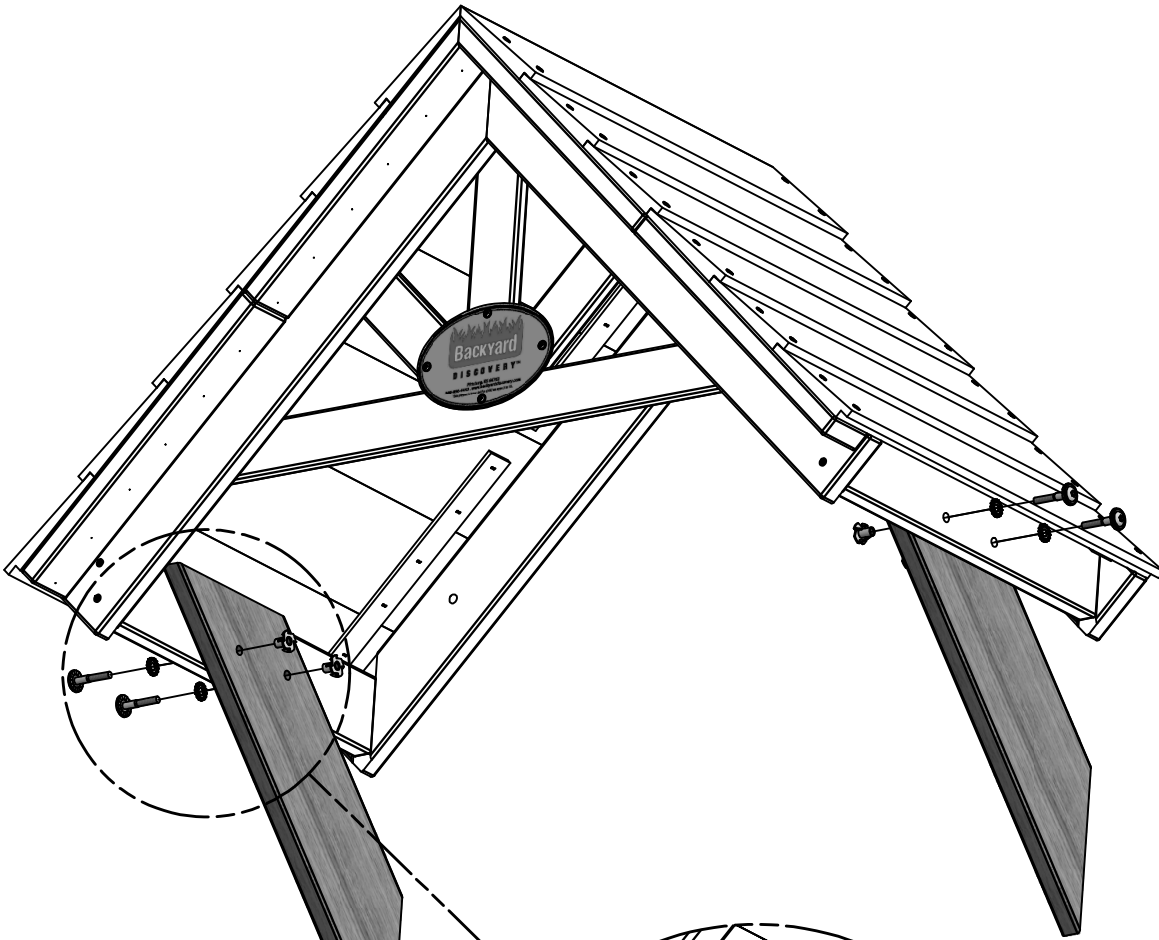
STEP 45





(2) G11 - AWNING SUPPORT - W101072
1"x5 1/4"x23 5/8" (24.0x134.0x600.0)

STEP 46



(4) BOLT WH
5/16x1 3/4

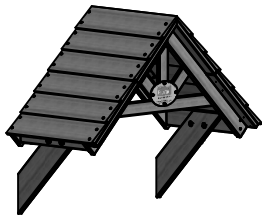
(4) WASHER
LOCK EXT
8x19

(4) T-NUT 5/16

BOLT WH 5/16x1 3/4
(4 PLCS)

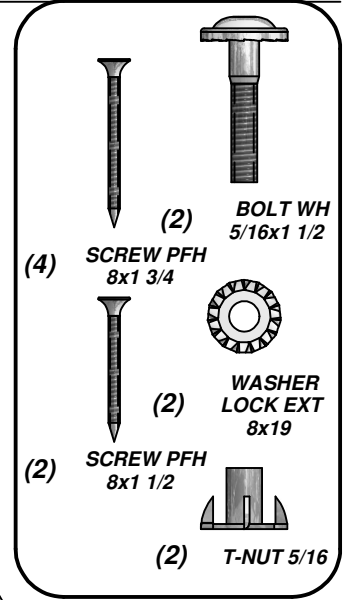
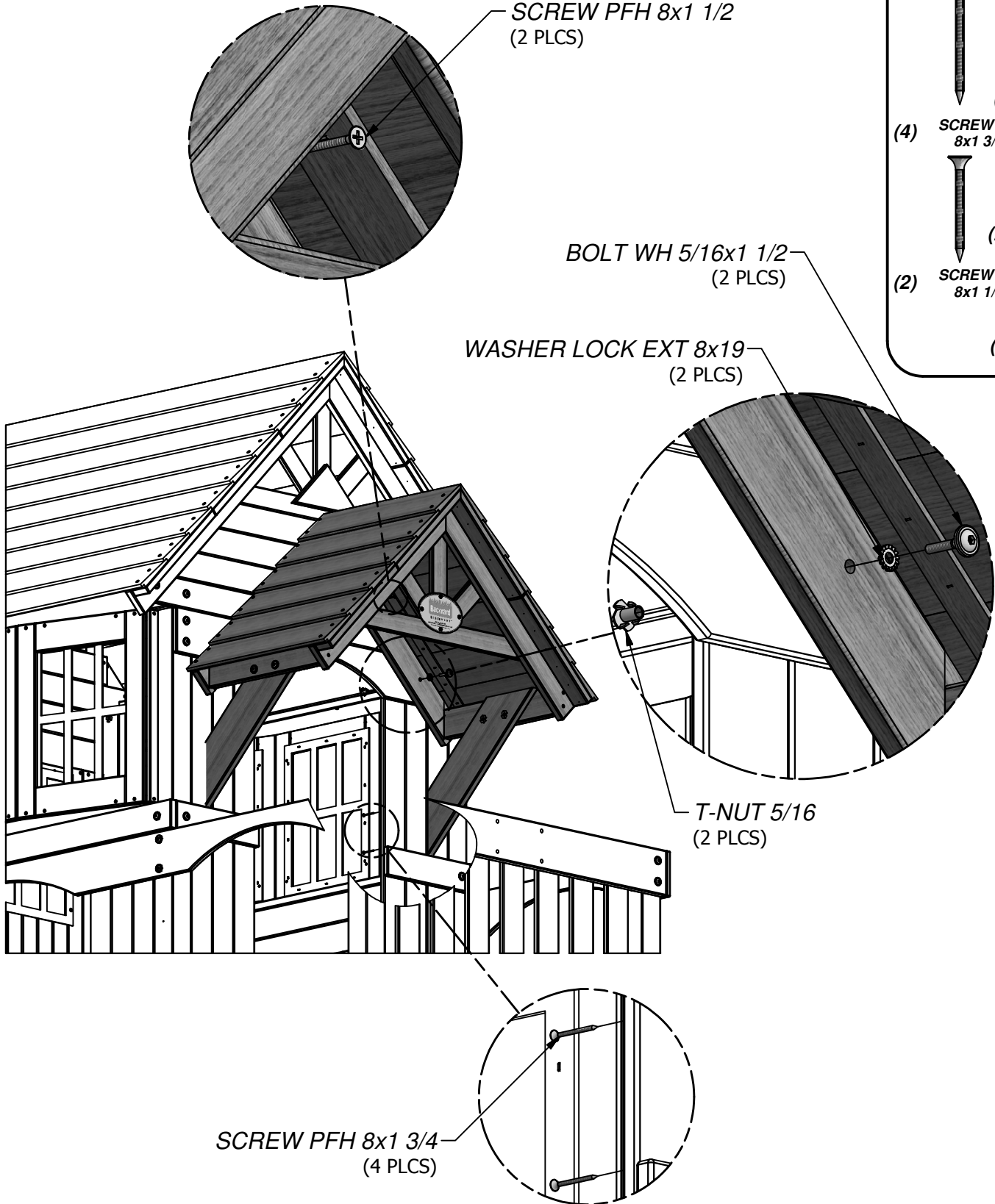
WASHER LOCK EXT 8x19
(4 PLCS)

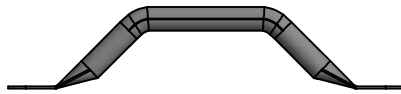
T-NUT 5/16
(4 PLCS)



(1) AWNING ASSEMBLY

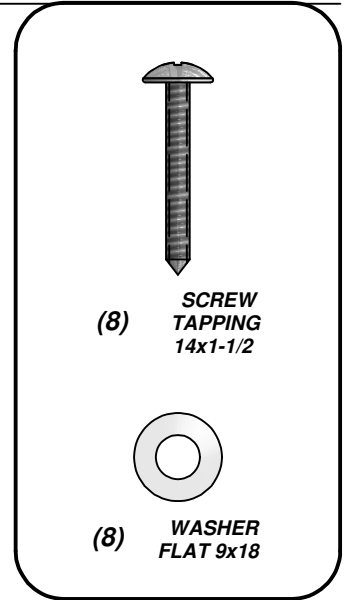
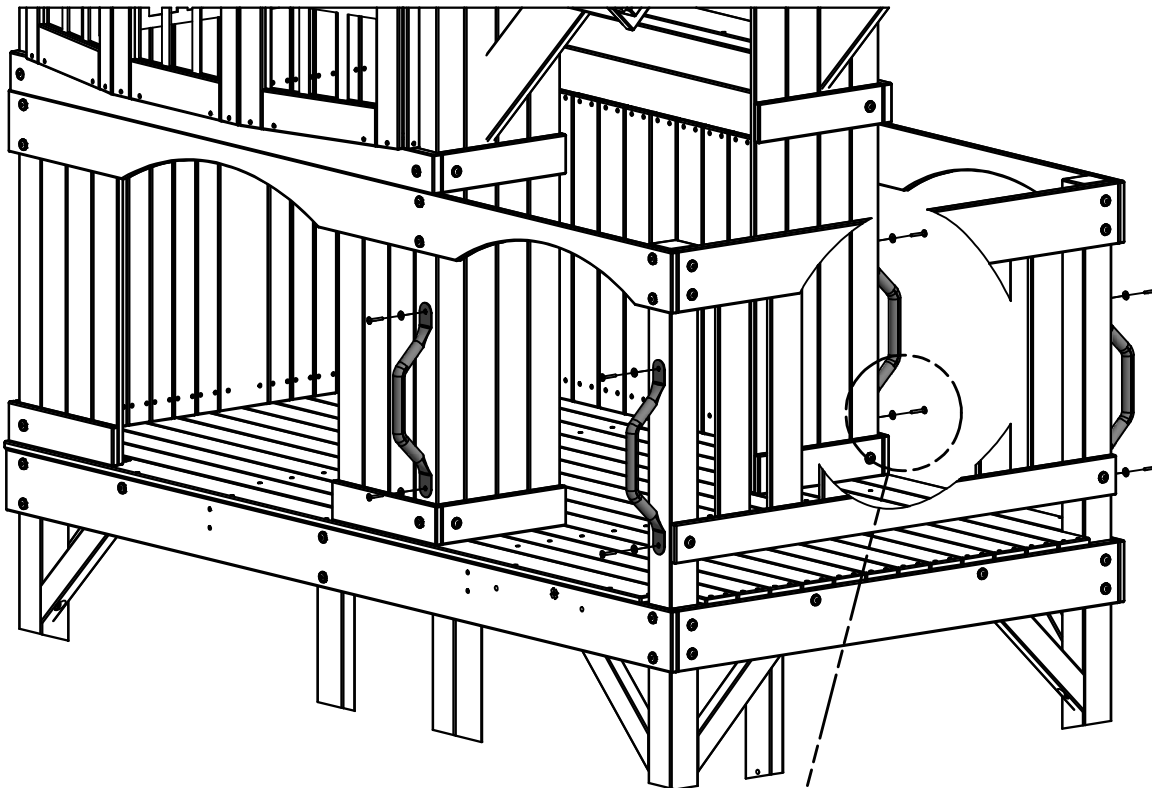
STEP 47





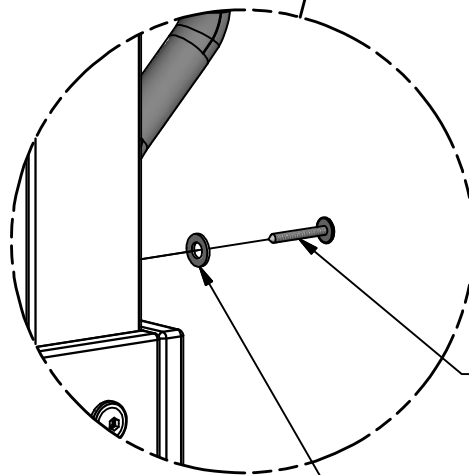
(4) FX - HAND GRIP METAL GREEN 381 c/c - A100118

STEP 48



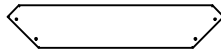
(8) SCREW
TAPPING
14x1-1/2

(8) WASHER
FLAT 9x18



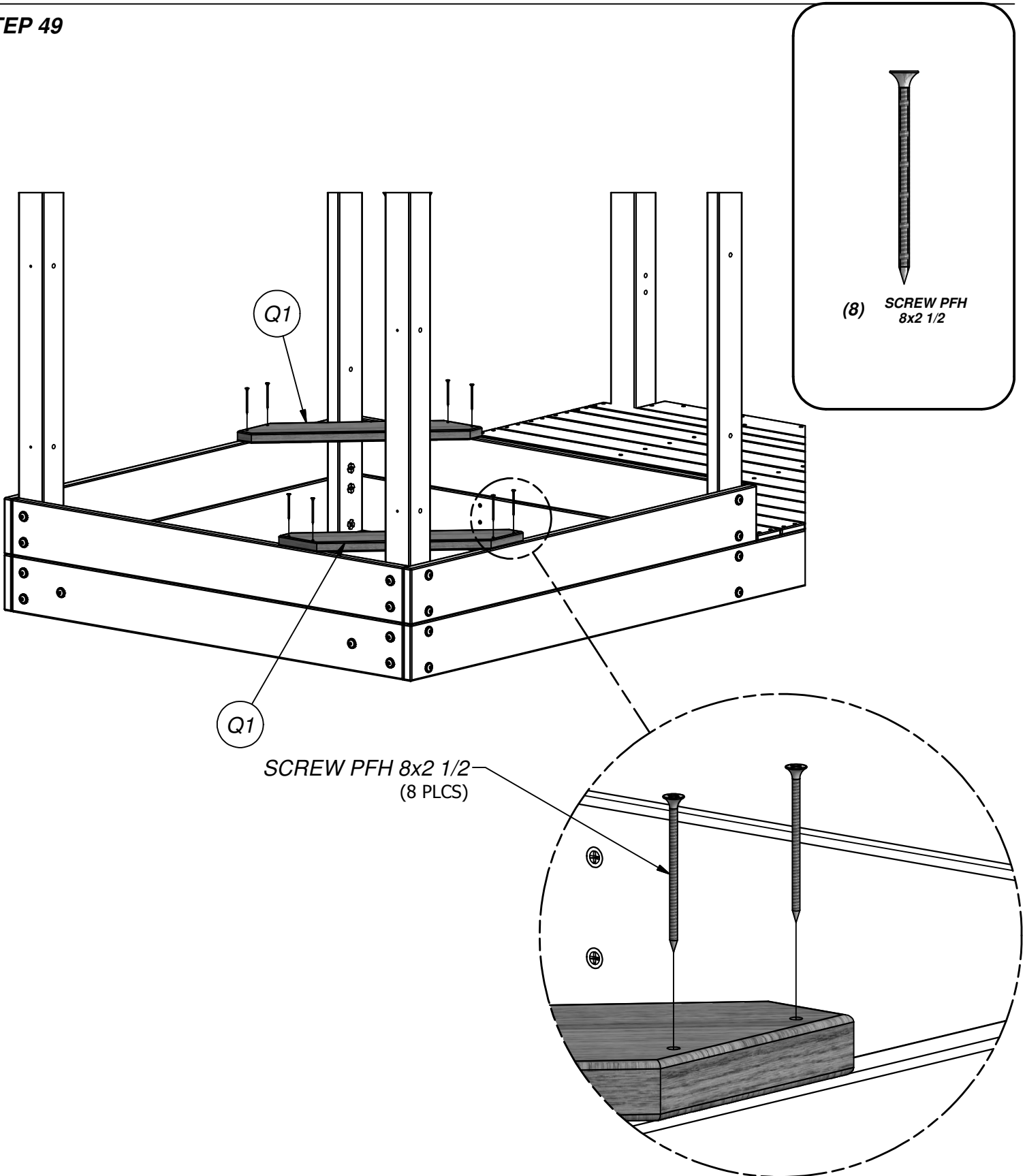
SCREW TAPPING 14x1-1/2
(8 PLCS)

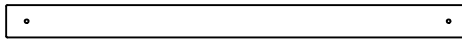
WASHER FLAT 9x18
(8 PLCS)



Q1 - SANDBOX SEAT - W4L05693
(2) 1"x4 3/8"x22 1/2" (24x112x572)

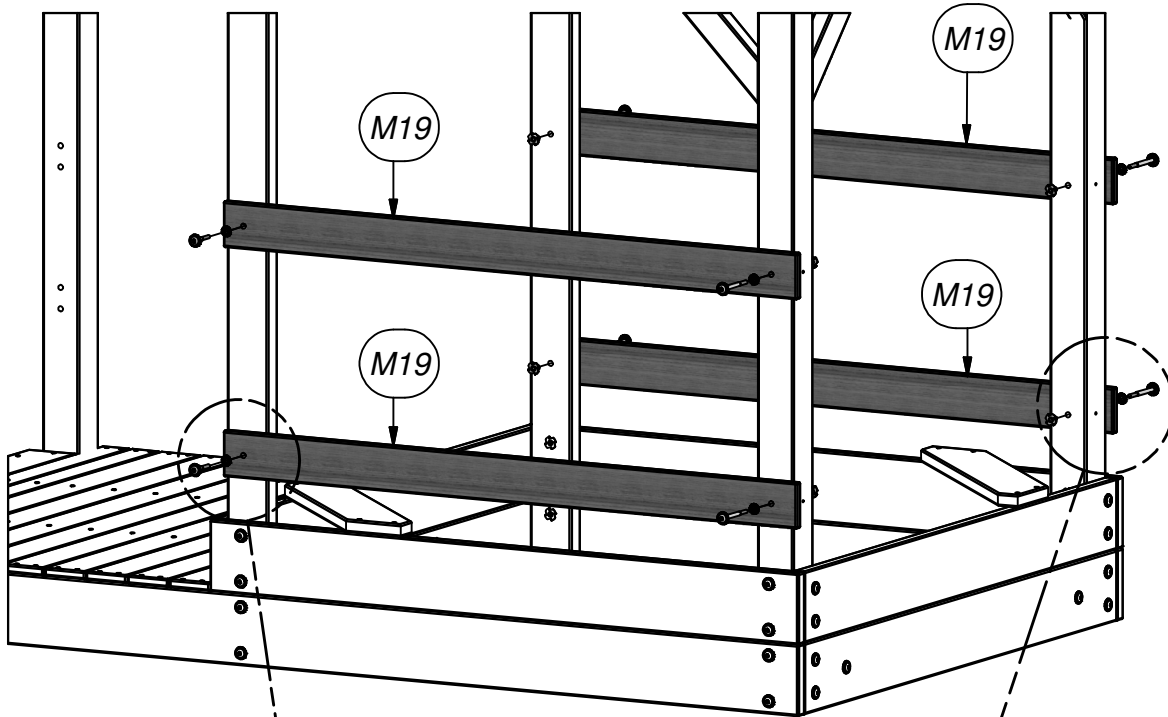
STEP 49



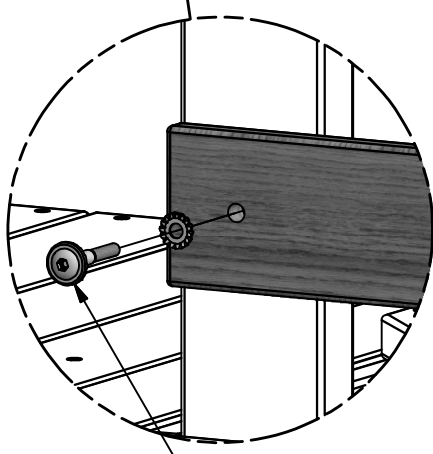


M19 - WALL RAIL - W4L05654
(4) 5/8"x3 3/8"x47 3/4" (16.0x86.0x1214.0)

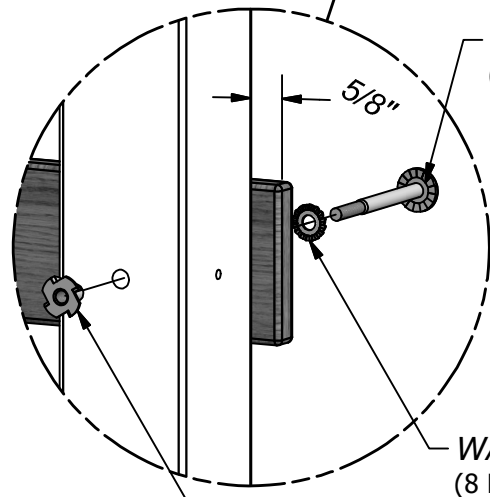
STEP 50



- (4) BOLT WH 5/16x3 1/2
- (4) BOLT WH 5/16x2
- (8) WASHER LOCK EXT 8x19
- (8) T-NUT 5/16



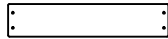
BOLT WH 5/16x2
(4 PLCS)



BOLT WH 5/16x3 1/2
(4 PLCS)

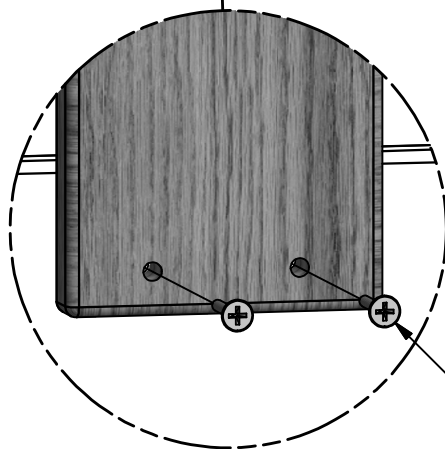
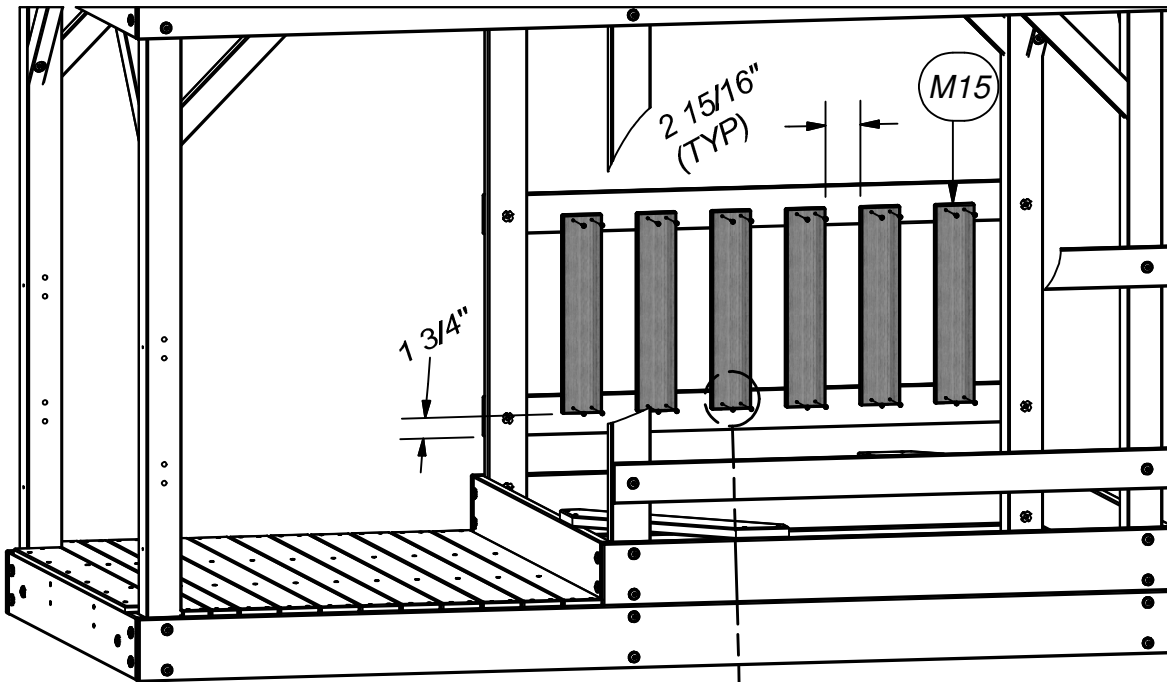
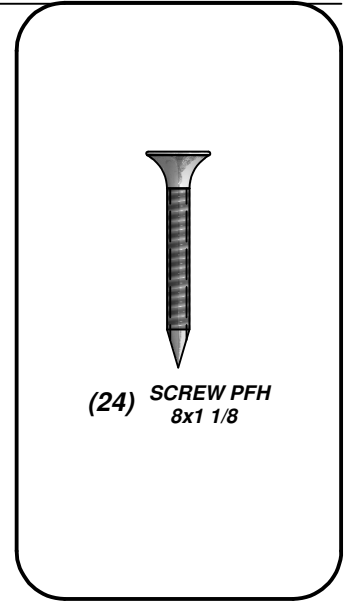
WASHER LOCK EXT 8x19
(8 PLCS)

T-NUT 5/16
(8 PLCS)

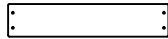


M15 - PICKET - W101055
(6) 5/8"x3 3/8"x16 3/4" (16.0x86.0x424.0)

STEP 51

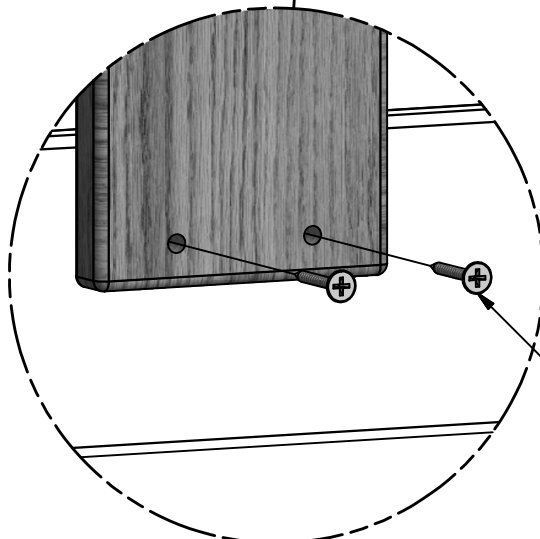
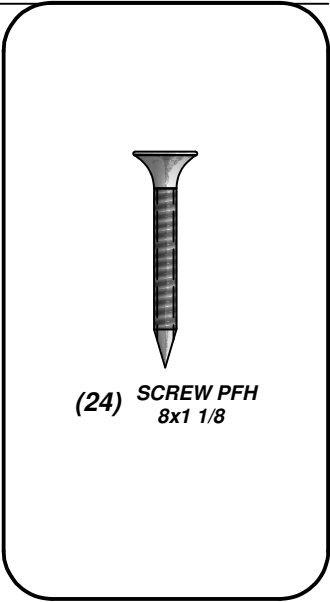
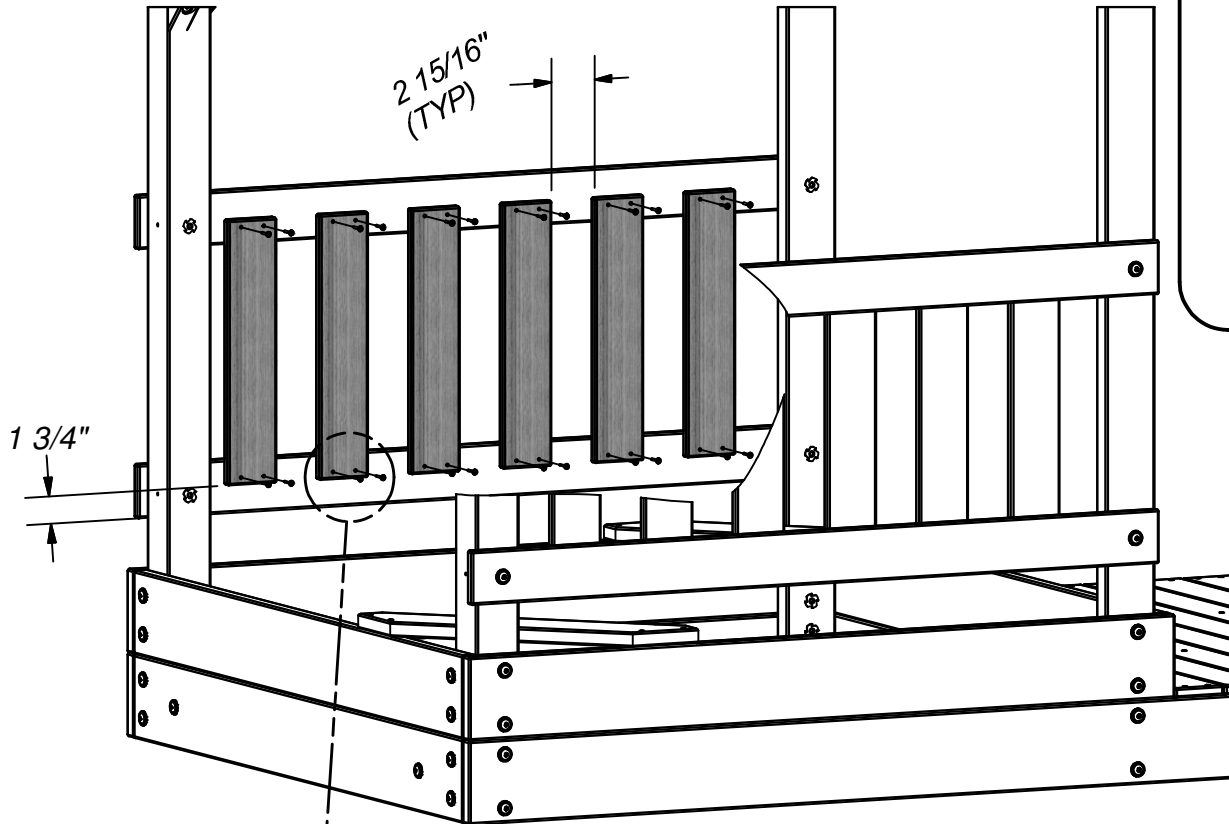


SCREW PFH 8x1 1/8
(24 PLCS)

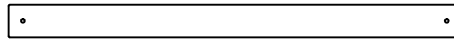


M15 - PICKET - W101055
(6) 5/8"x3 3/8"x16 3/4" (16.0x86.0x424.0)

STEP 52

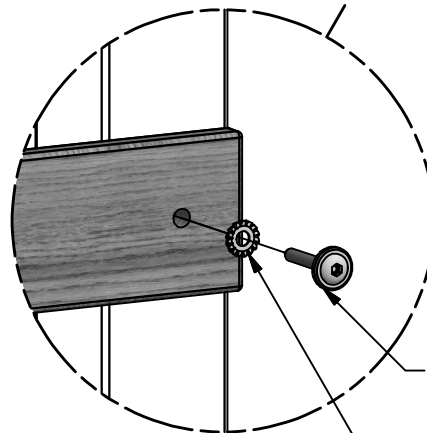
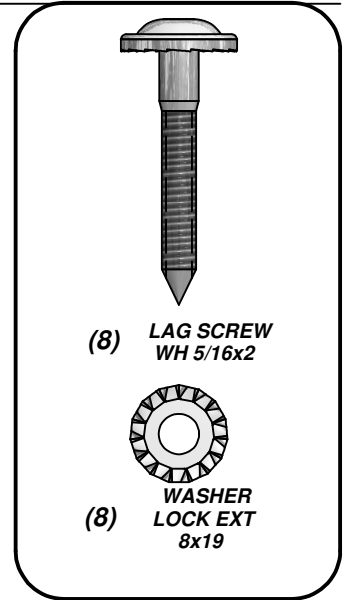
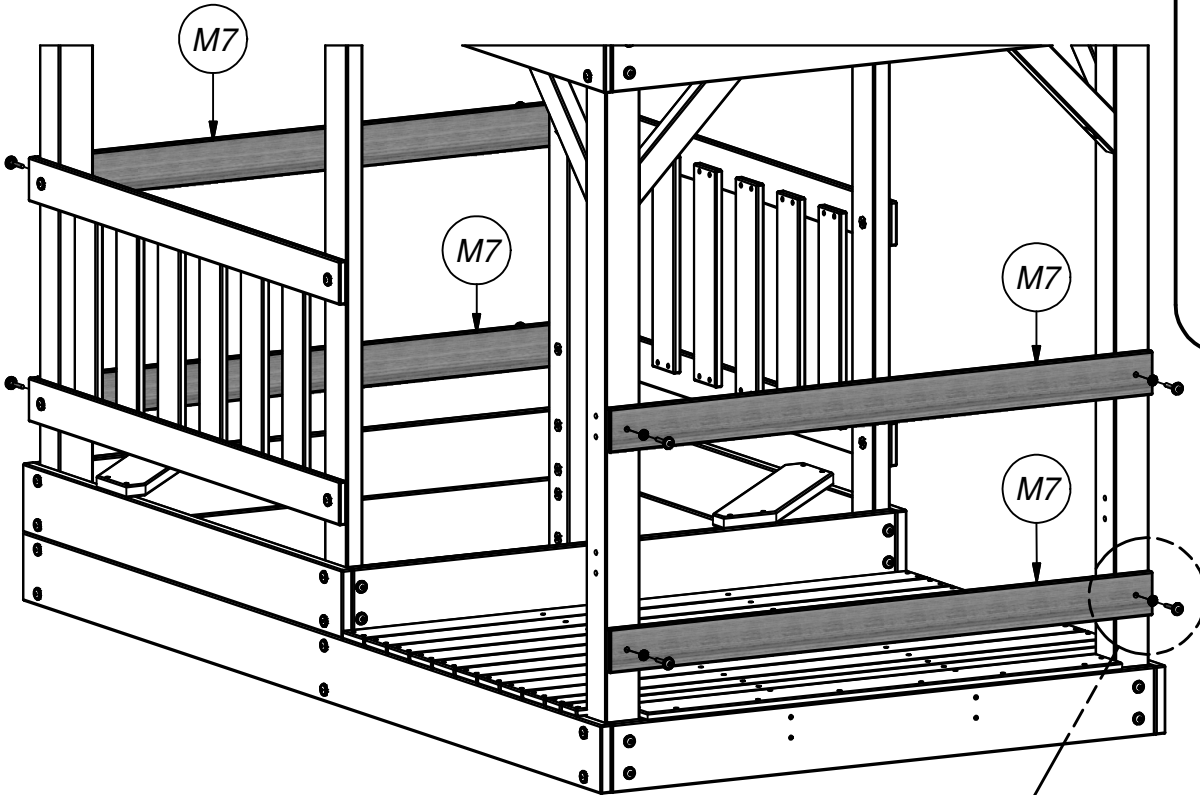


SCREW PFH 8x1 1/8
(24 PLCS)



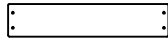
M7 - WALL RAIL - W101019
(4) 5/8"x3 3/8"x47 1/8" (16.0x86.0x1198.0)

STEP 53



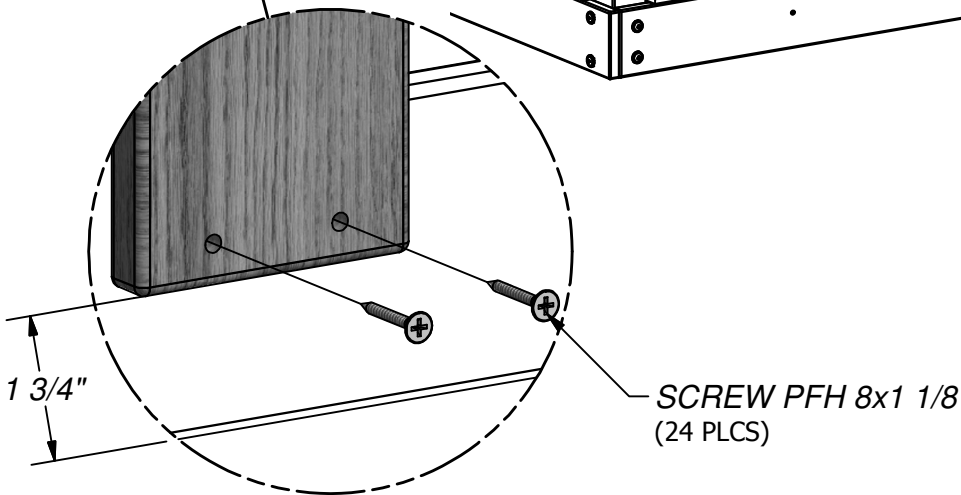
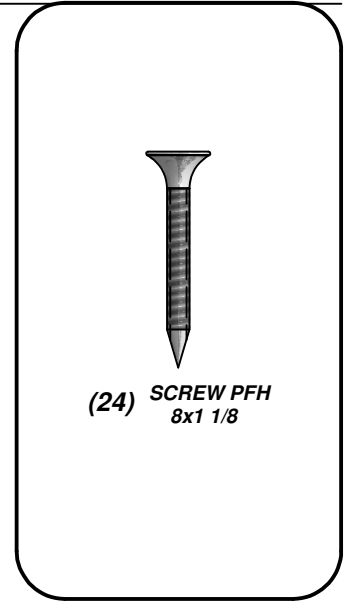
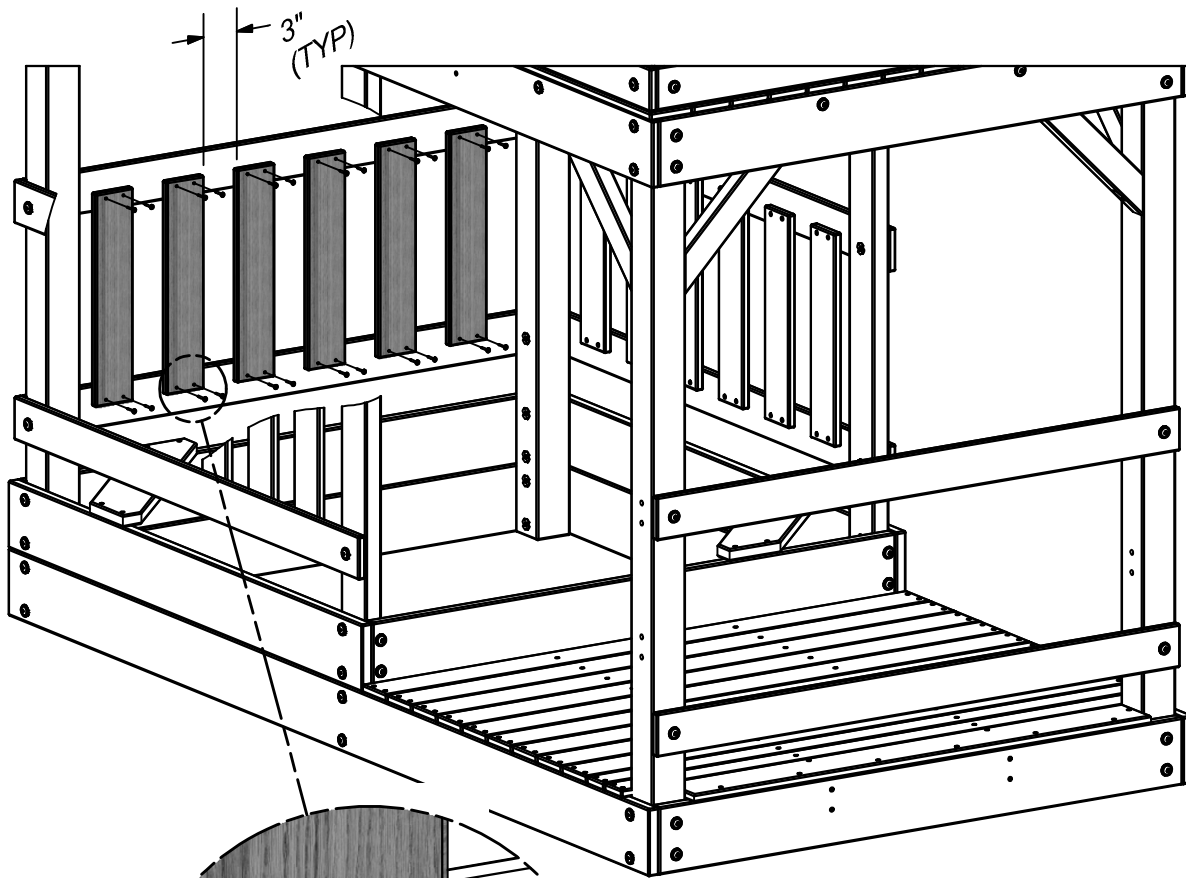
LAG SCREW WH 5/16x2
(8 PLCS)

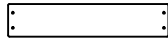
WASHER LOCK EXT 8x19
(8 PLCS)



M15 - PICKET - W101055
(6) 5/8"x3 3/8"x16 3/4" (16.0x86.0x424.0)

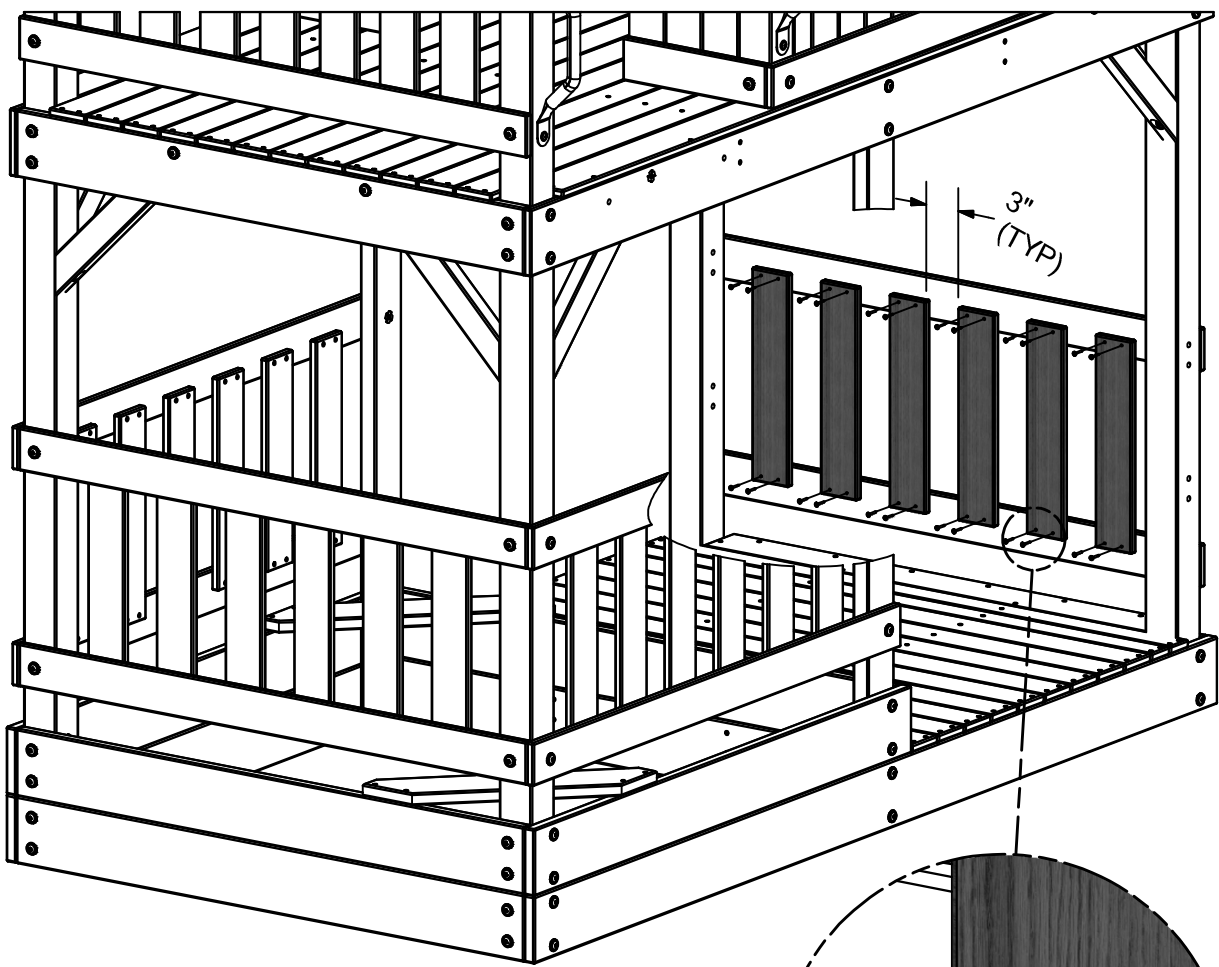
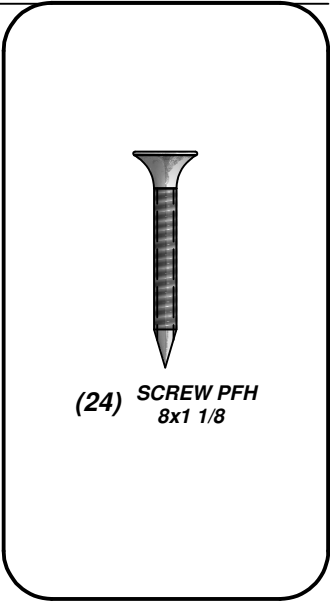
STEP 54



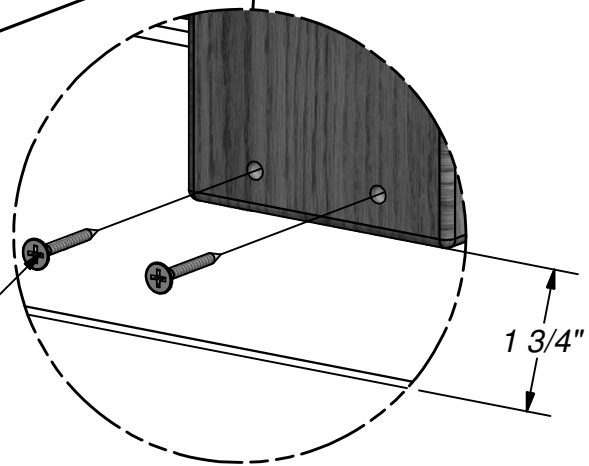


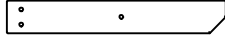
M15 - PICKET - W101055
(6) 5/8"x3 3/8"x16 3/4" (16.0x86.0x424.0)

STEP 55

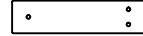


SCREW PFH 8x1 1/8
(24 PLCS)



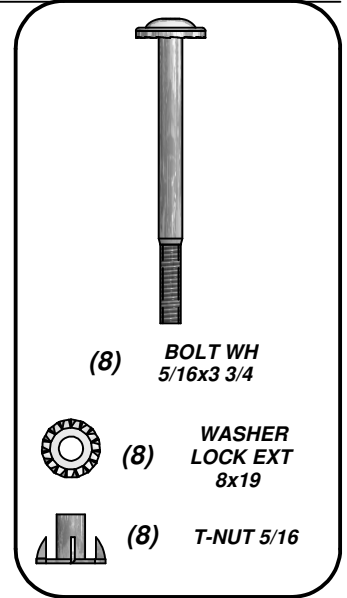
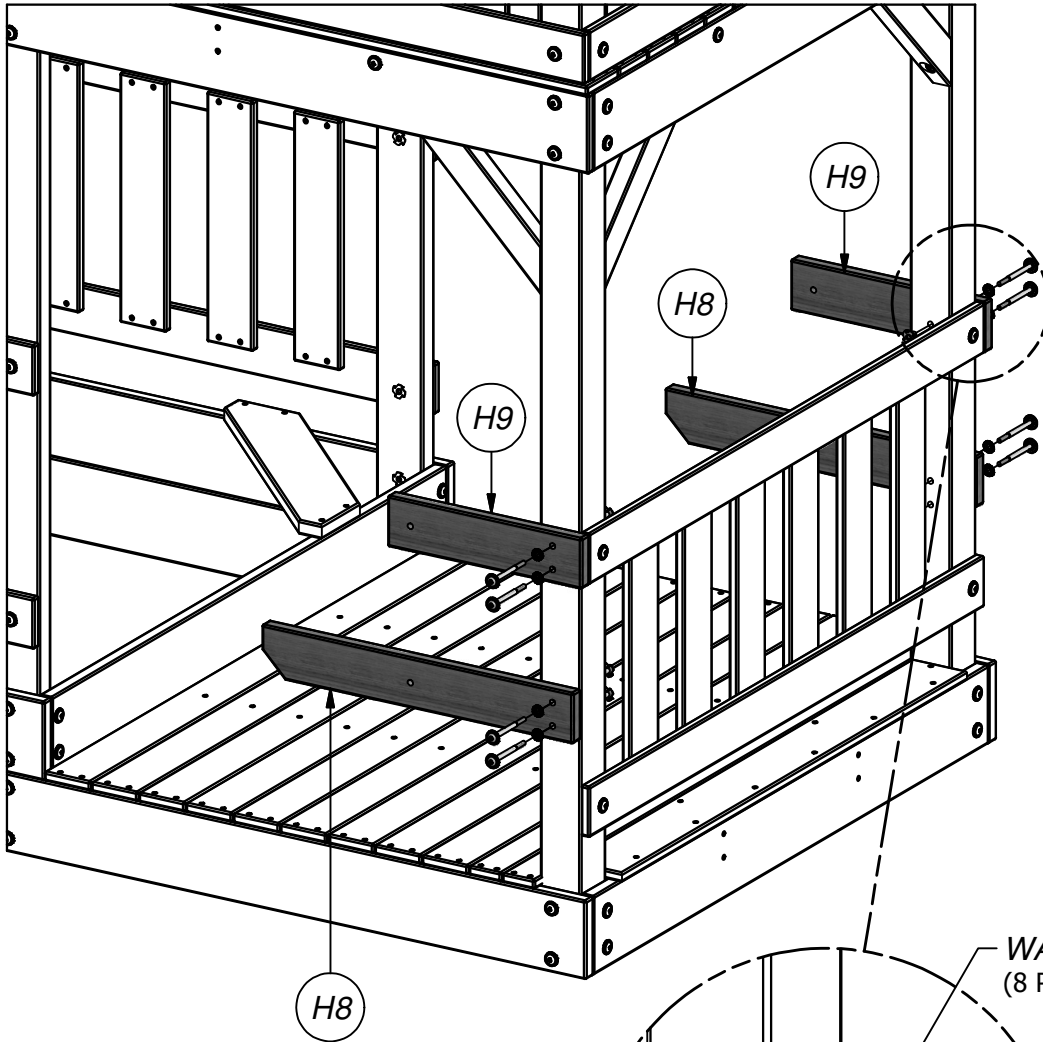


(2) **H8 - PICNIC TABLE SEAT SUPPORT - W101056**
1"x3 3/8"x22 7/8" (24.0x86.0x580.0)



(2) **H9 - PICNIC TABLE SUPPORT - W4L05669**
1"x3 3/8"x14 1/4" (24.0x86.0x362.0)

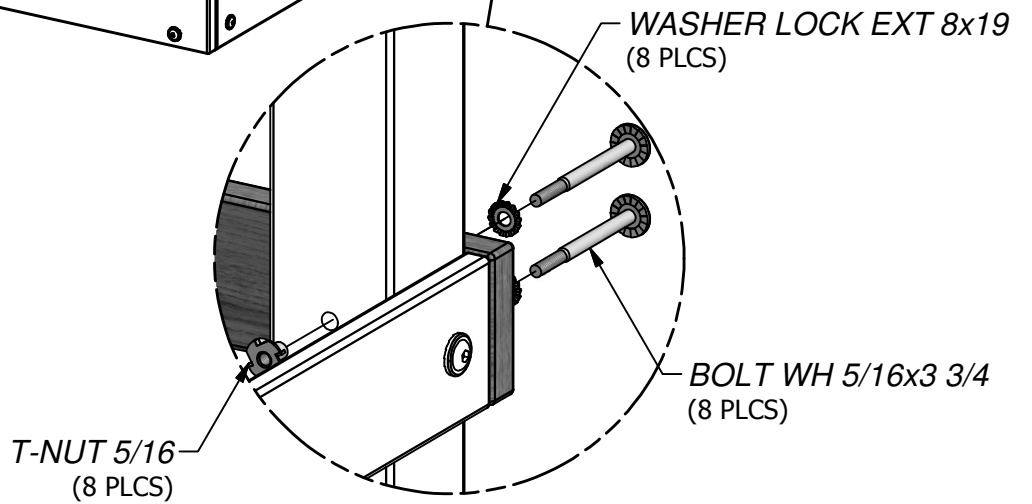
STEP 56



(8) **BOLT WH**
5/16x3 3/4

(8) **WASHER**
LOCK EXT
8x19

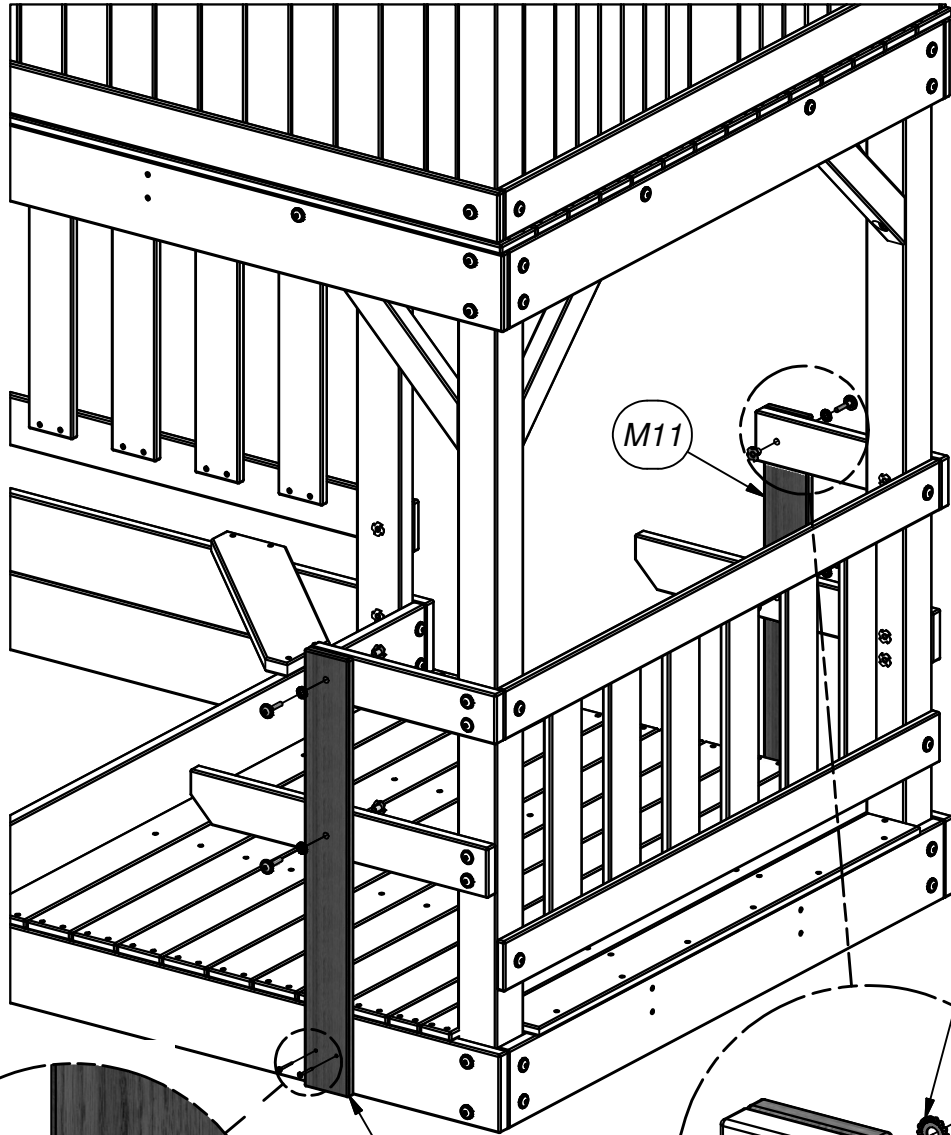
(8) **T-NUT** 5/16

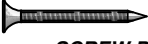
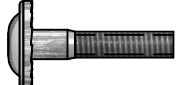




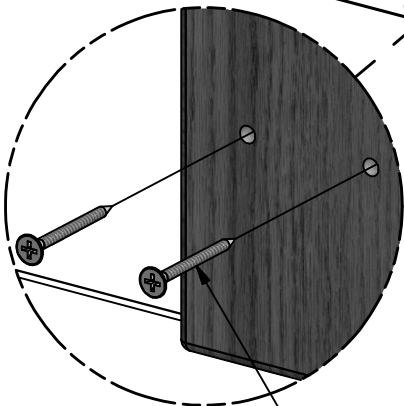


(2) **M11 - PICNIC TABLE CENTER LEG - W101057**
5/8"x3 3/8"x29 1/2" (16.0x86.0x748.0)

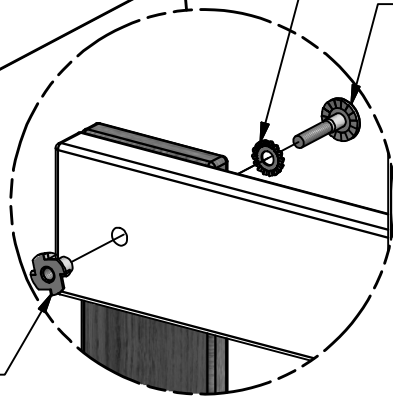
STEP 57



-  (4) **SCREW PFH 8x1 1/2**
-  (4) **BOLT WH 5/16x1 1/2**
-  (4) **WASHER LOCK EXT 8x19**
-  (4) **T-NUT 5/16**



SCREW PFH 8x1 1/2
(4 PLCS)



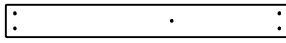
T-NUT 5/16
(4 PLCS)

WASHER LOCK EXT 8x19
(4 PLCS)

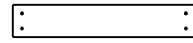
BOLT WH 5/16x1 1/2
(4 PLCS)



(2) **J1 - FLOOR SUPPORT - W101037**
1"x2 3/8"x3" (24x60x76)

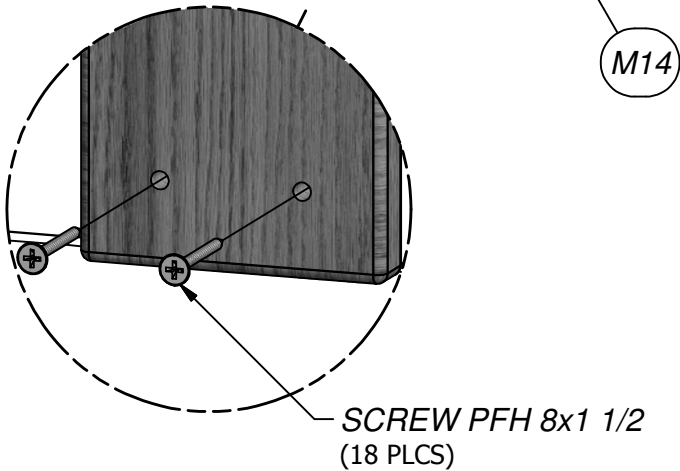
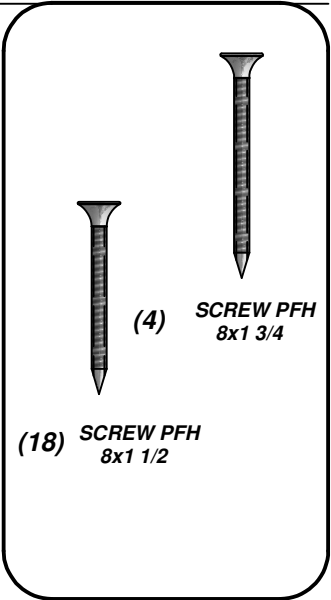
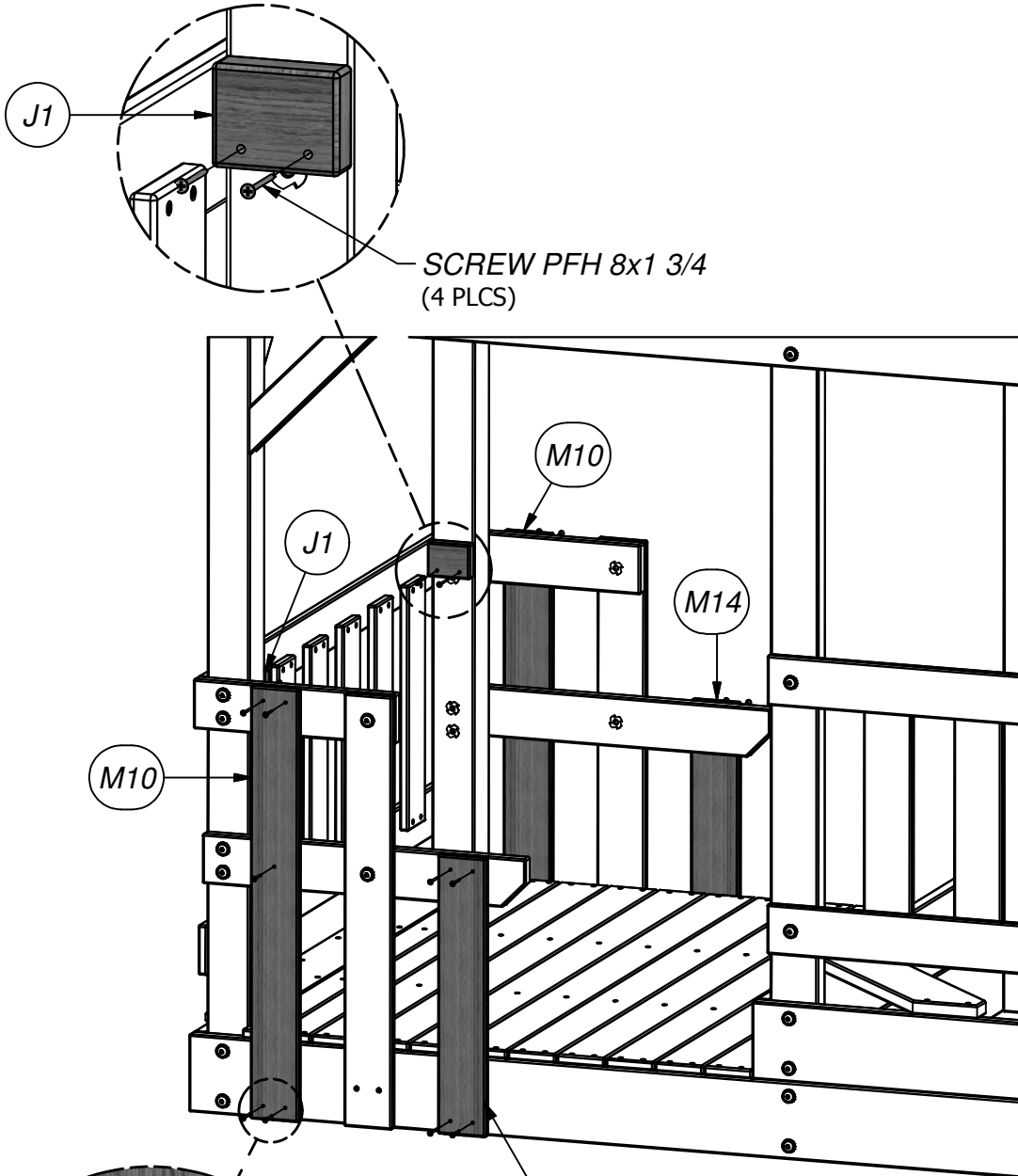


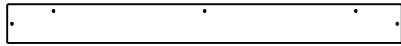
(2) **M10 - PICNIC TABLE BACK LEG - W101064**
5/8"x3 3/8"x29 1/2" (16.0x86.0x748.0)



(2) **M14 - PICNIC TABLE FRONT LEG - W101061**
5/8"x3 3/8"x19" (16.0x86.0x482.0)

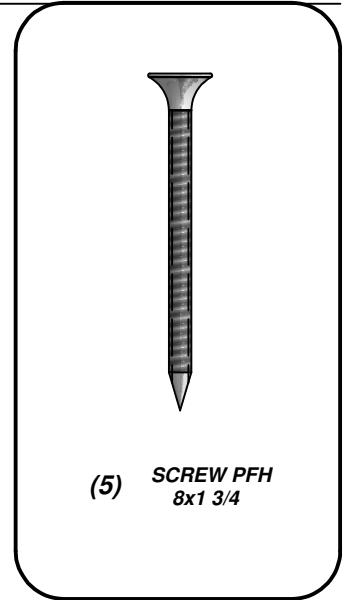
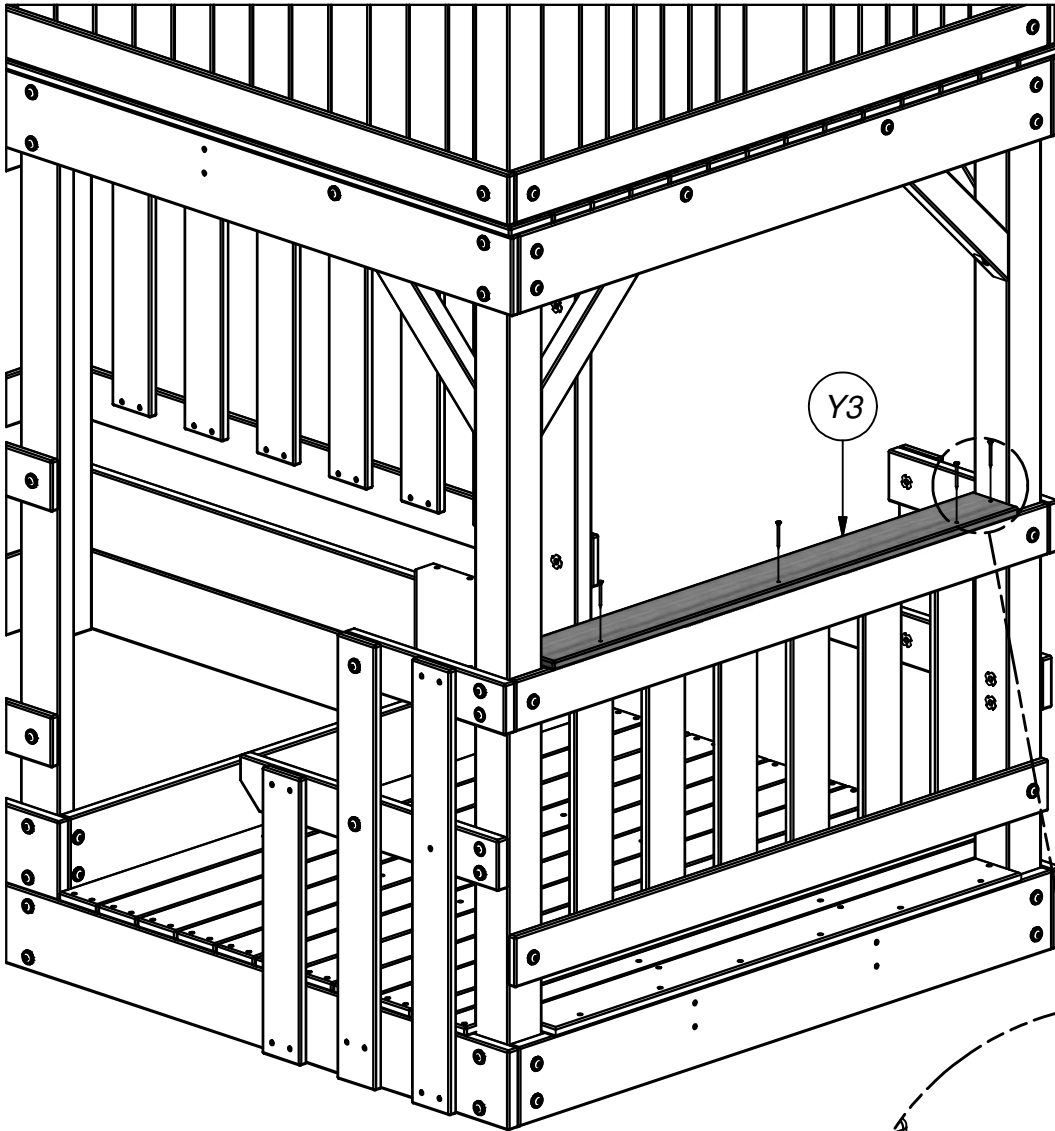
STEP 58





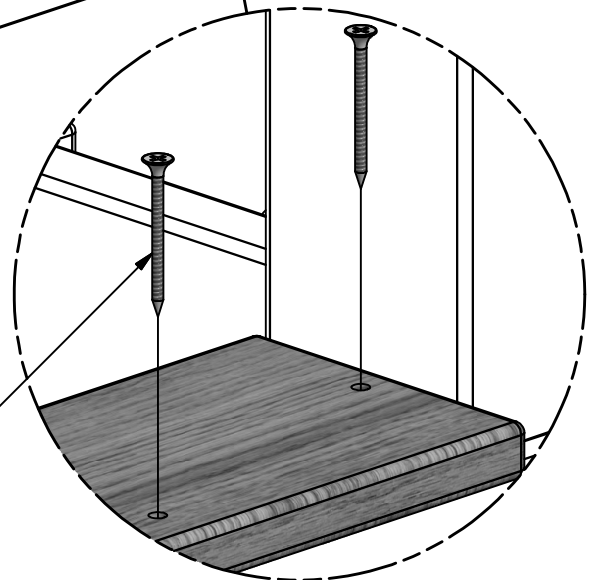
(1) **Y3 - PICNIC TABLE BOARD - W101062**
5/8"x4"x41 1/8" (16.0x102.0x1044.0)

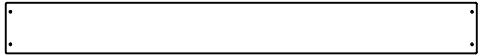
STEP 59



Y3

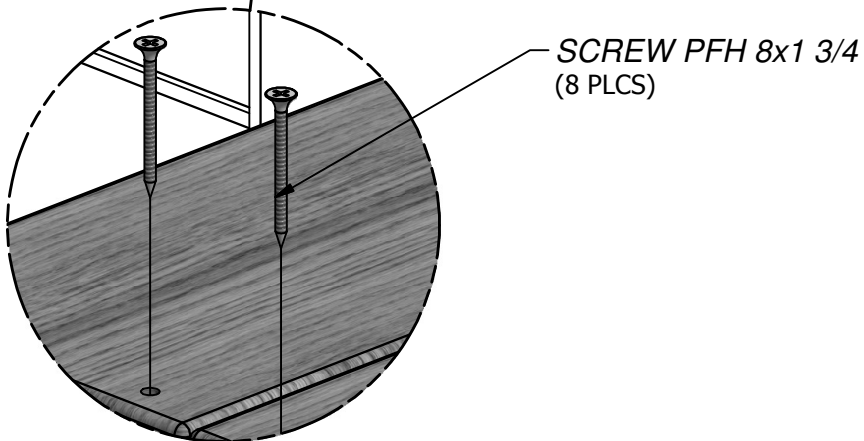
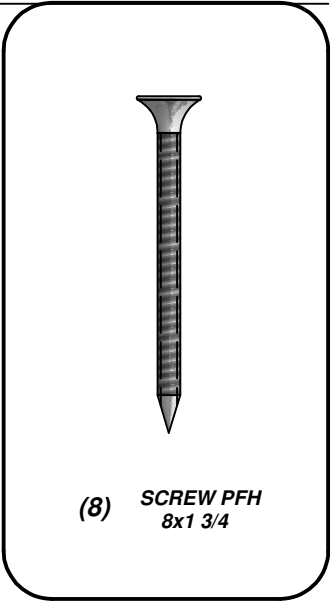
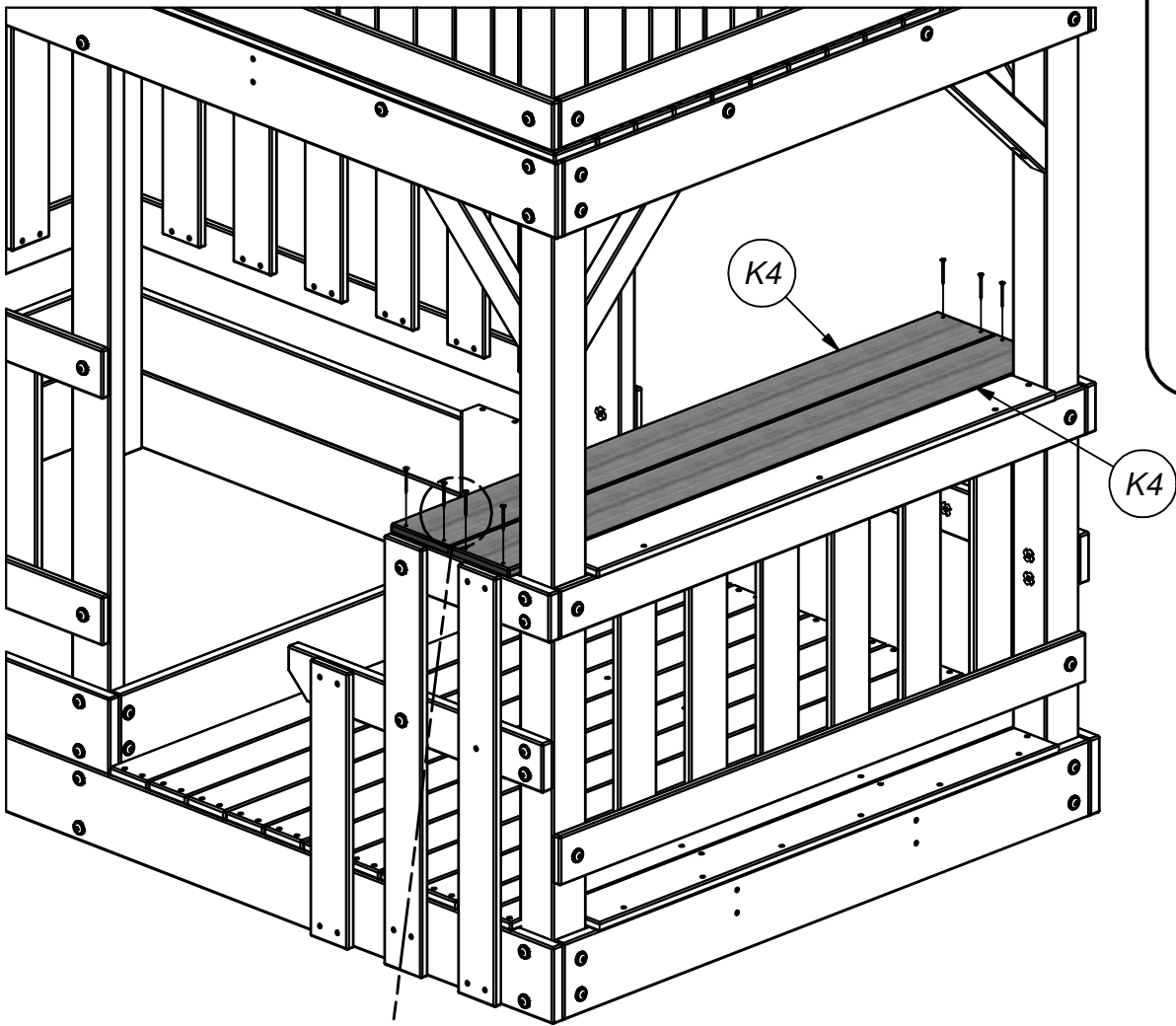
SCREW PFH 8x1 3/4
(5 PLCS)

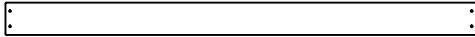




(2) **K4 - PICNIC TABLE BOARD - W101059**
5/8"x5 1/4"x49" (16.0x134.0x1246.0)

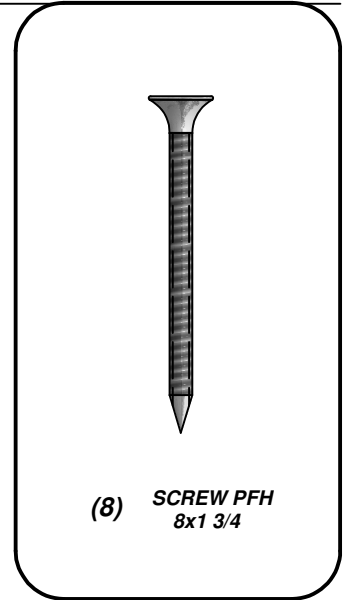
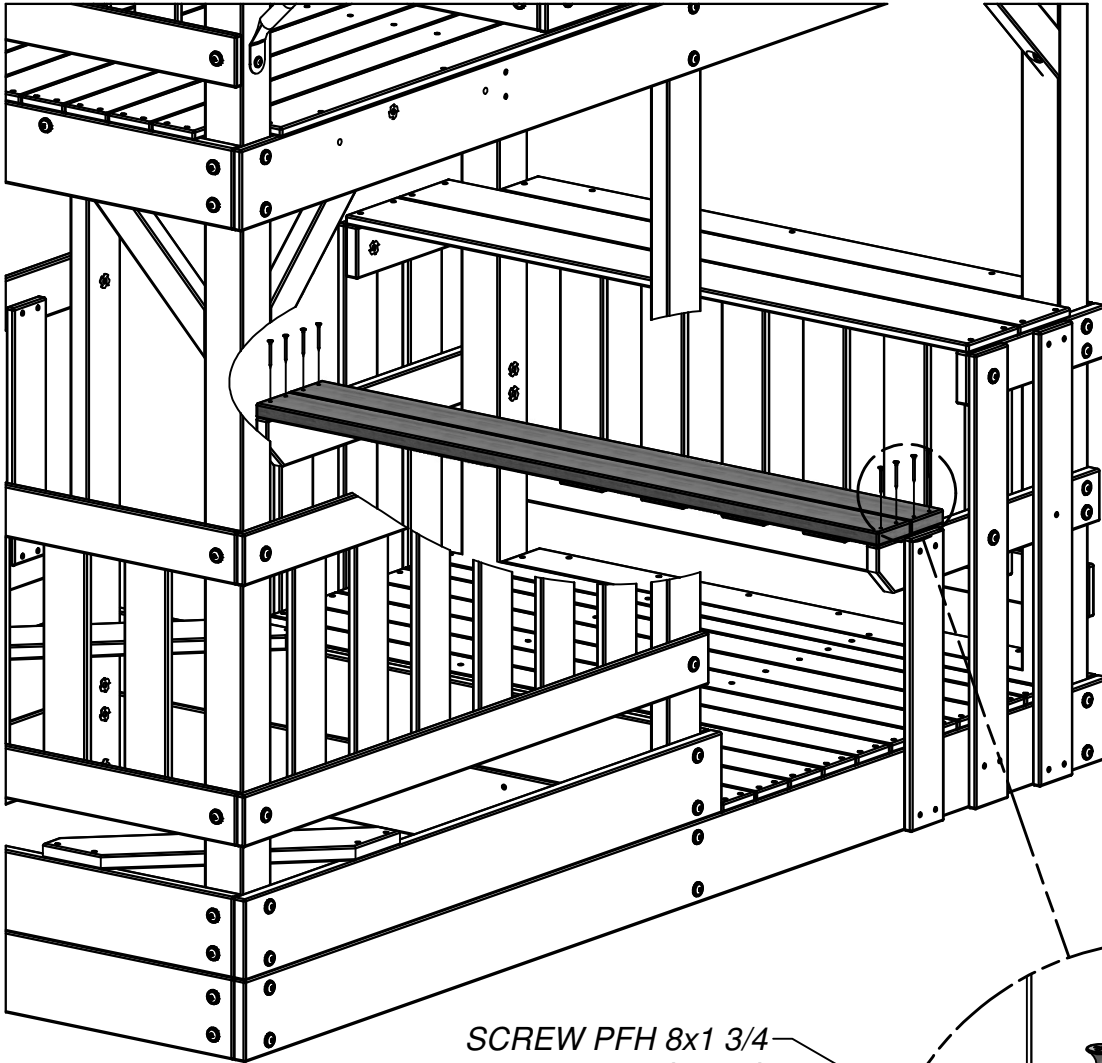
STEP 60



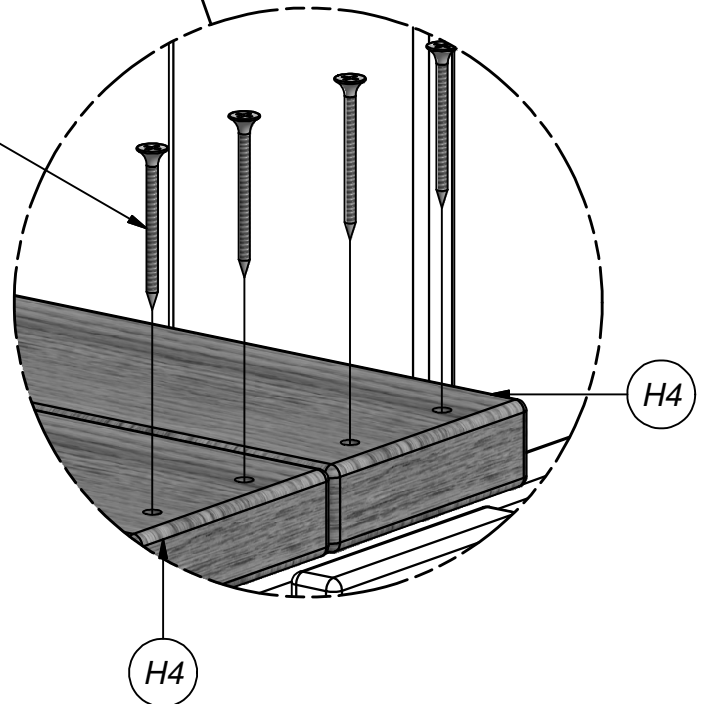


(2) H4 - PICNIC TABLE / SEAT - W101060
1"x3 3/8"x49" (24.0x86.0x1246.0)

STEP 61



SCREW PFH 8x1 3/4
(8 PLCS)





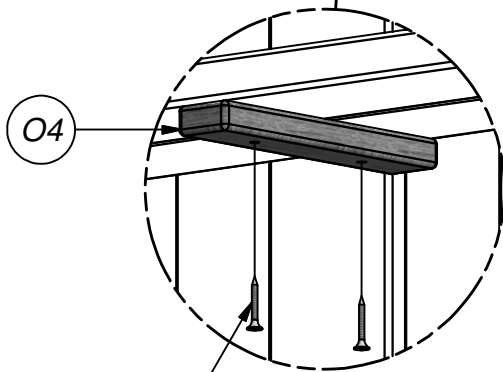
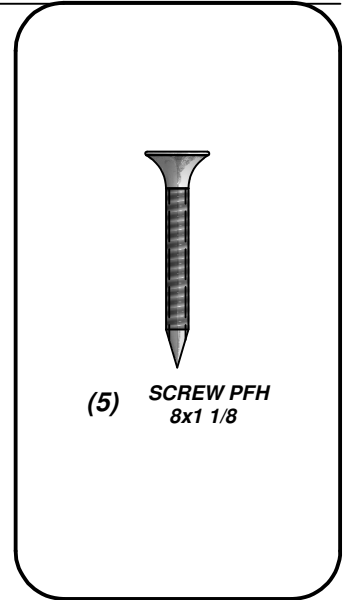
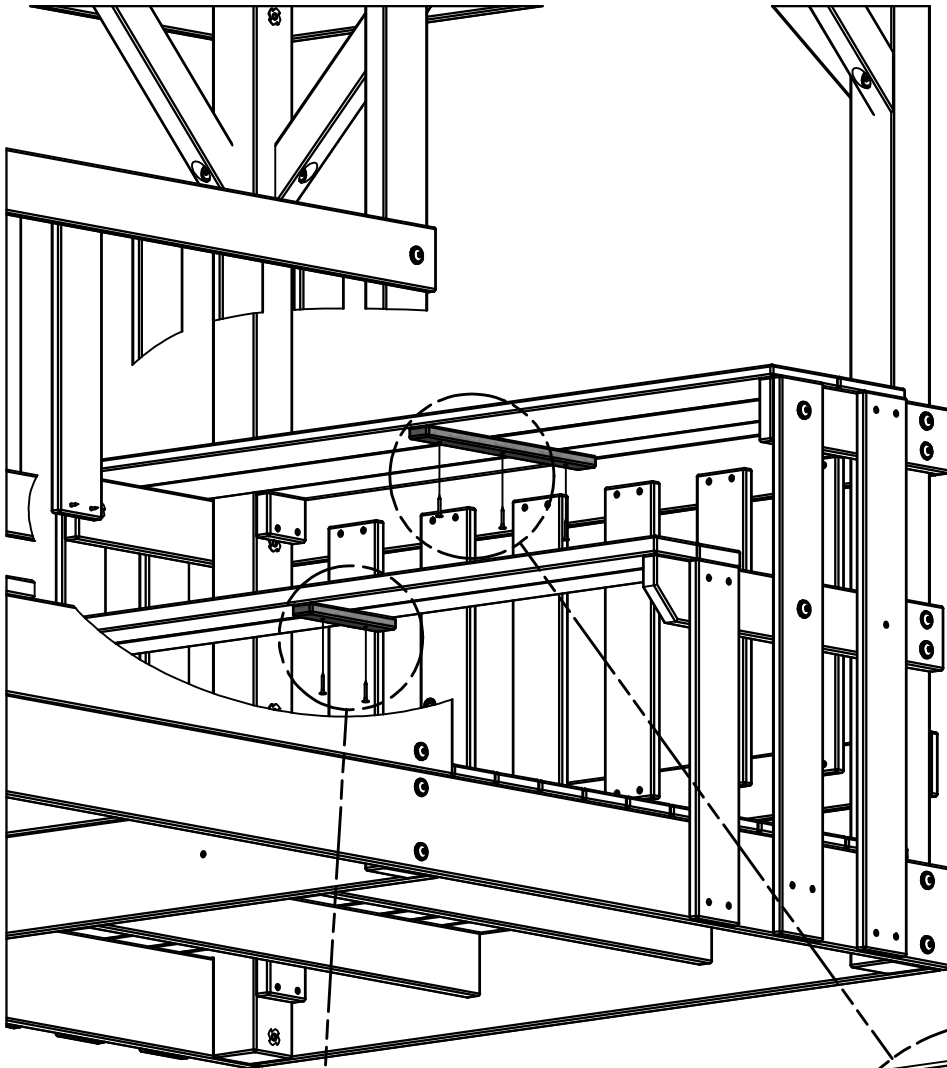
(1) **O2 - PICNIC TABLE SUPPORT - W101066**
 5/8"x1 3/8"x13 3/8" (16.0x34.0x340.0)



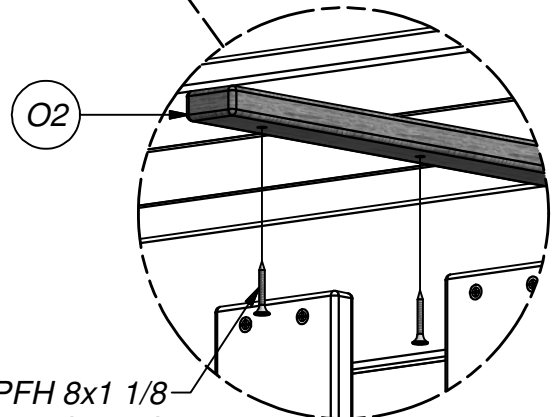
(1) **O4 - PICNIC TABLE SEAT SUPPORT - W101065**
 5/8"x1 3/8"x6 3/4" (16.0x34.0x172.0)

STEP 62

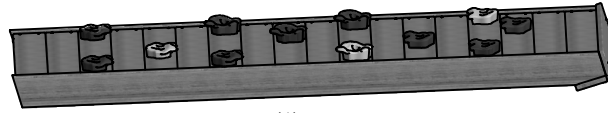
CENTER CLEATS AND ATTACH.



SCREW PFH 8x1 1/8
 (2 PLCS)

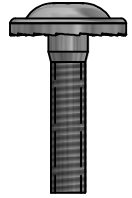
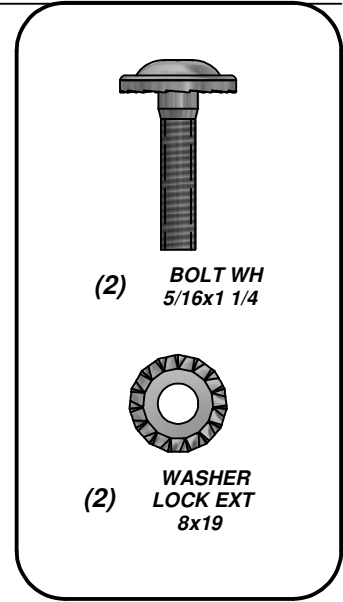
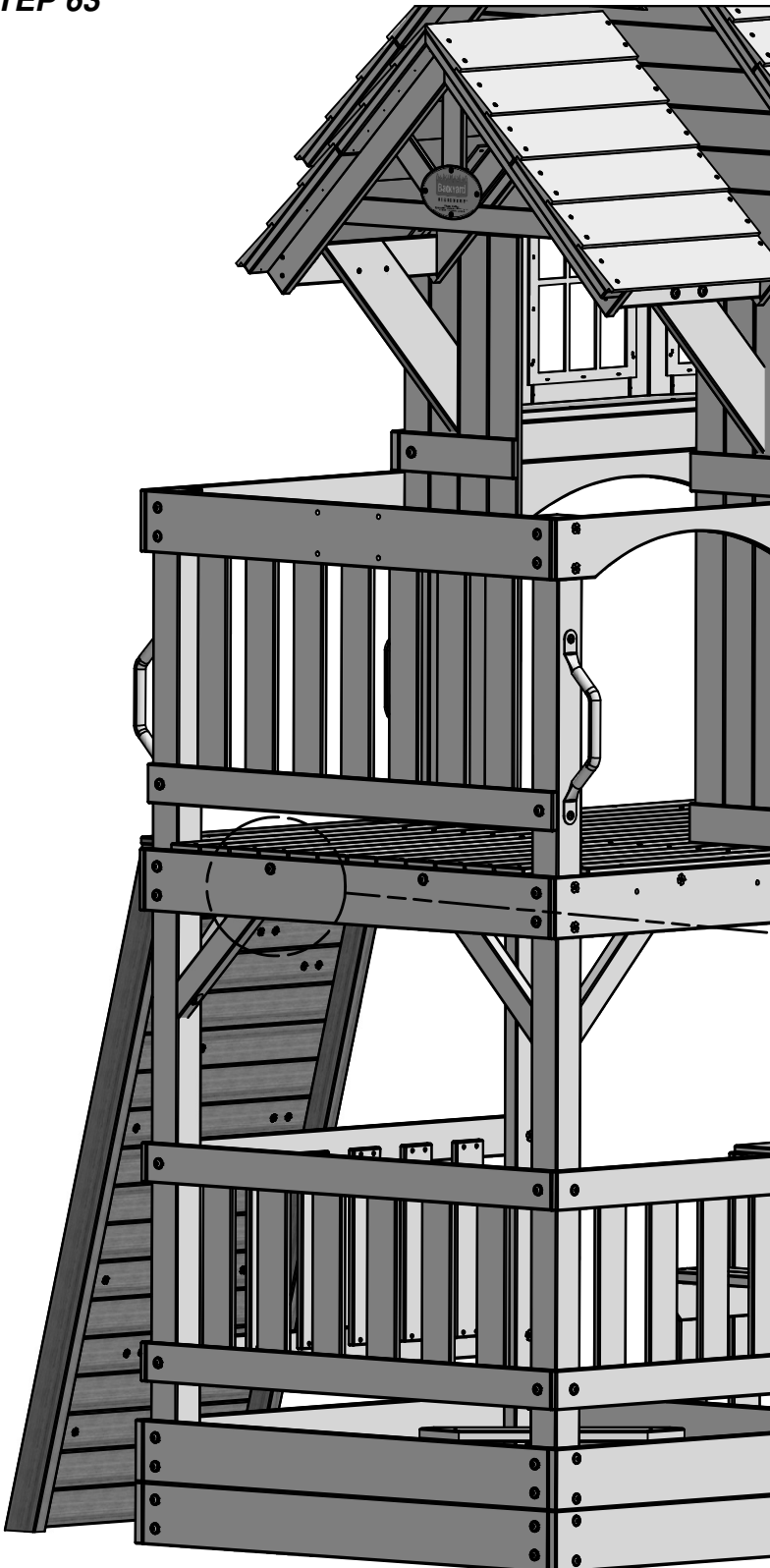


SCREW PFH 8x1 1/8
 (3 PLCS)

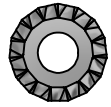


(1) ROCK WALL ASSEMBLY

STEP 63

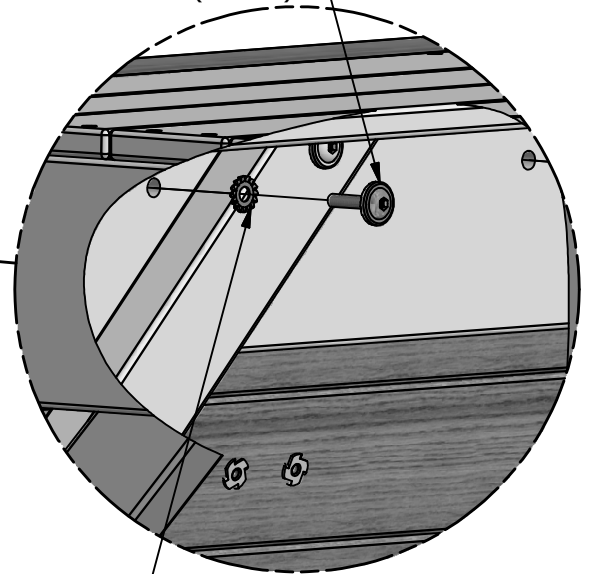


(2) BOLT WH
5/16x1 1/4

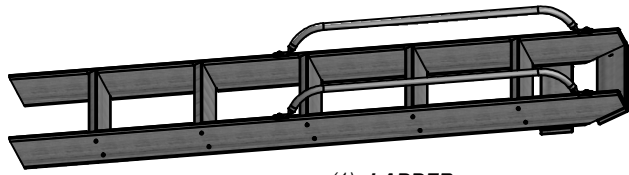


(2) WASHER
LOCK EXT
8x19

BOLT WH 5/16x1 1/4
(2 PLCS)

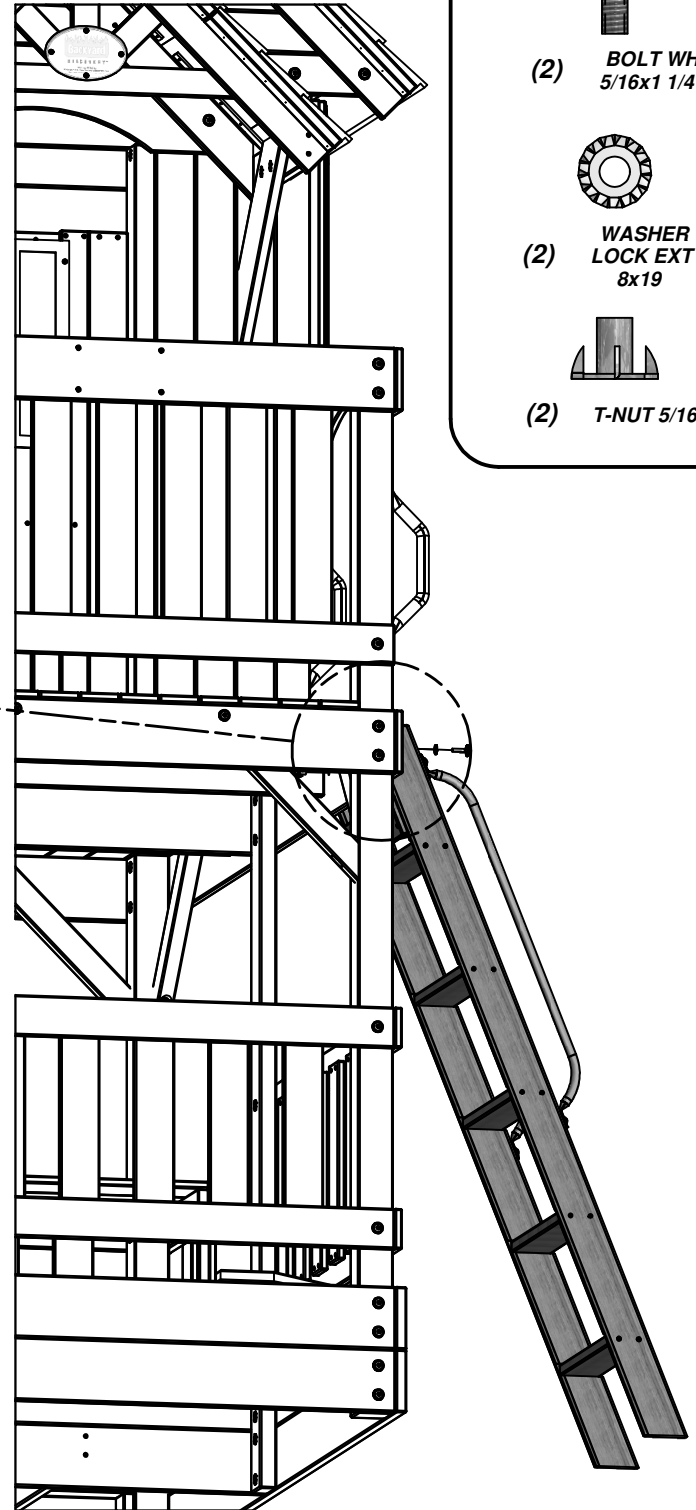
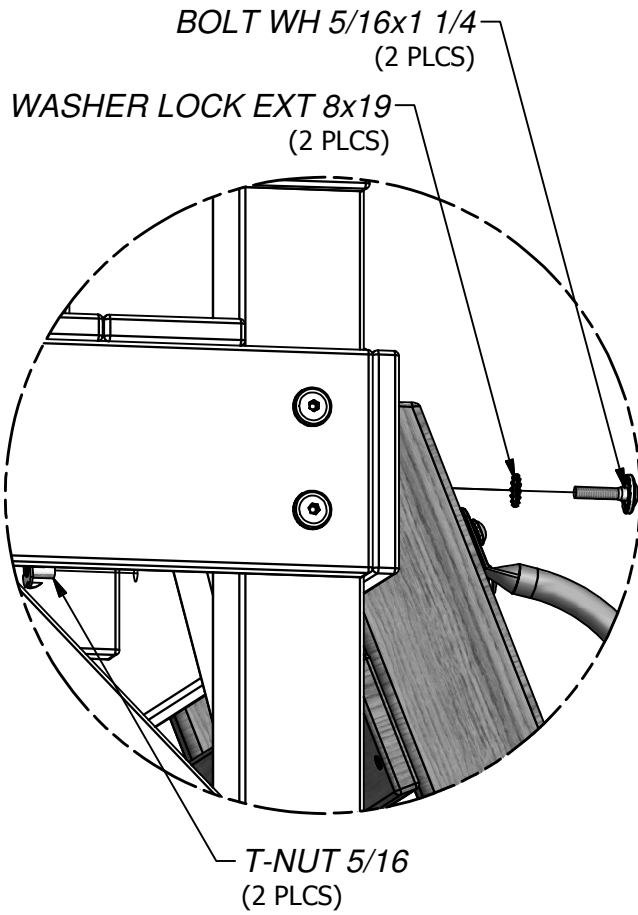


WASHER LOCK EXT 8x19
(2 PLCS)



(1) LADDER

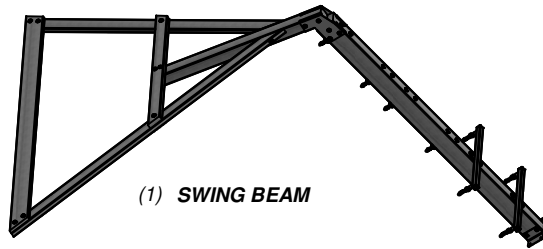
STEP 64



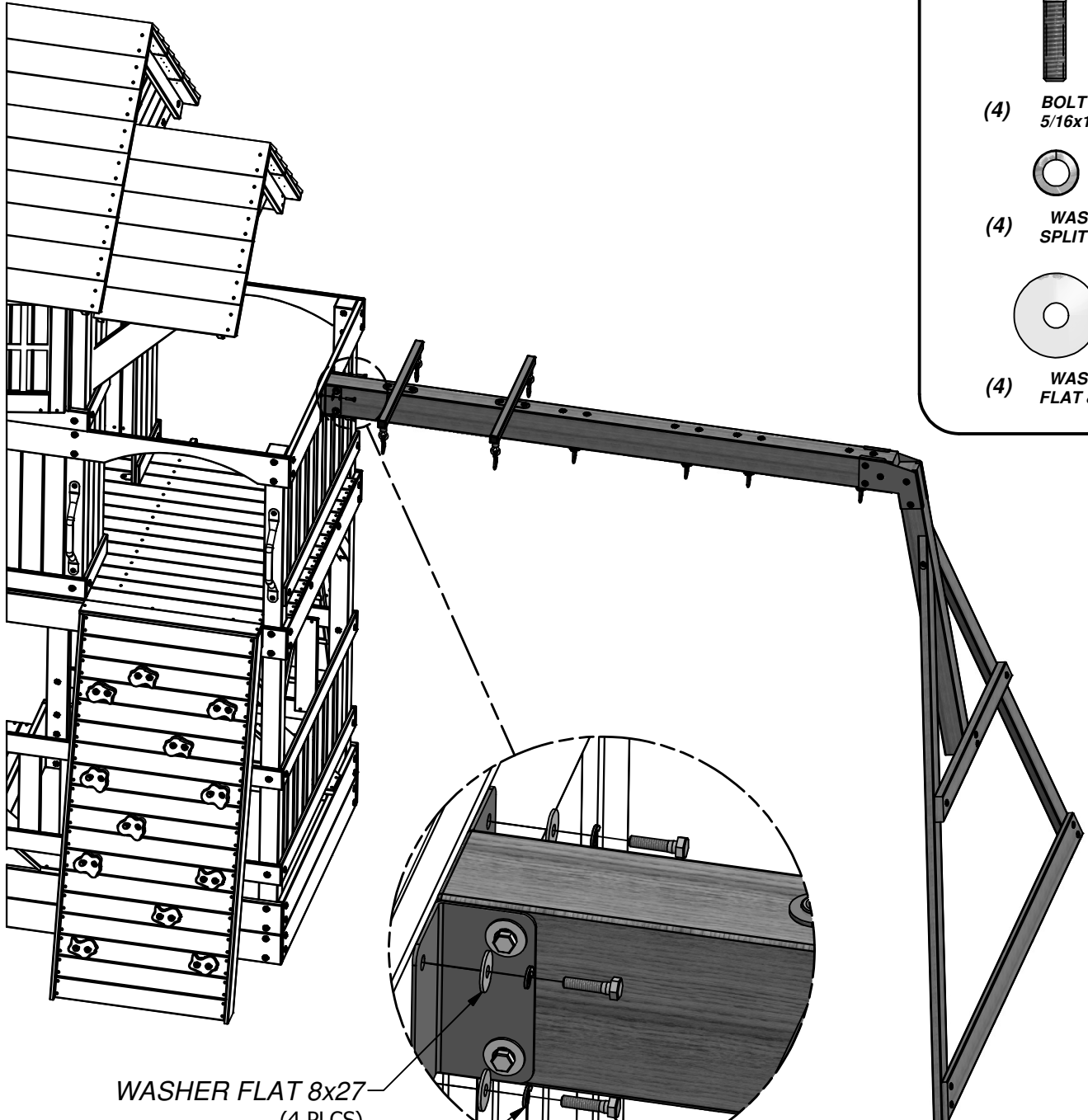
(2) BOLT WH 5/16x1 1/4

(2) WASHER LOCK EXT 8x19

(2) T-NUT 5/16



STEP 65



(4) BOLT HEX 5/16x1 1/4

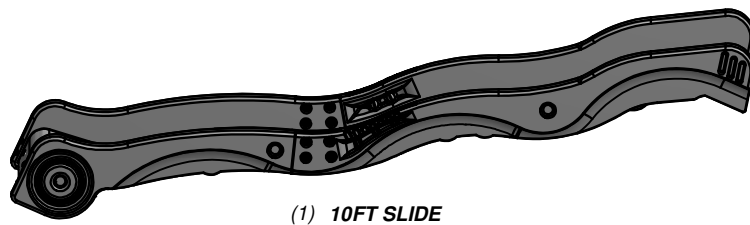
(4) WASHER SPLIT 5/16

(4) WASHER FLAT 8x27

WASHER FLAT 8x27
(4 PLCS)

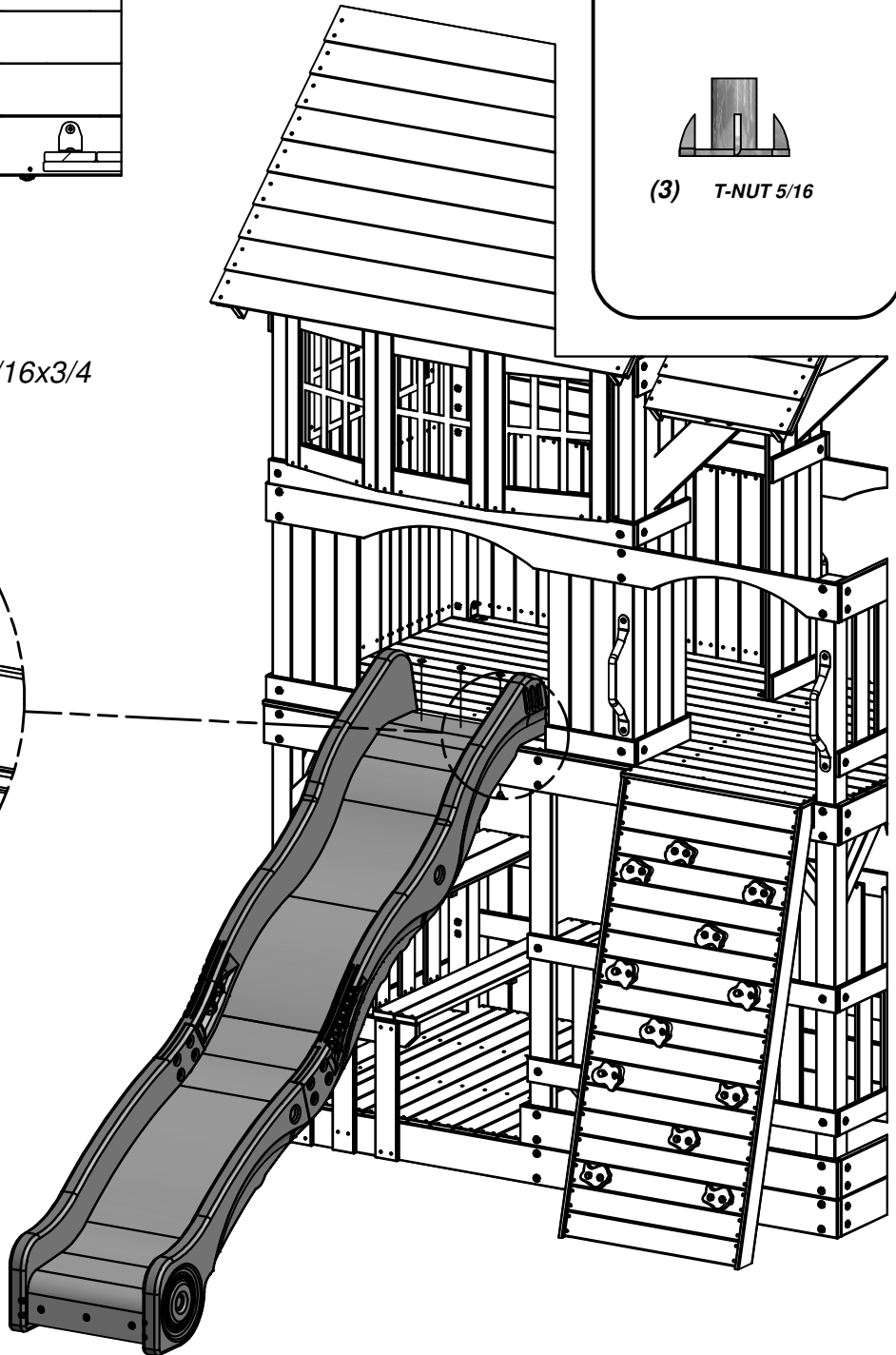
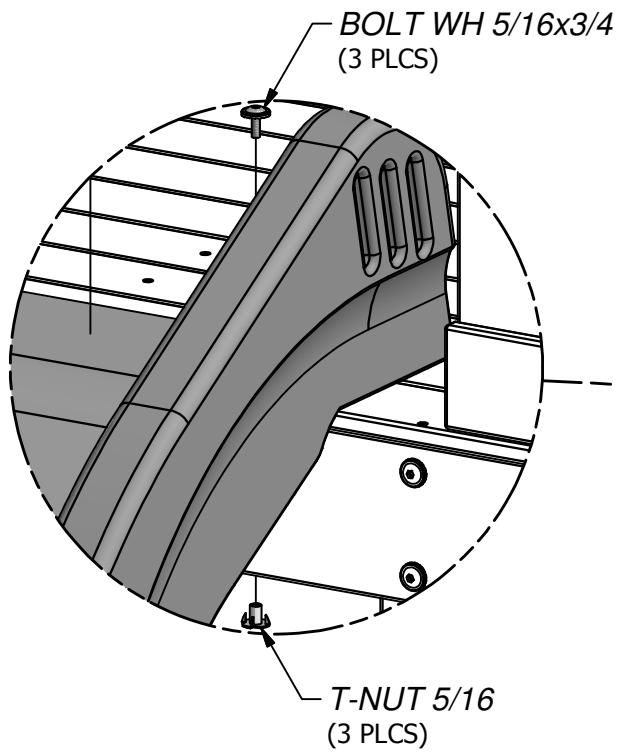
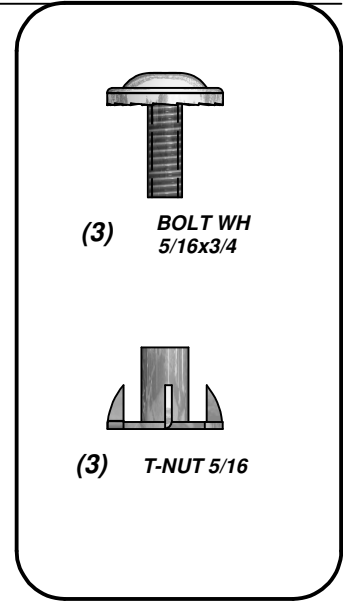
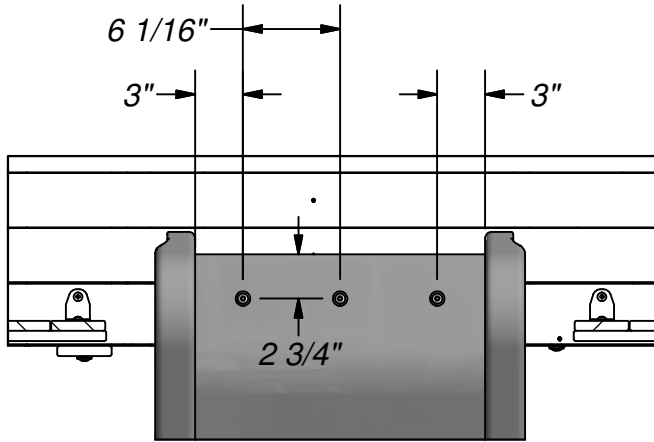
WASHER SPLIT 5/16
(4 PLCS)

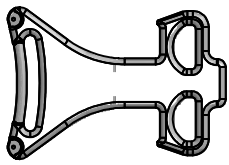
BOLT HEX 5/16x1 1/4
(4 PLCS)



(1) 10FT SLIDE

STEP 66





(2) DJ - GLIDER ARM LIGHT GREEN - A100021



(1) DN - GLIDER SEAT DARK GREEN - A100025



(2) DP - SWING SEAT GREEN - A100027

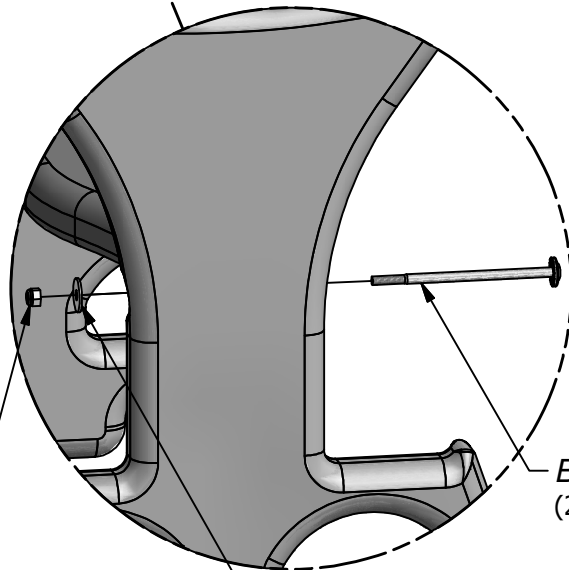
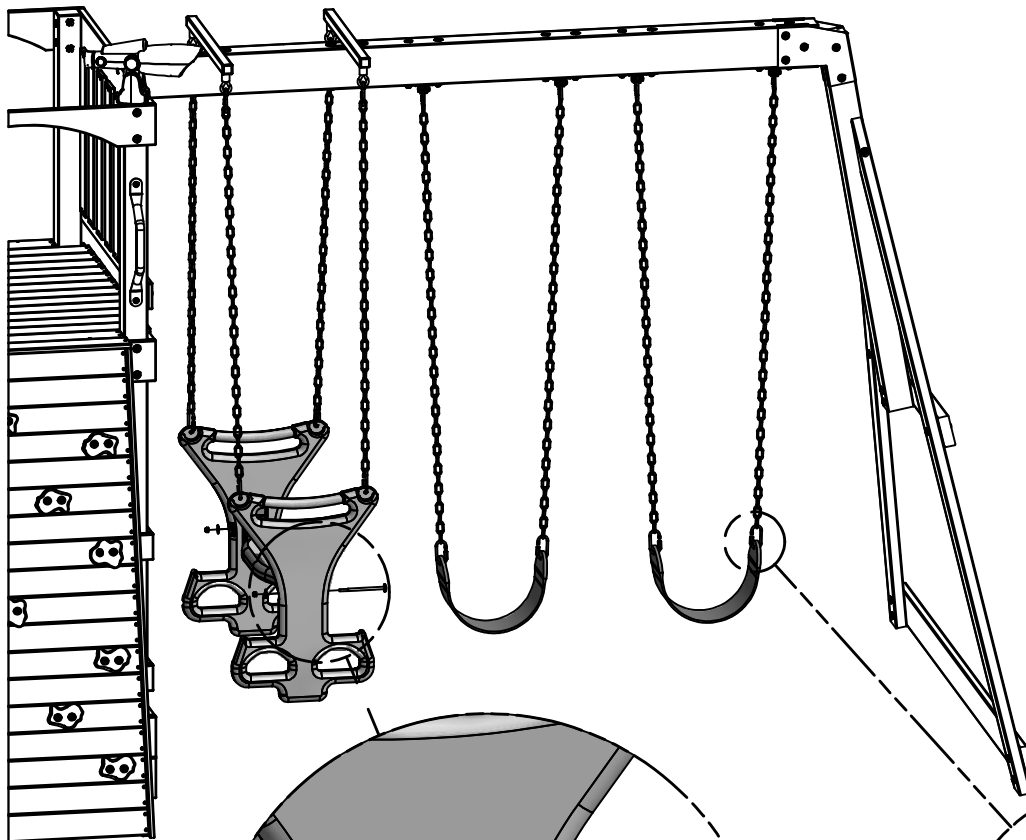
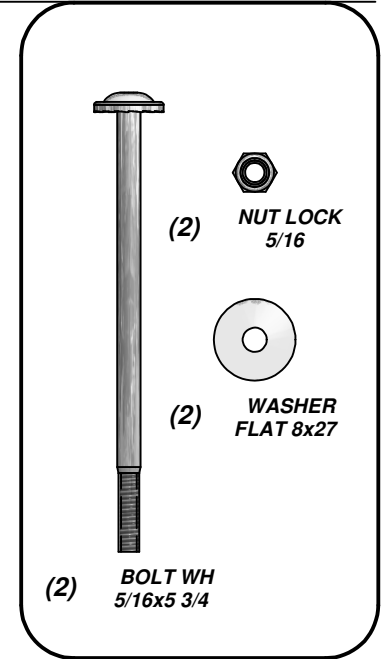
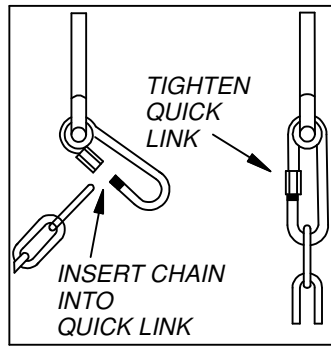
(4) FT - CHAIN GREEN 47" - A100096

(4) EF - CHAIN GREEN 57" - A100047



(8) FA - QUICK LINK - A100069

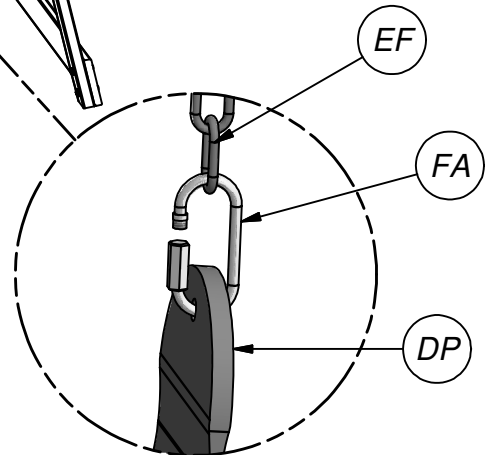
STEP 67



NUT LOCK 5/16 (2 PLCS)

BOLT WH 5/16x5 3/4 (2 PLCS)

WASHER FLAT 8x27 (2 PLCS)



Anchoring Instructions

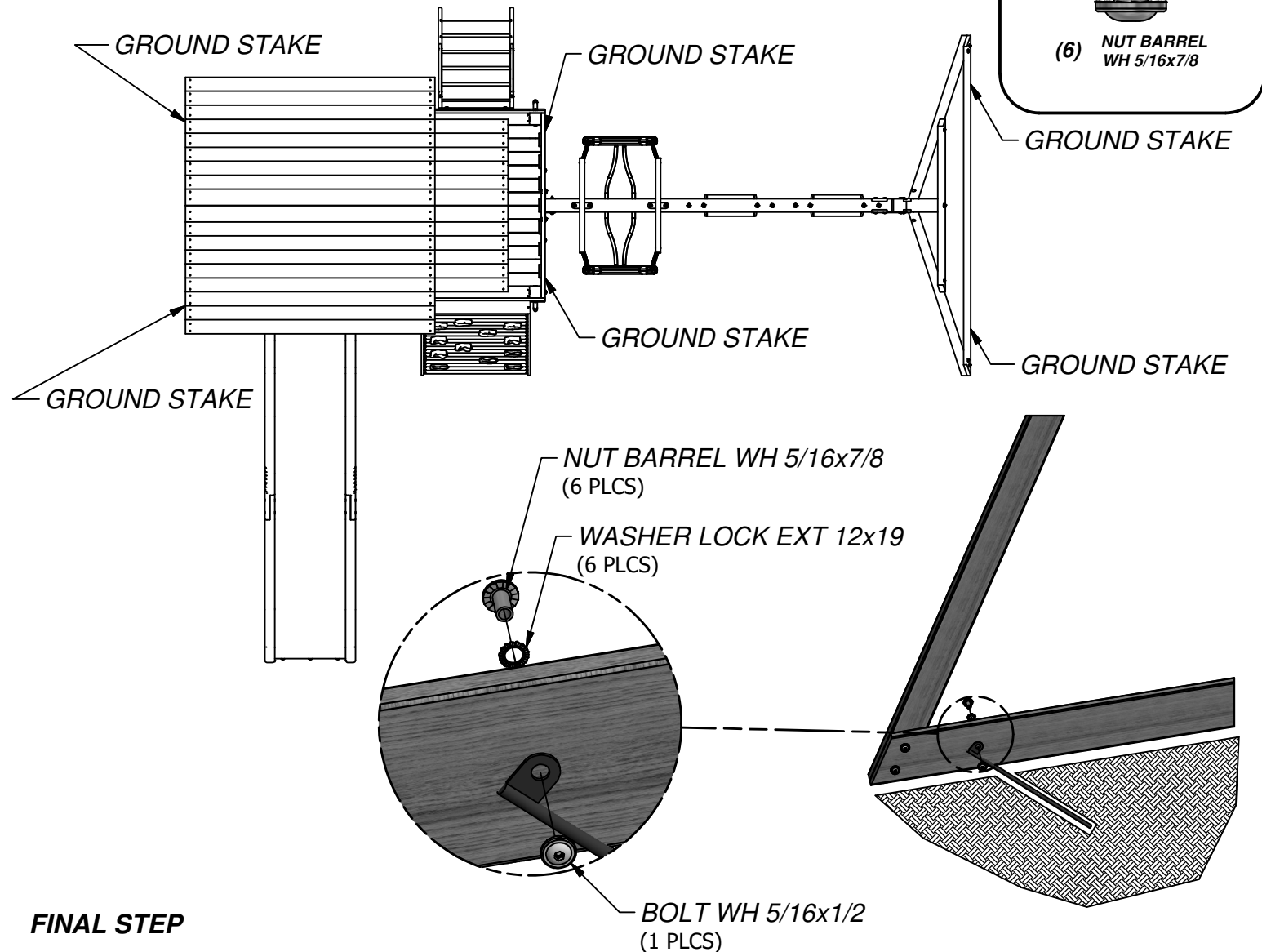
STEP 68

TAP IN GROUND STAKES AT AN APPROXIMATE 45° ANGLE AT THE LOCATIONS SHOWN. USING GROUND STAKES AS A GUIDE, DRILL 7/16" DIA HOLES.

NOTE:

1. YOU WILL NEED TO REMOVE SOME FLOOR BOARDS TO INSTALL THE GROUND STAKE HARDWARE.

2. FAILURE TO USE GROUND STAKES CAN VOID WARRANTY & CAUSE INJURY!



FINAL STEP

DOUBLE CHECK EVERY BOLT, SCREW AND NUT FOR TIGHTNESS. MAKE SURE EVERY BOARD IS SECURE AND MAKE SURE THE PLAY SET IS LEVEL.

ENJOY YOUR NEW PLAY SET!

Limited Warranty

This Limited Warranty by Backyard Discovery applies to products manufactured under the Backyard Discovery brand or its other brands including but not limited to Backyard Botanical, Adventure Playsets, and Leisure Time Products.

Backyard Discovery warrants that this product is free from defect in materials and workmanship for a period of one (1) year from the original date of purchase. This one (1) year warranty covers all parts including wood, hardware, and accessories. All wood carries a five (5) year pro-rated warranty against rot and decay. Refer to the schedule below for charges associated with replacement of parts under this Limited Warranty. In addition, Backyard Discovery will replace any parts within the first 30 days from date of purchase found to be missing from or damaged in the original packaging.

This warranty applies to the original owner and registrant and is **non-transferable**. Regular maintenance is required to assure maximum life and performance of this product and failure by the owner to maintain the product according to the maintenance requirements may void this warranty. Maintenance guidelines are provided in the Owner's Manual.

This Limited Warranty does not cover:

- Labor for any inspection
- Labor for replacement of any defective item(s)
- Incidental or consequential damages
- Cosmetic defects which do not affect performance or integrity of a part or the entire product
- Vandalism, improper use, failure due to loading or use beyond the capacities stated in the applicable Assembly Manual.
- Acts of nature including but not limited to wind, storms, hail, floods, excessive water exposure
- Improper installation including but not limited to installation on uneven, unlevel, or soft ground
- Minor twisting, warping, checking, or any other natural occurring properties of wood that do not affect performance or integrity

Backyard Discovery products have been designed for safety and quality. Any modifications made to the original product could damage the structural integrity of the unit leading to failure and possible injury. Modification voids any and all warranties and Backyard Discovery assumes no liability for any modified products or consequences resulting from failure of a modified product.

This product is warranted for RESIDENTIAL USE ONLY. Under no circumstance should a Backyard Discovery product be used in public settings. Such use may lead to product failure and potential injury. Any and all public use will void this warranty. Backyard Discovery disclaims all other representations and warranties of any kind, express or implied.

This Warranty gives you specific legal rights. You may have other rights as well which vary from state to state or province to province. This warranty excludes all consequential damages, however, some states do not allow the limitation or exclusion of consequential damages and therefore this limitation may not apply to you.

Pro Rated Part Replacement Schedule

Product Age

All Parts

0-30 days from date of purchase

31 days to 1 year

Wood Rot and Decay Only

1 year

2 years

3 years

4 years

5 years

Over 5 years

Customer Pays

\$0 and free shipping

\$0 + S&H

\$0 and free shipping

20% + S&H

40% + S&H

60% + S&H

80% + S&H

100% + S&H